



INSTALLATION AND OPERATION MANUAL

Fan coil units

English language: Original Instructions
 All other language: Translation of the Original Instruction

FWV + FWZ



FWL + FWR



FWM + FWS



Installation and operation manual
 Fan coil units

English

Installations- und Bedienungsanleitung
 Ventilator-Konvektoren

Deutsch

Manuel d'installation et d'utilisation
 Ventilato-convecteurs

Français

Montagehandleiding en gebruiksaanwijzing
 Ventilator-convectoren

Nederlands

Manual de instalación y operación
 Fan coils

Español

Manuale d'installazione e d'uso
 Unità fan coil

Italiano

Εγχειρίδιο εγκατάστασης και λειτουργίας
 Κλιματιστικές μογάδες

Ελληνικά

Manual de instalação e de funcionamento
 Ventilato-convectores

Portugues

Инструкция по монтажу и эксплуатации
 Фанкойлы

русский

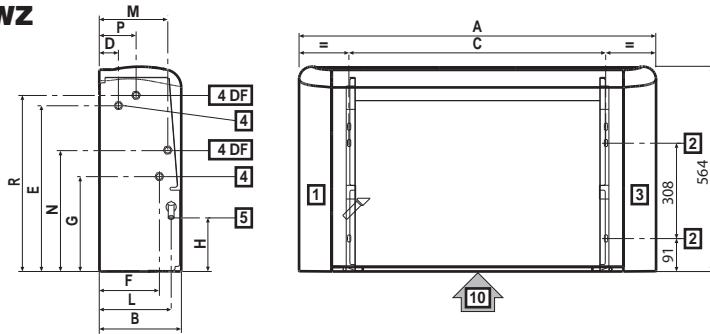
Handbok för installation och användning
 Fläktkonvektor

Svenskt

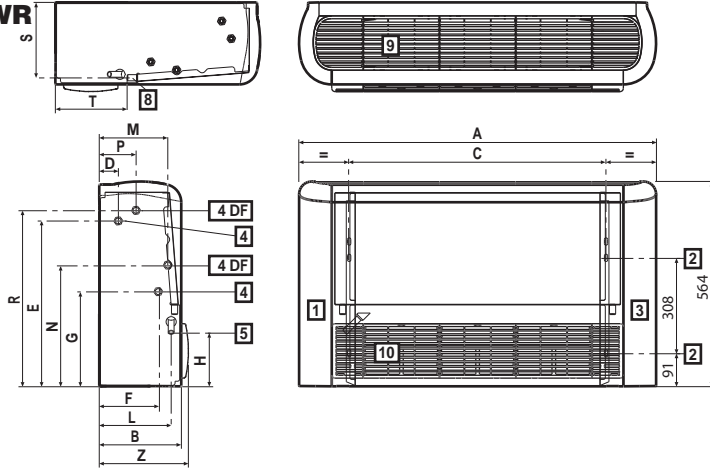
Instrukcja instalacji i obsługi
 Klimakonwektor

Polski

FWV+FWZ

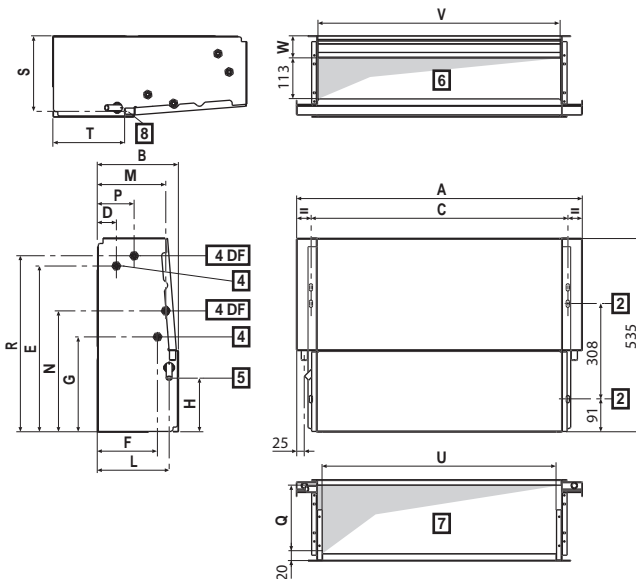


FWL+FWR



FWV+FWL+FWZ+FWR	A	B	C	D	E	F	G	H	L	M	N	P	R	S	T	Z
01+15+02+25	774	226	498	51	458	163	263	149	198	187	335	99	486	208	198	246
03+35	984	226	708	51	458	163	263	149	198	187	335	99	486	208	198	246
04+06	1194	226	918	51	458	163	263	149	198	187	335	99	486	208	198	246
08+10	1404	251	1128	48	497	185	259	155	220	195	348	120	478	234	208	271

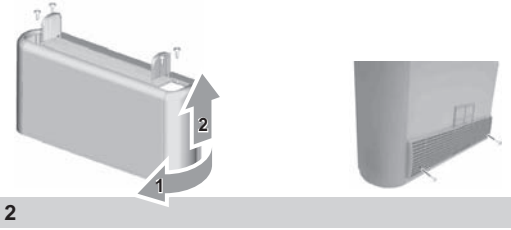
FWM+FWS



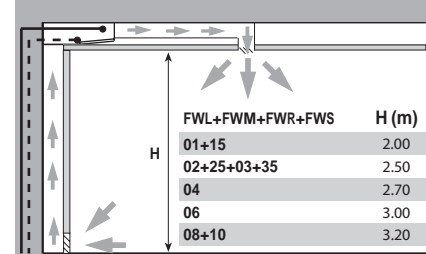
FWM+FWS	A	B	C	D	E	F	G	H	L	M	N	P	Q	R	S	T	U	V	W
01+15+02+25	584	224	498	51	458	163	263	149	198	187	335	99	189	486	208	198	436	464	61
03+35	794	224	708	51	458	163	263	149	198	187	335	99	189	486	208	198	646	674	61
04+06	1004	224	918	51	458	163	263	149	198	187	335	99	189	486	208	198	856	884	61
08+10	1214	249	1128	48	497	185	259	155	220	195	348	120	215	478	234	208	1066	1094	67

FWV+FWL+FWZ+FWR

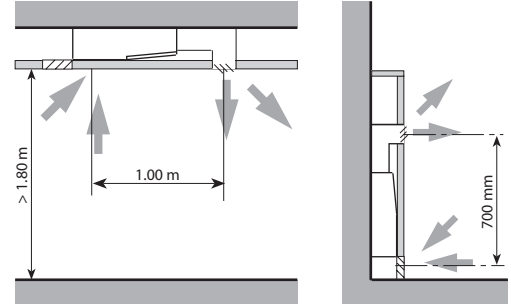
FWL+FWR



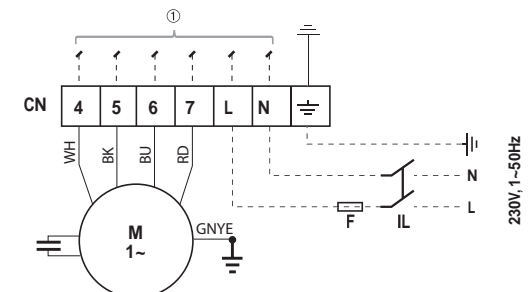
FWL+FWM+FWR+FWS



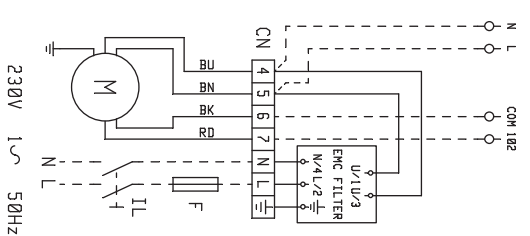
FWM+FWS



FWV+FWL+FWM



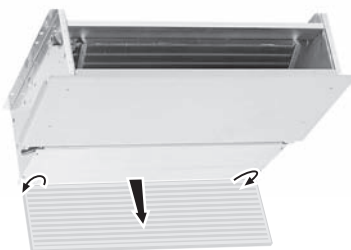
FWZ+FWR+FWS



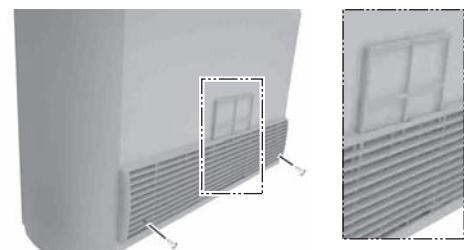
FWV+FWZ

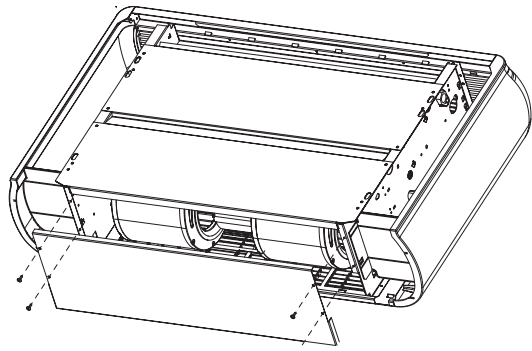


FWM+FWS



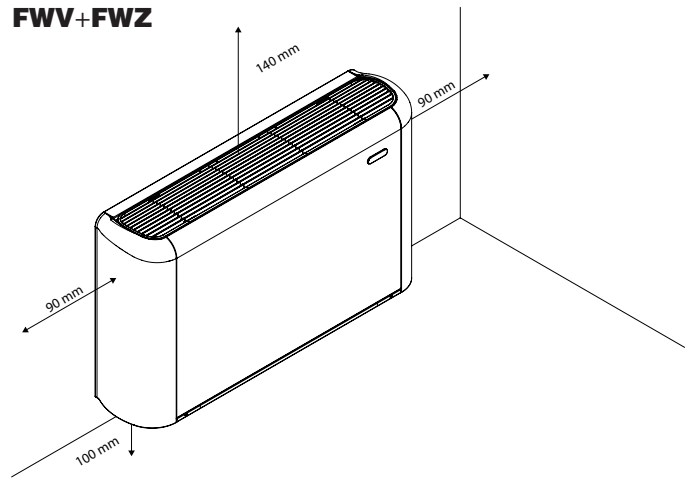
FWL+FWR





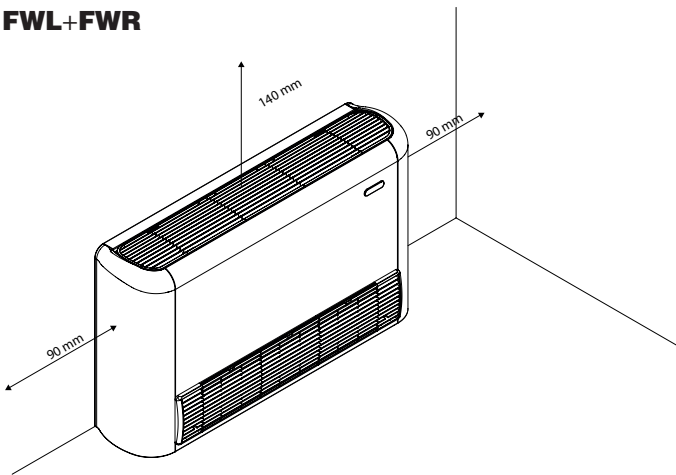
6

FWV+FWZ



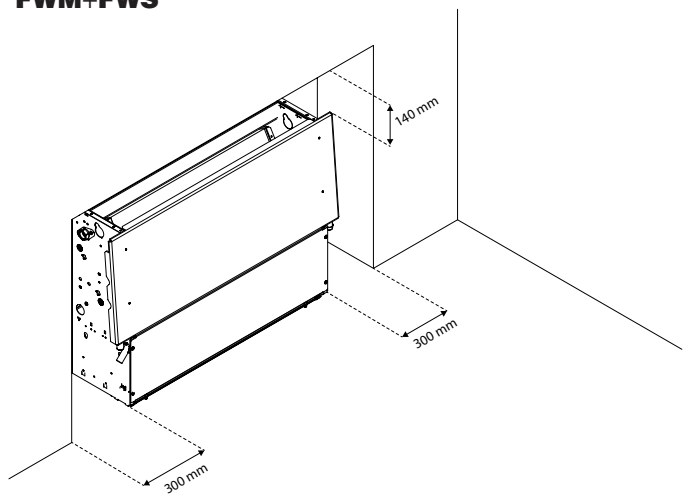
8

FWL+FWR



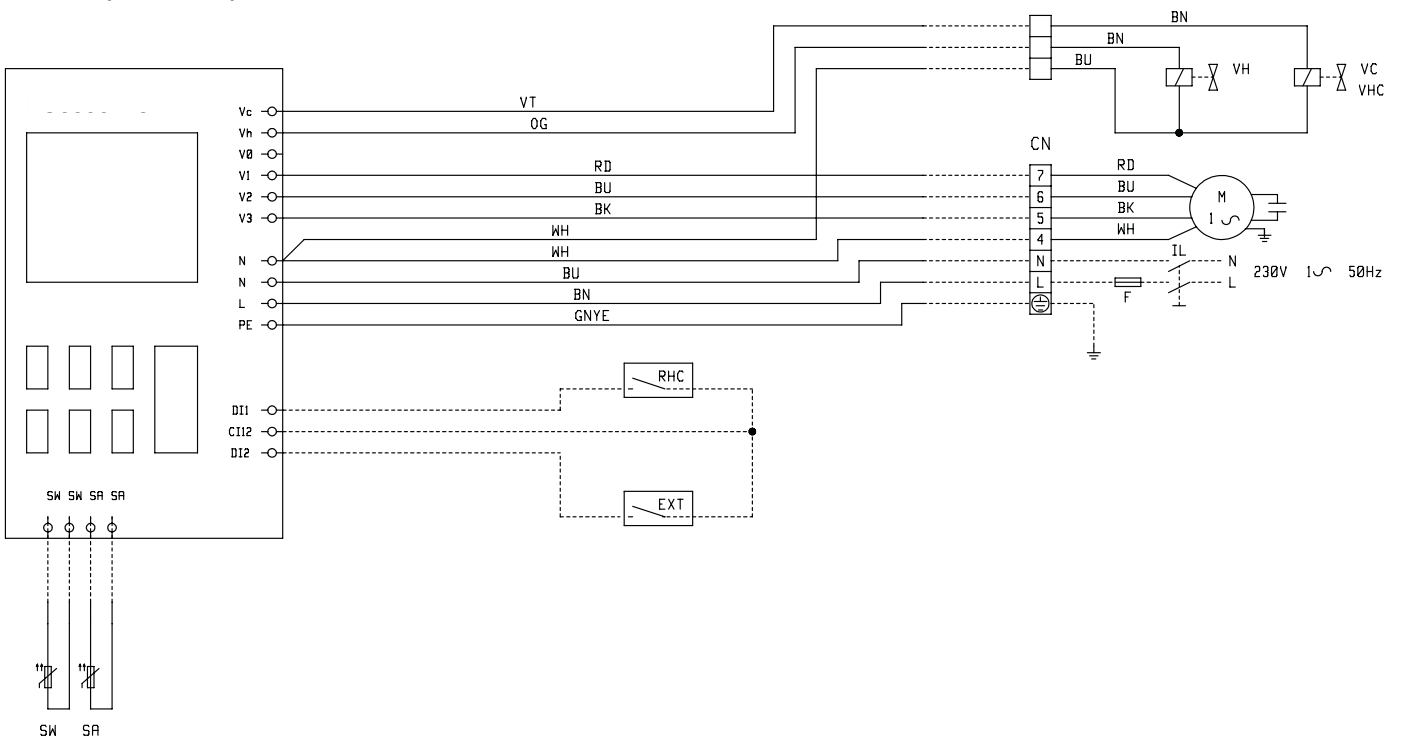
8

FWM+FWS

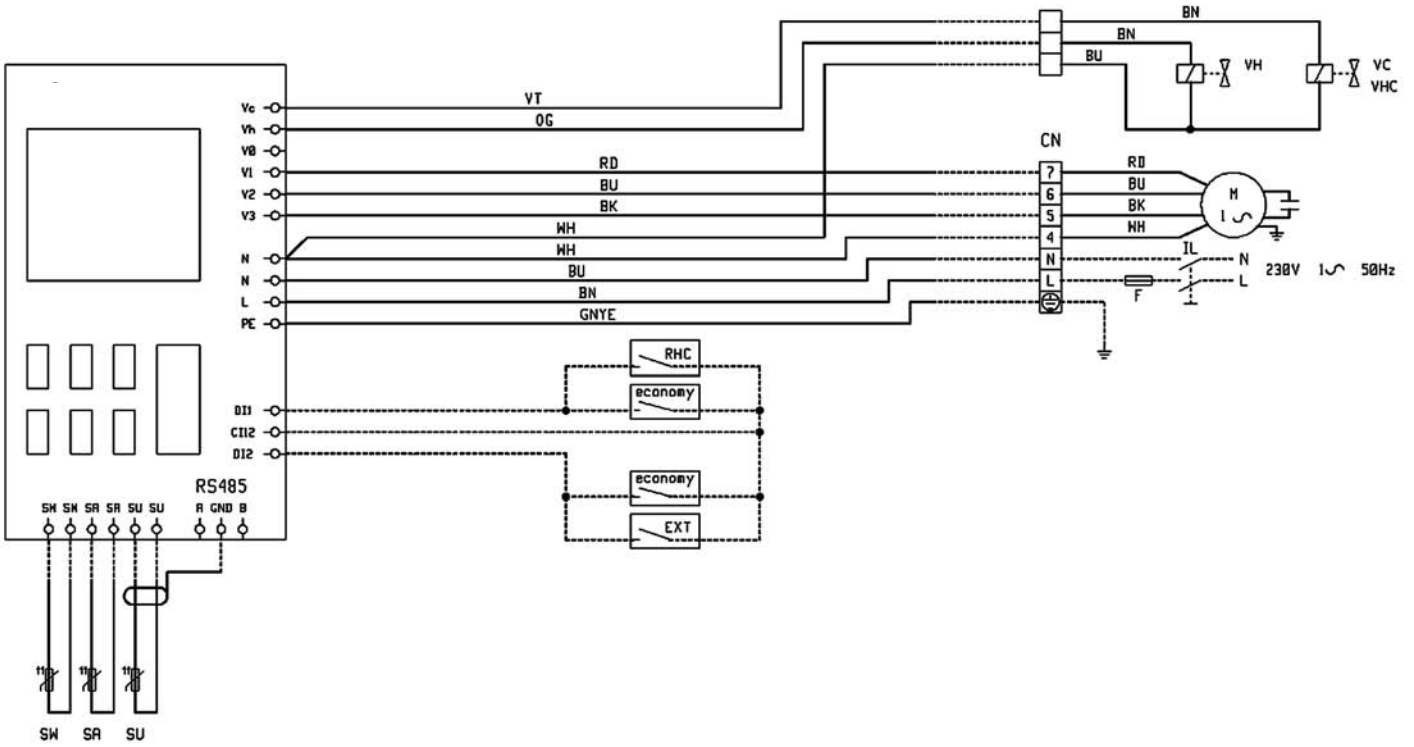


8

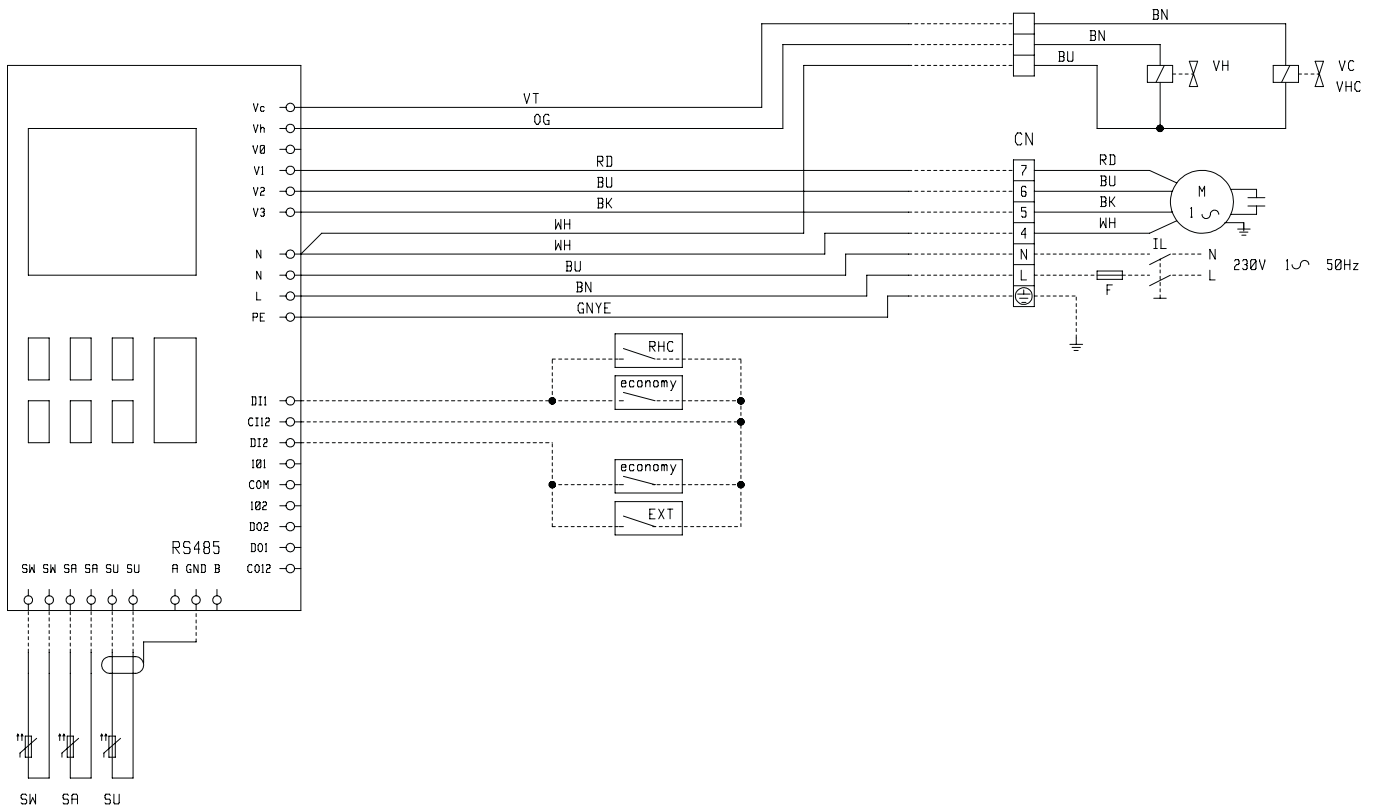
FWEC1 (FWV-L-M)



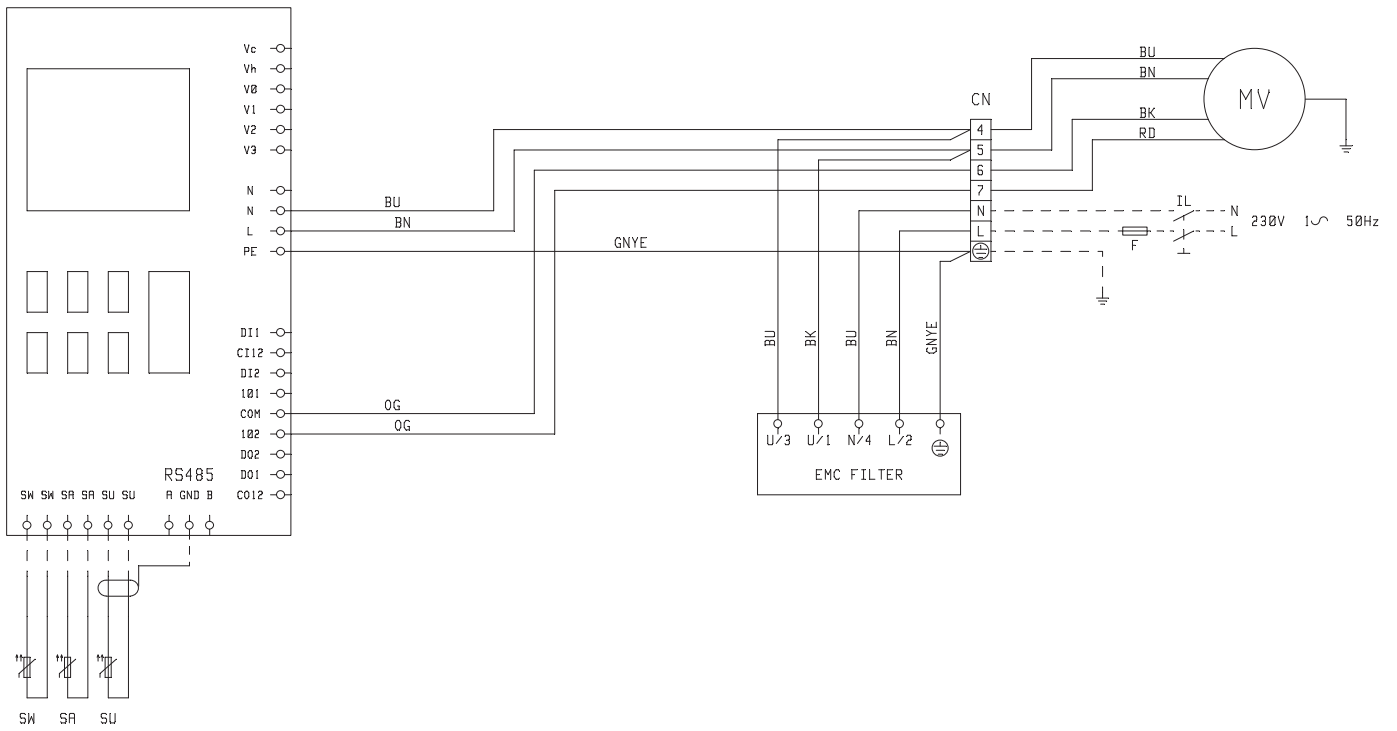
FWEC2 (FWV-L-M)



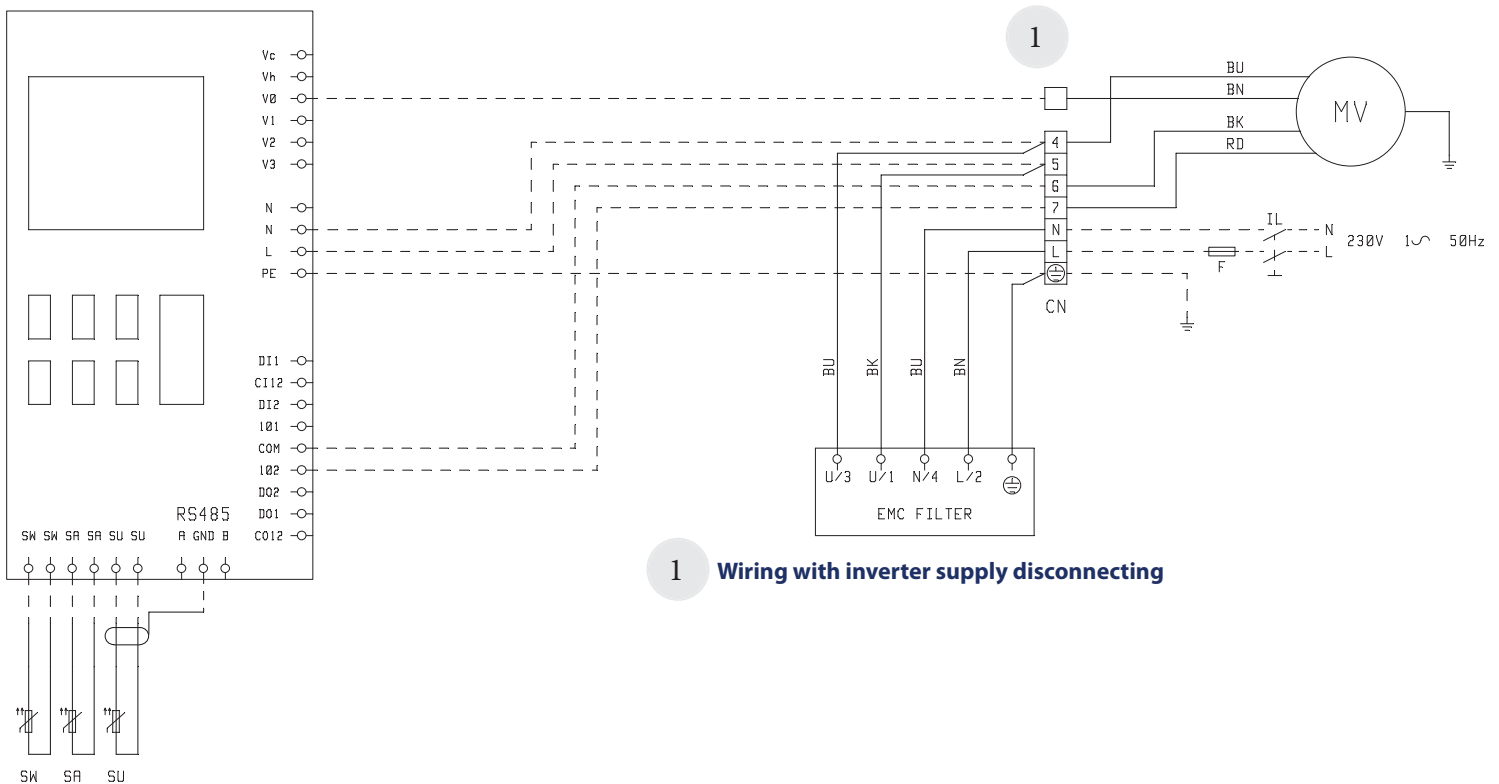
FWEC3 (FWV-L-M)



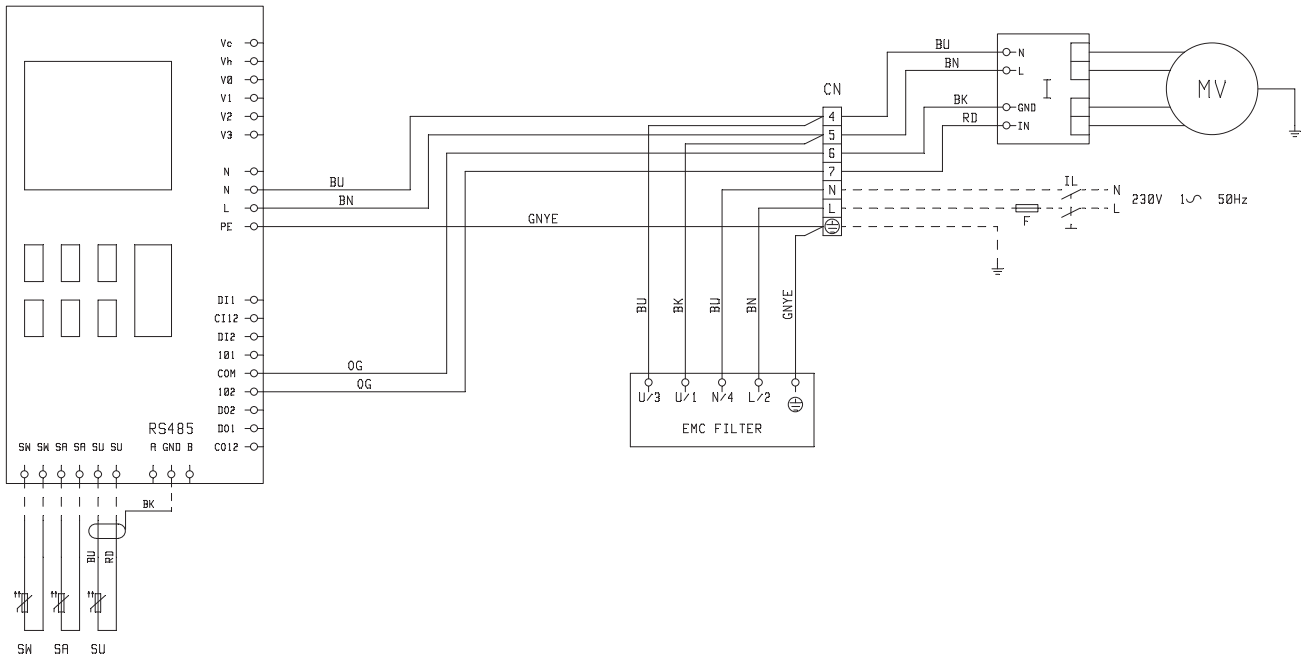
FWEC3 (FWZ-R-S) BLDC integrated



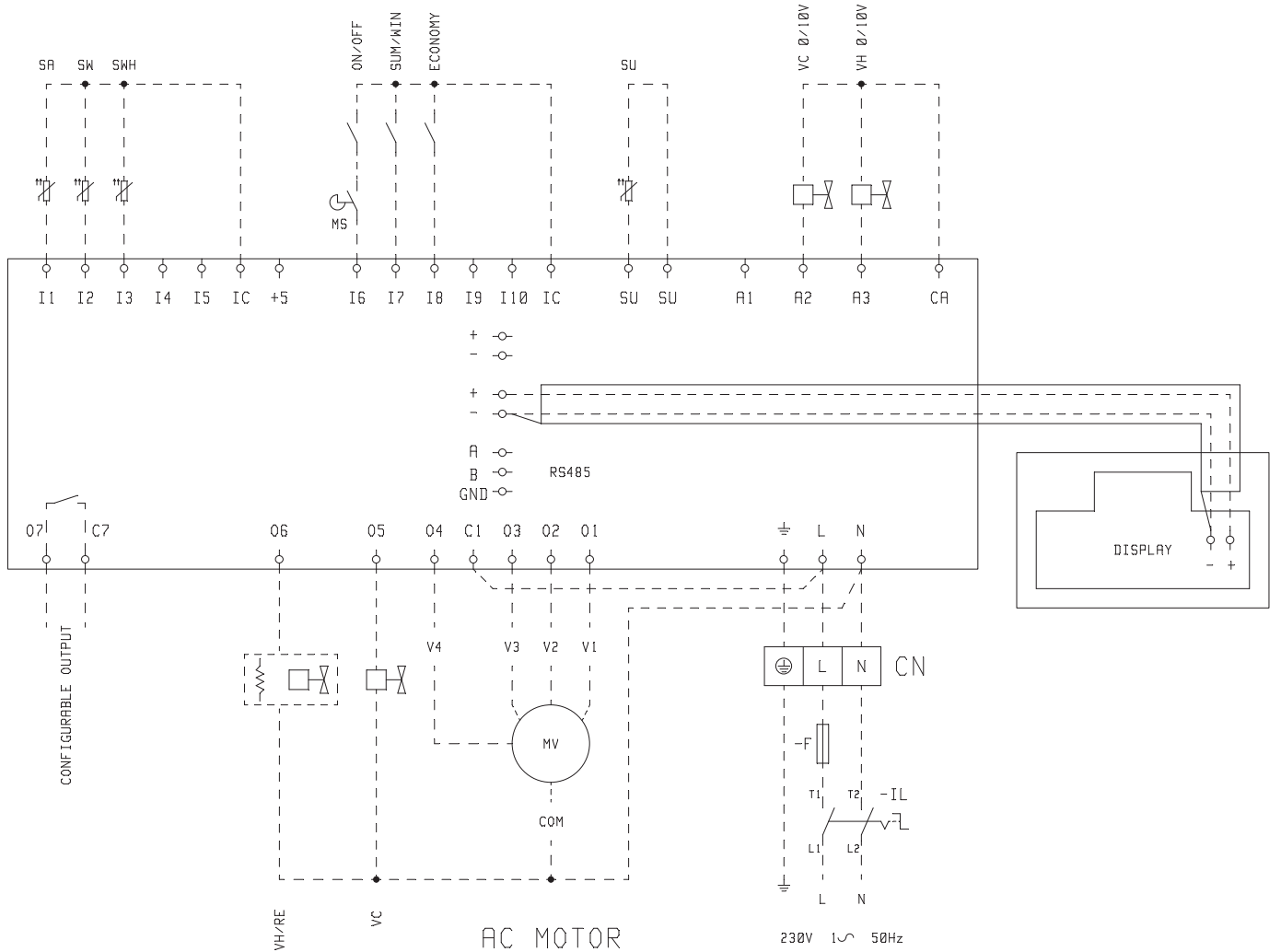
FWEC3 (FWZ-R-S) BLDC integrated



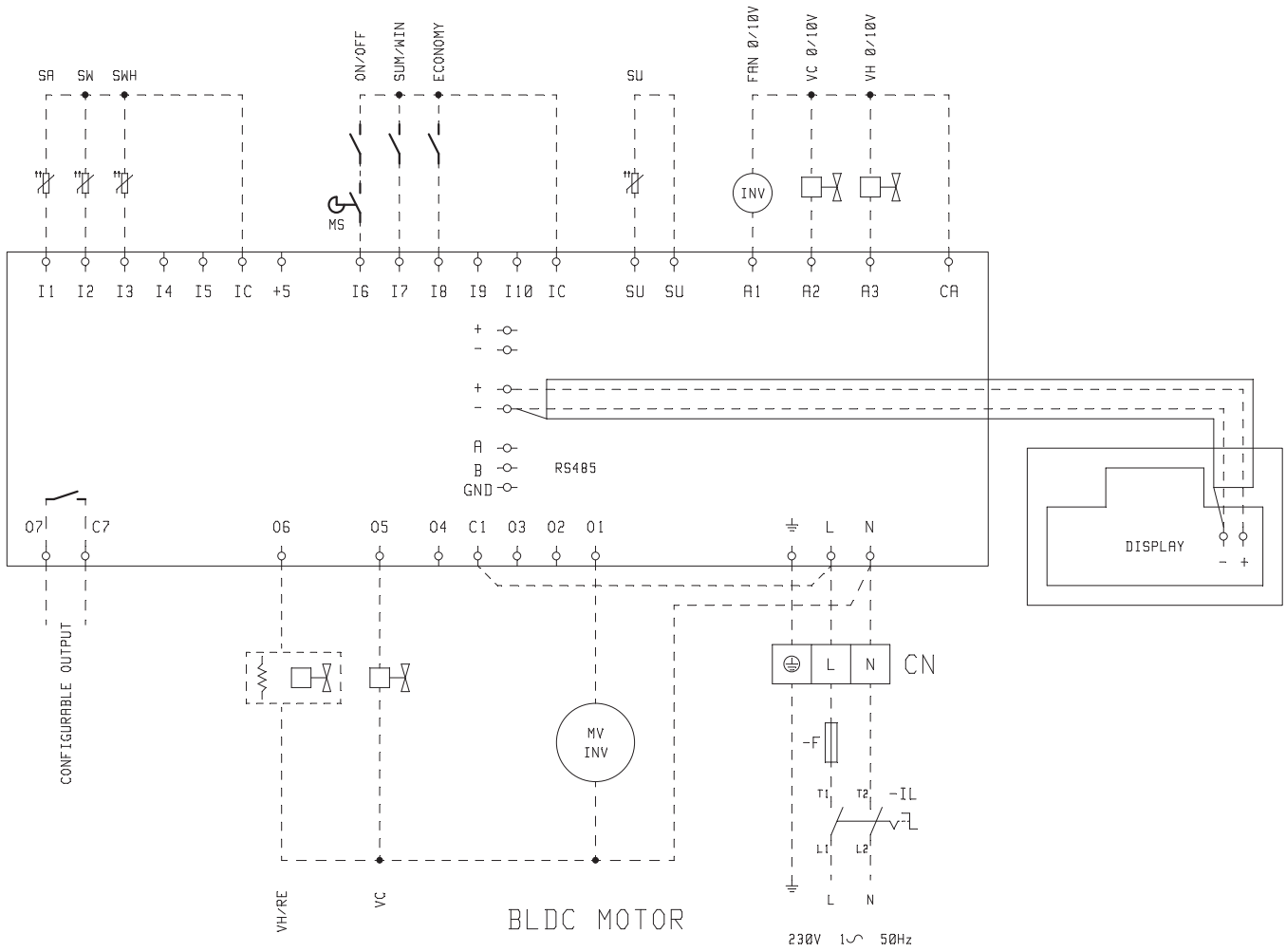
FWEC3 (FWZ-R-S) BLDC separate



FWEC3A (FWV-L-M) AC motor



FWECSA (FWZ-R-S) BLDC motor





Read this manual attentively before starting up the unit. Do not throw it away. Keep it in your files for future reference.

Improper installation or attachment of equipment or accessories could result in electric shock, short-circuit, leaks, fire or other damage to the equipment. Be sure only to use accessories made by Daikin which are specifically designed for the use with the equipment and have them installed by a professional.

If unsure of installation procedures or use, always contact your Daikin dealer for advice and information.



The optional EEH (electric heater kit) cannot be mounted on units which are set up for 2-pipe systems with 4-row coil and 4-pipe systems.

BEFORE INSTALLATION

Installation and maintenance should be carried out by technical personnel qualified for this type of machine, in compliance with current safety regulations.

When receiving the unit please check its state, verifying if any damage occurred during the transport.

Refer to the relevant technical sheets for installation and use of possible accessories.

Identify model and version of the unit from the indications stated on the carton package.

USE AND OPERATING LIMITS

Daikin shall not be held liable

- if the unit has been installed by non-qualified personnel,
- if the unit has been used improperly,
- if the unit has been used under conditions that are not permitted,
- if maintenance operations specified in this manual have not been carried out,
- if non original spare parts have been used.

Keep the unit in its packaging until it is ready to be installed, to prevent dust getting inside.

Operating limits are shown here below; all other uses are considered improper:

- thermal fluid: water/glycol
- water temperature: 5°C~95°C
- maximum operating pressure: 10 bar
- air temperature: 5°C~43°C
- nominal power supply voltage: 230V - 50 Hz
- ambient air humidity limit: RH<85% non-condensing

Selection of location:

Equipment designed for ambient air conditioning and intended for use in civil comfort applications.

- do not install the unit in rooms where inflammable gases are present
- do not let water spray directly on the unit;
- install the unit on ceilings or walls that bear its weight. Leave enough space all around for proper operation and maintenance of the unit, taking into account all installed optional accessories.
- never place the heating unit immediately under an electric plug-socket.

DIMENSIONS (See figure 1)

- 1 Clear space for hydraulic connections^(*)
- 2 Slots for wall/ceiling mounting 9 x 20 mm
- 3 Clear space for electric connections^(*)
- 4 Hydraulic connections (4 DF = 4 pipe system)
- 5 Condensate drainage for vertical installation
- 6 Air outlet for concealed models
- 7 Air suction for concealed models
- 8 Condensate draining for horizontal installation
- 9 Air outlet
- 10 Air inlet

^(*) Indications applicable to units with hydraulic connections on the left side; in case of right side connections the indications for "clear space" are reversed.

INSTALLATION



Before installing the fan coil, ensure that:

- The place of installation has sufficient space for containing the device and for performing installation and maintenance (respect spaces fig. point 2).
- The air inlet and delivery are not obstructed.
- The hydraulic connections are positioned and dimensioned as requested by the device (fig.1).
- The electric power supply line has the features requested on the fan coil's data plate.



In normal operation, particularly with the fan at minimum speed and ambient air with high relative humidity, condensation may form on the air outlet and on some external parts of the unit. To avoid such issues while always remaining within the operating limits envisaged for the unit, it is necessary to limit the (average) temperature of the water inside the heat exchanger. In particular, the difference between the air dew point (TA,DP) and the average water temperature (TWM) must NOT exceed 14 °C, according to the following relationship:

$$TW > TA, DP - 14 \text{ °C}$$

Example: in the case of ambient air at 25 °C with 75% relative humidity, the dew point temperature is about 20 °C and therefore the average temperature of the water in the battery must be greater then:

$$-20 - 14 = 6 \text{ °C in order to avoid condensation on a fancoil equipped with a valve.}$$

$$-20 - 12 = 8 \text{ °C If the valve kit accessory can not be installed.}$$

In the event the indoor unit is stopped for a prolonged period, with the fan stopped and circulation of cold water in the heat exchanger, condensation may also form on the unit's exterior. In this case it is advisable to install the 3-way (or 2-way) valve accessory in order to stop the flow of water in the coil when the fan is stopped.

Remove the cabinet, where existing, by unscrewing the 4 fastening screws reachable through the lifted side doors (see figure 2). In case of FWL and FWR versions, also unscrew the 2 screws on the front panel.

Install the basic unit onto the wall/ceiling using the 4 mounting slots and the supplied anchor screws, keeping the unit at least 100 mm above the floor for a proper air suction and an easy pulling out of the filter in case of FWV, FWZ, FWM and FWS models. In case of ceiling models FWM, FWS, FWL and FWR verify that the installation height corresponds to what is specified in figure 3, in order to avoid excessive hot air stratification in the upper part of the room; in case of greater installation heights we suggest to proceed with the back suction from

the lower part of the room. The installation heights refer to the maximum running speed.

Carry out the hydraulic connections to the heat exchanger and in case of cooling operation, to the water drainage system.

In case of cooling applications, make sure to insulate all field installed piping and fittings as to avoid condensate dripping on the floor. Non insulated piping can cause water damage!

We suggest to provide for the water inlet from the bottom side of the heat exchanger and the outlet on the upper side.

For a better water drainage lean the drain pipe downwards at least 3pcm/m avoiding loops or narrowing on its way.

It is possible to change the water connections side operating as follows:

- remove the cover front panel of the basic unit (4 screws), in case of models FWV and FWZ or the main drip tray in case of models FWL, FWR, FWM and FWS;
- remove the heat exchanger cover (2 screws);
- remove the heat exchanger (4 screws) fixed on the side panels of the basic unit;
- remove the lower partition plate;
- disconnect the motor cables from the terminal strip;
- remove the terminal strip and reassemble it on the opposite side;
- take out the motor cable and place it on the opposite side; remove the rubber snap bushing;
- remove the drain pipe and place it on the opposite side; set the drain pipe in place of the closing cap of the drip tray and fix that closing cap back in the position where the drain pipe originally was;
- turn the heat exchanger 180° and insert it on the side panel removing the pre-cut slots; fix it to the unit using the screws supplied;
- reassemble the lower partition plate on the bottom side;
- reassemble the heat exchanger cover;
- reassemble the control panel opposite to the water connections in case of model FWV and FWZ;
- insert the rubber snap bushing into the hole previously used for the drain pipe, reassemble the cable fastener on the side panel, and reassemble the cables connecting them to the terminal strip;
- reassemble the cover front panel (4 screws) in case of models FWV and FWZ or the main drip tray for the models FWL, FWR, FWM and FWS;
- close the holes previously used with drip proof material.

Carry out the purge from the heat exchanger operating on the air vent valves (10 hexagon wrench) located beside the water connections of the heat exchanger.

In case of concealed models FWM and FWS, perform the connection between the unit and the ducts, and place damping material between the duct and the unit.

The ducts, in particular the outlet ones, must be insulated.

In order to avoid air back suction on the unit, keep a minimum distance between the air outlet and recovered air flow as shown in figure 4.

The minimum installation height may not be lower than 1.8 m from the floor level.

In case of FWM and FWS, provide for an inspection port to the unit.



The FWM and FWS built-in models must not be accessible to the public.

In case of FWL and FWR, install the bottom plate according to figure 6.



For fan coils equipped with auxiliary electric heating element, ensure that any combustible material is at least 30 cm away from the electric heating element.



The openable side doors must be fixed with screw, due to lack of controls onboard the fan coil.

FIELD WIRING



All field wiring and components must be installed by a licensed electrician and must comply with relevant local and national regulations.

Carry out the electrical wiring after having turned the power off. Refer to figure 5. For options, refer to the appropriate manual.

Check that the power supply corresponds to the nominal power supply stated on the unit nameplate.

An omnipolar mains isolator in overvoltage category III must be present for every fan coil in the power supply line.

Power consumption is shown on the data plate fixed to the unit.

Make sure to carefully execute the wiring in function of the combination unit/controller and this according to the correct wiring diagram delivered with every accessory.

Wiring parts table

BK.....	Black = maximum speed
BU.....	Blue = medium speed
GNYE	Yellow/Green = earth connection
RD	Red = minimum speed
WH.....	White = common
- - -	Field wiring
F	Fuse (field supply)
IL.....	Main switch (field supply)
M.....	Motor
CN	Connector
COM-102	Connections to controller

TEST RUN

Check that the unit is perfectly levelled and that the drain pipe is not obstructed (rubble deposits, etc.).

Check that the water connections (to the heat exchanger and water drainage) are sealed.

Check that the electrical wiring is perfectly tight (perform this check with voltage OFF).

Be sure that the air purge of the heat exchanger has been carried out correctly.

Replace the cabinet (where existing).

Turn on the power supply and check the unit running.

USE

To use the unit, refer to the instructions in the installation and operation manual of the controller. Dedicated controllers are available as accessory.

Air outlet grills can be swivelled 180° to direct the flow into the room or towards the wall on which the unit is mounted.

The grills and the side doors are snapped onto the cabinet. Before removing them in order to change their position, cut the power off and wear protective gloves.

MAINTENANCE AND CLEANING

For safety reasons before carrying out any maintenance or cleaning operation, switch off the unit turning the selection switch to "Stop" and the power supply switch on position 0 (OFF).

Maintenance



Maintenance must only be carried out by an assistance centre authorised by the manufacturer or by qualified personnel

Be careful during any maintenance operation; you could get injured by some metal parts; use protective gloves.

The units do not require any particular maintenance operation: only the periodical cleaning of the air filter should be carried out.

It is necessary to carry out a running in period of 100 hours in order to eliminate all mechanical friction.

The starting up must be carried out at the maximum speed.

For good operation of the units follow the instructions below:

- keep the air filter clean;
- do not pour liquids into the unit;
- do not introduce metal parts through the air outlet grill.
- keep the air inlet and outlet free at all times.
Each time the machine is turned on after being idle for a long period, ensure there is no air in the heat exchanger.

Before using the unit for air conditioning, check that:

- condensate drainage is performed correctly;
- the heat exchanger fins are not obstructed by deposits of dirt. If necessary clean the fins with low pressure compressed air or steam without damaging the fins.

Cleaning



The filter must only be cleaned by an assistance centre authorised by the manufacturer or by qualified personnel

Clean the filter at least once a month and in any case before using the unit (before the heating or the air conditioning season).

For cleaning the air filter proceed as follows (figure 7)

- **model FWV and FWZ**
turn the screws that secure the filter to the cover cabinet 90° and remove the filter,
- **model FWL and FWR**
remove the air filters that are inside the intake grids located on the front panel of the cover cabinet,
- **concealed model FWM and FWS**
reach the unit through the inspection panel and remove the filter, turning the locking brackets 90°,
- clean the filter with lukewarm water, or in case of dry dust, clean the filter with compressed air,
- reassemble the filter after having it dried up.

It is recommended to replace the air filter yearly, and to use original spare parts. The unit model name is stated on the nameplate located on the side panel of the basic unit.

To clean the unit cabinet proceed as follows:

- use a soft cloth;
- do not pour any liquid on the unit, as this could cause electrical shocks or damage the components inside it;
- do not use any aggressive chemical solvents; do not use very hot water to clean the air outlet grill.

DISPOSAL REQUIREMENTS

Dismantling of the unit should be done in accordance with the relevant local and national legislation.

TROUBLESHOOTING

If the unit does not work properly first check the points reported in the table below before requesting service. If the problem cannot be solved contact your dealer or service centre.

Symptom 1: The unit does not run at all

POSSIBLE CAUSES	CORRECTIVE ACTION
Power failure	Restore power
Leakage breaker tripped	Contact service centre
The switch is on STOP ("0") position	Turn ON the unit, select "I"

Symptom 2: Poor cooling or heating performance

POSSIBLE CAUSES	CORRECTIVE ACTION
Dirty or clogged air filter	Clean the air filter
Obstacle near the air inlet or outlet	Remove the obstacle
Air inside the heat exchanger	Contact the installer
Doors and windows are open	Close doors and windows
The unit is running at low speed	Select medium or high fan speed

Symptom 3: The unit leaks

POSSIBLE CAUSES	CORRECTIVE ACTION
The unit is not levelled	Contact the installer
Drip tray is clogged	Contact the installer

Units are marked with the following symbol:



This means that electrical and electronic products may not be mixed with unsorted household waste.

Do NOT try to dismantle the system yourself: the dismantling of the system, treatment of the refrigerant, of oil and of other parts must be done by an authorized installer and must comply with applicable legislation.

Units must be treated at a specialized treatment facility for reuse, recycling and recovery.

By ensuring this product is disposed of correctly, you will help to prevent potential negative consequences for the environment and human health.

For more information, contact your installer or local authority.





Lesen Sie sich diese Anleitung sorgfältig durch, bevor Sie die Einheit in Betrieb nehmen. Werfen Sie sie nicht weg. Bewahren Sie sie so auf, so dass sie auch später noch darin nachschlagen können.

Unsachgemäße Installation oder Sicherung der Einheit oder der Zubehörteile kann zu elektrischem Schlag, Kurzschluss, Auslaufen von Flüssigkeit, Brand oder anderen Schäden führen. Achten Sie darauf, nur von Daikin hergestellte Zubehörteile zu verwenden, die spezifisch für den Gebrauch mit der Ausrüstung konstruiert wurden und lassen sie diese nur von einem Fachmann installieren.

Sollten Fragen zum Installationsverfahren oder zur Inbetriebnahme auftreten, wenden Sie sich bitte an Ihren Daikin-Händler. Von ihm erhalten Sie die notwendigen Ratschläge und Informationen.



Der als Option erhältliche EEH (Heizgerätesatz) kann nicht bei Einheiten montiert werden, welche für 4-Rohr Systeme eingerichtet sind.

VOR DER INSTALLATION

Die Installation und Wartung sollte von technischem Personal durchgeführt werden, das für diese Art der Maschine qualifiziert ist, in Übereinstimmung mit den aktuellen Sicherheitsbestimmungen.

Prüfen Sie den Zustand der Einheit bei Erhalt, stellen Sie fest ob irgendwelche Beschädigungen während des Transports aufgetreten sind.

Siehe die entsprechenden technischen Datenblätter hinsichtlich Installation und der Verwendung möglicher Zubehörteile.

Vergleichen Sie die Angaben auf der Verpackungseinheit mit dem Modell und der Version der Einheit.

VERWENDUNG UND FUNKTIONSEINSCHRÄNKUNGEN

Daikin kann nicht haftpflichtig gemacht werden

- wenn die Einheit von unqualifiziertem Personal installiert wurde
- wenn die Einheit unsachgemäß verwendet wurde,
- wenn die Einheit unter Bedingungen verwendet wurde, die nicht gestattet sind,
- wenn die Wartungsanweisungen, die in dieser Anleitung spezifiziert werden, nicht durchgeführt wurden,
- wenn keine Original Ersatzteile verwendet wurden.

Lassen Sie die Einheit in ihrer Verpackung, bis sie installiert werden kann, um zu verhindern, dass Staub eindringen kann.

Betriebseinschränkungen werden nachfolgend angezeigt, weitere Verwendungen gelten als unsachgemäß.

- thermische Flüssigkeit Wasser/Glykol
- wassertemperatur: 5°C–95°C
- maximaler Betriebsdruck: 10 bar
- lufttemperatur: 5°C–43°C
- nenn-Versorgungsspannung: 230V - 50 Hz
- Grenzwert relative Luftfeuchtigkeit der Raumluft: RH<85% nicht kondensierend

Auswahl des Installationsortes:

Für die Klimatisierung der Raumluft und für den Einsatz für Anwendungen im Bereich Zivilkomfort entwickelt

Installieren Sie die Einheit nicht in Räumen, in denen entzündliche Gase vorherrschen.

- Spritzen Sie kein Wasser direkt auf die Einheit,

- installieren Sie die Einheit an Decken oder Wänden, die das Gewicht der Einheit tragen können. Lassen Sie für die Bedienung und Wartung ausreichend Platz um die Einheit herum, berücksichtigen Sie sämtliche installierten Sonderzubehöre.
- Stellen Sie das Heizgerät niemals direkt unter einer elektrischen Steckfassung auf.

ABMESSUNGEN (Siehe Abbildung 1)

- 1 Lichter Raum für Hydraulikanschlüsse^(*)
- 2 Schlitz für Wand/Deckenmontage 9 x 20 mm
- 3 Lichter Raum für elektrische Anschlüsse^(*)
- 4 Hydraulikanschlüsse (4 DF = 4 Rohrsystem)
- 5 Kondenswasserabscheidung für vertikale Installation
- 6 Luftauslass für Unterputzmodelle
- 7 Luftansaugung für Unterputzmodelle
- 8 Kondenswasserabscheidung für horizontale Installation
- 9 Luftauslass
- 10 Lufteinlass

^(*) Die Betriebsbedingungen gelten bei Einheiten mit Hydraulikanschlüssen auf der linken Seite, im Fall von Anschlüssen auf der rechten Seite, gelten die umgekehrten Betriebsbedingungen bezüglich "lichter Raum".

INSTALLATION



Vor der Installation des Ventilator-Konvektors sicherstellen, dass:

- der Installationsort ausreichend groß ist, um das Gerät aufzunehmen und dass ausreichend Platz zur Verfügung steht, um die Installation und die Wartung auszuführen (Abb. Platzbedarf bez. Punkt2);
- der Luftdurchgang, Ein- und Austritt, nicht verstopft ist;
- die Position und die Maße der Hydraulikanschlüsse den Geräteanforderungen entsprechen (Abb.1).
- die elektrische Versorgungslinie den Kennzeichnungsdaten auf dem Schild des Ventilator-Konvektors entsprechen.



Während des normalen Betriebs kann es insbesondere bei mit Mindestgeschwindigkeit laufendem Lüfter und bei Raumluft mit hoher relativer Feuchtigkeit zur Bildung von Kondensat am Luftauslass und an einigen Außenteilen des Geräts kommen. Zum Vermeiden dieser Erscheinung muss die (mittlere) Wassertemperatur im Wärmetauscher -offensichtlich innerhalb der für das Gerät vorgesehenen Grenzwerte- begrenzt werden. Insbesondere darf die Differenz zwischen der Taupunkttemperatur der Luft (TA,DP) und der mittleren Wassertemperatur (TWM) gemäß folgender Gleichung NICHT 14 °C überschreiten: $TW > TA, DP - 14 \text{ °C}$
Beispiel: Bei einer Raumtemperatur von 25 °C bei einer relativen Luftfeuchtigkeit von 75% entspricht die Taupunkttemperatur ca. 20 °C und folglich muss die mittlere Wassertemperatur im Register höher als 20-14=6 °C sein, um Kondensatbildung zu vermeiden. Bei einem längeren Stillstand des Peripheriegeräts bei stillstehendem Lüfter und Kaltwasserzirkulation im Wärmetauscher besteht die Möglichkeit, dass sich auch auf der Außenseite des Geräts Kondensat bildet. In diesem Fall ist es empfehlenswert, das als Zubehör angebotene 3-Wege-Ventil (oder 2-Wege-Ventil) zu installieren, um den Wasserfluss im Register zu unterbrechen, wenn der Lüfter stillsteht.

Entfernen Sie das Gehäusue, wo vorhanden, indem Sie die 4 Befestigungsschrauben lösen, die durch die angehobenen Seitentüren erreichbar sind (siehe Abbildung 2). Lösen Sie bei den FWL Baureihen, ebenfalls die beiden Schrauben an der Frontblende.

Installieren Sie die Basiseinheit an der Wand/Decke mithilfe der 4 Montageschlitze sowie den gelieferten Ankerschrauben, die die Einheit mindestens 100 mm über dem Fußboden halten zur vorschriftsmäßigen Luftansaugung und ein einfaches Herausziehen der Filter bei den FWV, FWZ, FWM und FWS Modellen. Stellen Sie bei den Deckenmodellen FWM, FWS, FWL und FWR fest, ob die Installationshöhe der Angabe in Abbildung 3 entspricht, um übermäßige Heißluftstratifikation im oberen Teil des Raumes zu vermeiden. Bei größeren Installationshöhen, schlagen wir vor mit der

rückseitigen Ansaugung vom unteren Teil des Raumes fortzuführen. Die Installationshöhen entsprechen den maximalen Laufdrehzahlen.

Schließen Sie die Hydraulikanschlüsse an den Wärmetauscher an und bei Kühlbetrieb an das Wasserablaufsystem.

Achten Sie bei Kühlanwendungen darauf, alle bauseitigen Leitungen und Anschlüsse zu isolieren, um Abtropfen von Kondensat auf den Boden zu vermeiden. Leitungen, die nicht isoliert sind, verursachen Wasserschäden!

Wir schlagen vor, den Wassereinlass von der Unterseite des Wärmetauschers und den Wasserauslass an der Oberseite vorzusehen.

Verlegen Sie die Kondensatleitung mindestens 3 cm/m nach unten für einen besseren Wasserablauf und zur Vermeidung von Schlingen oder begrenzen Sie den Weg der Leitung. Die Seite für den Betrieb des Wasseranschlusses kann auch wie folgt gewechselt werden:

- nehmen Sie die Abdeckung von der Frontblende der Basiseinheit (4 Schrauben) ab bei den Modellen der Baureihe FWV und FWZ oder der Haupttropfwanne bei den Modellen der Baureihe FWL, FWR, FWM und FWS;
- entfernen Sie die Abdeckung des Wärmetauschers (2 Schrauben),
- entfernen Sie den Wärmetauscher (4 Schrauben), der an den Seitenblenden der Basiseinheit befestigt ist,
- entfernen Sie die untere Abtrennung,
- trennen Sie die Motorkabel von der Klemmenleiste,
- entfernen Sie die Klemmenleiste und montieren Sie diese auf der gegenüberliegenden Seite wieder zusammen,
- nehmen Sie das Motorkabel heraus und legen Sie es auf die gegenüberliegende Seite, entfernen Sie die Gummisicherungsbuchse.
- entfernen Sie die Kondensatleitung und legen Sie diese auf die gegenüberliegende Seite, positionieren Sie die Kondensatleitung am Standort der Verschlusskappe der Tropfwanne und befestigen Sie diese Verschlusskappe wieder zurück an der Position wo die Kondensatleitung ursprünglich war,
- drehen Sie den Wärmetauscher um 180° und fügen Sie ihn an der Seitenblende ein, indem Sie die vorgestanzenen Schlitze entfernen, befestigen Sie ihn an der Einheit mithilfe der mitgelieferten Schrauben,
- befestigen Sie die untere Abtrennung wieder an der Unterseite,
- befestigen Sie die Abdeckung des Wärmetauschers wieder,
- befestigen Sie die Fernbedienung gegenüber den Wasseranschlüssen bei Modell FWV und FWZ wieder an,
- stecken Sie die Gummisicherungsbuchse in die Bohrung, die zuvor verwendet wurde für die Kondensatleitung, befestigen Sie die Kabelbefestigung wieder an der Seitenblende und ebenfalls die Kabel, die sie an die Klemmenleiste anschließen,
- befestigen Sie die Abdeckung der Frontblende (4 Schrauben) bei den Modellen FWV und FWZ oder die Haupttropfwanne für die Modelle FWL, FWR, FWM und FWS,
- schließen Sie die zuvor benutzen Bohrungen mit tropfsicherem Material.

Führen Sie die Entlüftung des Wärmetauschers durch, der die Entlüftungsventile betätigt (Sechskantschlüssel 10), die sich neben den Wasseranschlüssen des Wärmetauschers befinden.

Bei den Unterputzmodellen FWM, führen Sie den Anschluss zwischen der Einheit und den Kanälen durch und legen Sie Dämpfungsmaterial zwischen Kanal und Einheit.

Die Kanäle, insbesondere die Ausgangskanäle, müssen isoliert werden.

Um Luftrücksaugung bei der Einheit zu vermeiden, halten Sie einen Mindestabstand zwischen Luftauslass und Rückluftstrom ein, wie abgebildet in Abbildung 4.

Die Mindestinstallationshöhe darf nicht niedriger als 1,8 m von der Fußbodennähe sein.

Sehen Sie bei den Modellen von FWM und FWS eine Inspektionsöffnung an der Einheit vor.



Die Einbaumodelle FWM und FWS dürfen der Öffentlichkeit nicht zugänglich sein.

Installieren Sie bei FWL und FWR die Bodenplatte gemäß Abbildung 6.



Für die Ventilator-Konvektoren mit elektrischem Hilfswiderstand sicherstellen, dass eventuelle Brennstoffe mit einem Mindestabstand von 30cm vom Heizelement positioniert sind.



die seitlichen Türen müssen mit Schrauben befestigt werden, da keine Kontrollen am Ventilator-Konvektor vorhanden sind.

BAUSEITIGE VERKABELUNG



Sämtliche bauseitigen Verdrahtungen und Bauteile müssen von einem zugelassenen Elektriker installiert werden und den entsprechenden örtlichen und staatlichen Vorschriften entsprechen.

Führen Sie die elektrische Verkabelung durch, nachdem Sie den Strom abgeschaltet haben. Siehe Abbildung 5. Ausführliche Informationen bezüglich der Zubehörteile, finden Sie im entsprechenden Handbuch.

Überprüfen Sie, ob die Stromzufuhr der Nennstromzufuhr entspricht, die auf dem Typenschild der Einheit angegeben ist.

Für jeden Ventilator-Konvektor in der Versorgungslinie muss ein allpoliger Trennschalter in Überspannungskategorie III zur Verfügung stehen.

Der Stromverbrauch ist auf dem Typenschild abgebildet, das an der Einheit befestigt ist.

Achten Sie darauf, dass Sie die Verkabelung in Bezug auf die Kombination Einheit/Regler sorgfältig ausführen und gemäß den korrekten Verdrahtungsplänen, die mit jedem Zubehör geliefert werden.

Verkabelung - Teileübersicht

BK.....	Schwarz = maximale Drehzahl
BU.....	Blau = mittlere Drehzahl
GNYE	Gelb/Grün = Erdung
RD	Rot = minimale Drehzahl
WH.....	Weiß = gemeinsam
- - - -	Bauseitige Verkabelung
F	Sicherung (bauseitig)
IL.....	Hauptschalter (bauseitig)
M.....	Motor
CN	Stecker
COM-102	Anschlüsse an den Regler

PROBELAUF

Prüfen Sie, ob die Einheit fehlerlos ausgerichtet ist und ob die Kondensatleitung nicht verstopft ist (Gummiablagerungen etc.).

Prüfen Sie, ob die Wasseranschlüsse (zum Wärmetauscher und Wasserablauf) dicht sind.

Prüfen Sie, ob die elektrische Verkabelung fehlerfrei fest sitzt (prüfen Sie dies wenn die Spannung AUS ist).

Achten Sie darauf, dass die Entlüftung des Wärmetauschers korrekt ausgeführt wurde.

Ersetzen Sie das Gehäuse (wo vorhanden).

Schalten Sie die Stromversorgung an und prüfen Sie, ob die Einheit funktioniert.

VERWENDUNG

Beziehen Sie sich bezüglich der Verwendung der Einheit, auf die Anweisungen in der Installations- und Betriebsanleitung des Reglers. Spezielle Regler sind als Zubehör erhältlich.

Luftauslassgitter können um 180° gedreht werden, um den Luftstrom in den Raum oder gegen die Decke zu richten, an der die Einheit montiert ist.

Die Gitter und die Seitentüren werden auf dem Gehäuse eingerastet. Bevor Sie diese entfernen, um ihre Position zu wechseln, schalten Sie den Strom ab und tragen Schutzhandschuhe.

WARTUNG UND REINIGUNG

Bevor Sie Wartungs- oder Reinigungsarbeiten ausführen, schalten Sie die Einheit aus Sicherheitsgründen ab, indem Sie den Wahlschalter auf "Stopp" stellen und den Schalter der Stromversorgung auf Position 0 (AUS).

Wartung



Die Wartungsoperationen dürfen nur von einem vom Hersteller autorisiertem Kundendienstzentrum oder von qualifiziertem Personal ausgeführt werden.

Seien Sie vorsichtig, während der Wartungsarbeiten, Sie könnten verletzt werden durch Metallteile, tragen Sie Schutzhandschuhe.

Die Einheiten benötigen keine besonderen Wartungsarbeiten: nur die regelmäßige Reinigung der Luftfilter sollte ausgeführt werden.

Eine Einlaufzeit von 100 Stunden muss durchgeführt werden, um sämtliche mechanische Reibung zu beseitigen.

Das Anfahren muss bei maximaler Drehzahl durchgeführt werden.

Befolgen Sie die nachfolgenden Anweisungen bezüglich eines guten Betriebs der Einheiten:

- halten Sie die Luftfilter sauber,
- schütten Sie keine Flüssigkeiten in die Einheit,
- führen Sie keine Metallteile durch das Luftauslassgitter.
- halten Sie den Lufteinlass und -auslass ständig frei.

Jedes Mal, wenn die Maschine nach einer langen Leerlaufzeit eingeschaltet wird, muss darauf geachtet werden, dass sich keine Luft im Wärmetauscher befindet.

Bevor Sie die Einheit zur Klimatisierung verwenden, prüfen Sie ob:

- die Kondenswasserabscheidung korrekt durchgeführt wird:
- die Wärmetauscherrippen nicht durch Schmutzablagerungen verstopft sind. Reinigen Sie bei Bedarf die Rippen mit Niederdruckluft oder Dampf ohne die Rippen zu beschädigen.

Reinigung



Die Reinigung des Filters darf nur von einem vom Hersteller autorisiertem Kundendienstzentrum oder von qualifiziertem Personal ausgeführt werden.

Reinigen Sie den Filter mindestens einmal im Monat und in jedem Fall bevor Sie die Einheit verwenden (vor der Heiz- oder Klimatisierungsperiode).

Gehen Sie wie folgt vor bei der Reinigung der Luftfilter (Abbildung 7)

- Modell FWV und FWZ drehen Sie die Schrauben, die den Filter an der Abdeckung des Gehäuses sichern um 90° und entfernen sie den Filter,
- Modell FWL und FWR entfernen Sie die Luftfilter, die sich innen am Einlassgitter an der Frontblende der Gehäuseabdeckung befinden,
- Unterputzmodell FWM und FWS Langen Sie durch die Inspektionsblende der Einheit, um den Filter zu entfernen, drehen Sie die Verschlusshalterungen um 90°,
- reinigen Sie den Filter mit handwarmem Wasser, oder reinigen Sie den Filter bei trockenem Staub mit Druckluft,
- montieren Sie den Filter wieder, nachdem Sie ihn abgetrocknet haben.

Es ist empfehlenswert, den Luftfilter jährlich auszutauschen und Original Ersatzteile zu verwenden. Der Modellname der Einheit ist auf dem Typenschild angegeben, das sich an der Seitenblende der Basiseinheit befindet.

Zur Reinigung des Gehäuses der Einheit gehen Sie wie folgt vor:

- verwenden Sie ein weiches Tuch,

- schütten Sie keine Flüssigkeit auf der Einheit aus, dies könnte Elektroschock oder Schäden innen an den Komponenten zur Folge haben,

- verwenden Sie keine aggressiven chemischen Lösungsmittel und sehr heißes Wasser für die Reinigung des Luftauslassgitters.

VORSCHRIFTEN ZUR ENTSORGUNG

Die Demontage der Einheit muss gemäß den jeweiligen örtlichen und staatlichen Vorschriften erfolgen.

FEHLERBESEITIGUNG

Wenn die Einheit nicht ordnungsgemäß funktioniert, überprüfen Sie zunächst die Punkte die in nachfolgender Tabelle aufgeführt sind, bevor Sie den Wartungsdienst anfordern. Wenn das Problem nicht gelöst werden kann, nehmen Sie Kontakt auf zu Ihrem Händler oder Servicezentrale.

Symptom 1: Die Einheit läuft überhaupt nicht

MÖGLICHE URSACHEN	ABHILFE
Stromausfall	Stellen Sie die Stromzufuhr wieder her
Stromunterbrecher ist durchgebrannt	Nehmen Sie Kontakt auf mit der Servicezentrale
Der Schalter ist in der STOP ("0") Stellung.	Stellen Sie die Einheit auf Position EIN, wählen Sie "I"

Symptom 2: Geringe Kühl- oder Heizleistung

MÖGLICHE URSACHEN	ABHILFE
Verschmutzte oder verstopfte Luftfilter	Reinigen Sie den Luftfilter
Hindernis nahe dem Lufteinlass oder -auslass	Beseitigen Sie das Hindernis
Luft innerhalb des Wärmetauschers	Nehmen Sie Kontakt auf mit dem Installateur
Türen und Fenster sind geöffnet	Schließen Sie Türen und Fenster
Die Einheit läuft mit niedriger Drehzahl	Wählen Sie mittlere oder hohe Ventilator Drehzahl

Symptom 3: Die Einheit ist nicht dicht

MÖGLICHE URSACHEN	ABHILFE
Die Einheit ist nicht ausgerichtet	Nehmen Sie Kontakt auf mit dem Installateur
Die Tropfwanne ist verstopft	Nehmen Sie Kontakt auf mit dem Installateur

Einheiten sind mit folgendem Symbol gekennzeichnet:



Dies bedeutet, dass elektrische und elektronische Produkte nicht mit unsortiertem Hausmüll vermengt werden darf.

Versuchen Sie NICHT das System selbst zu demontieren: die Demontierung des Systems, die Behandlung des Kühlmittels, des Öls und anderer Teile muss von einem autorisierten Installateur durchgeführt werden und muss mit den anwendbaren Gesetzen übereinstimmen.

Die Einheiten müssen in speziellen Behandlungsanlagen für die Wiederverwendung, Recycling und Rückgewinnung aufbereitet werden.

Durch Sicherstellung einer korrekten Entsorgung dieses Produkts können Sie dazu beitragen, mögliche negative Konsequenzen für die Umwelt und für die menschliche Gesundheit vorzubeugen.

Für weitere Informationen wenden Sie sich an Ihren Installateur oder an die örtlichen Behörden.





Lire attentivement ce manuel avant de faire démarrer l'unité. Ne pas le jeter. Le conserver dans vos dossiers pour une utilisation ultérieure.

Une installation ou une fixation incorrecte de l'équipement ou des accessoires peut provoquer une électrocution, un court-circuit, des fuites, un incendie ou endommager l'équipement. Veiller à utiliser uniquement des accessoires fabriqués par Daikin spécifiquement conçus en vue d'une utilisation avec l'équipement et à les faire installer par un professionnel.

En cas de doute quant aux procédures d'installation ou d'utilisation, prendre toujours contact avec votre concessionnaire Daikin pour tout conseil et information.



L'EEH en option (kit de chauffage électrique) ne peut être monté sur des unités qui sont réglées pour des systèmes à 4 tuyaux.

AVANT L'INSTALLATION

L'installation et la maintenance devront être confiées à un personnel technique qualifié pour ce type de machine conformément aux réglementations actuelles en matière de sécurité.

Lorsque vous recevez l'unité, veuillez en contrôler l'état, vérifiez si elle n'a pas été endommagée pendant le transport.

Reportez-vous aux fiches techniques appropriées pour l'installation et l'utilisation des éventuels accessoires.

Identifiez le modèle et la version de l'unité sur la base des indications figurant sur l'emballage de carton.

LIMITES D'UTILISATION ET DE FONCTIONNEMENT

Daikin ne pourra être tenu pour responsable

- si l'unité a été installée par un personnel non-qualifié;
- si l'unité n'a pas été utilisée correctement;
- si l'unité a été utilisée dans des conditions non-autorisées;
- si les opérations de maintenance spécifiées dans le présent manuel n'ont pas été réalisées;
- si des pièces de rechange qui ne sont pas d'origine ont été utilisées.

Conservez l'unité dans son emballage jusqu'à ce qu'elle soit prête à être installée afin d'éviter que des poussières ne pénètrent à l'intérieur.

Les limites de fonctionnement sont présentées ci-dessous; toutes les autres utilisations sont considérées comme impropres:

- fluide thermique: eau/glycol
- température de l'eau: 5°C~95°C
- pression de service maximum: 10 bar
- température de l'air: 5°C~43°C
- tension nominale d'alimentation : 230V - 50 Hz
- Limite d'humidité relative de l'air ambiant : HR <85% sans condensation

Sélection d'un emplacement:

Appareils conçus pour la climatisation de l'air ambiant et destinés à être utilisés pour des applications de confort civil ne pas installer l'unité dans des locaux où des gaz inflammables sont présents

- ne pas pulvériser de l'eau directement sur l'unité;
- installer l'unité sur des plafonds ou des murs qui supportent son poids. Laisser autour de l'unité suffisamment d'espace pour

permettre un fonctionnement et un entretien corrects en tenant compte de tous les accessoires en option installés.

- ne jamais placer l'unité chauffante directement sous une prise de courant.

DIMENSIONS (Voir la figure 1)

- 1 Espace dégagé pour connexions hydrauliques^(*)
- 2 Fentes pour montage au mur/plafond 9 x 20 mm
- 3 Espace dégagé pour connexions électriques^(*)
- 4 Connexions hydrauliques (4 DF = système à 4 tuyaux)
- 5 Drainage de condensation pour installation verticale
- 6 Sortie d'air pour modèles encastrés
- 7 Aspiration d'air pour modèles encastrés
- 8 Drainage de condensation pour installation horizontale
- 9 Sortie d'air
- 10 Arrivée d'air

^(*) Indications s'appliquant aux unités avec connexions hydrauliques sur le côté gauche; en cas de connexions du côté droit, les indications pour "espace libre" sont inversées.

INSTALLATION



Avant d'installer le ventilateur-convecteur, s'assurer que:

- L'espace du lieu d'installation est suffisant pour contenir l'appareil et qu'il y a convenablement de l'espace pour les opérations d'installation et de maintenance (fig. espaces par rapport point au 2)
- Il n'y a pas des obstructions au passage de l'air en aspiration et en refoulement.
- Les raccords hydrauliques respectent la position et les mesures requises par l'appareil (fig. 1).
- La ligne électrique d'alimentation a les caractéristiques requises par les données de la plaquette du ventilateur-convecteur.



En fonctionnement normal, en particulier quand le ventilateur est à la vitesse minimum et quand l'humidité relative de l'air ambiant est élevée, il est possible que

de la condensation se forme sur le refoulement d'air et sur certaines parties de la structure externe de l'appareil. Pour prévenir de tels phénomènes, en respectant dans tous les cas les limites de fonctionnement de l'appareil, il est nécessaire de limiter la température (moyenne) de l'eau présente dans l'échangeur. En particulier, il est nécessaire que l'écart entre la température de rosée de l'air (TA,DP) et la température moyenne de l'eau (TWM) NE SOIT PAS supérieure à 14°C, conformément au rapport suivant : $TW > TA, DP - 14^\circ C$

Exemple: si la température de l'air ambiant est de 25°C avec 75% d'humidité relative, la température de rosée est d'environ 20°C et, conséquemment, la température moyenne de l'eau dans la batterie doit être supérieure à:

En cas d'arrêt prolongé de l'unité, avec ventilateur à l'arrêt et circulation d'eau froide dans l'échangeur, il est possible que de la condensation se forme également à l'extérieur

de l'appareil. Dans ce cas, il est recommandé d'installer l'accessoire vanne à 3 voies (ou à 2 voies) de façon à pouvoir couper le flux d'eau dans la batterie quand le ventilateur est à l'arrêt.

Enlever l'armoire, s'il y en a une, en dévissant les 4 vis de fixation auxquelles on accède par les portes latérales relevées (voir la figure 2). Dans le cas de versions FWL et FWR, dévisser également les 2 vis sur le panneau avant.

Installer l'unité de base sur le mur/plafond à l'aide des 4 fentes de montage et des vis d'ancrage fournies en maintenant l'unité à au moins 100 mm au-dessus du sol pour permettre une aspiration d'air correcte et un retrait aisé du filtre dans le cas de modèles FWV, FWZ, FWM et FWS. Dans le cas des modèles de plafond FWM, FWS, FWL

et FWR, vérifier que la hauteur d'installation corresponde à ce qui est spécifié dans figure 3 afin d'éviter une stratification d'air chaud excessive dans la partie supérieure du local; en cas de hauteurs d'installation plus importantes, nous suggérons de procéder avec l'aspiration arrière depuis la partie inférieure du local. Les hauteurs d'installation correspondent à la vitesse de fonctionnement maximum.

Réaliser les connexions hydrauliques vers l'échangeur de chaleur et, en cas d'opération de réfrigération, vers le système de drainage d'eau.

Dans le cas d'applications de réfrigération, veiller à isoler tous les tuyaux et appareils installés afin d'éviter que des gouttes d'eau condensée ne tombent sur le sol. La non-isolation des tuyaux peut entraîner des dégâts dus à l'eau!

Nous suggérons de prévoir l'arrivée d'eau depuis le côté inférieur de l'échangeur de chaleur et la sortie du côté supérieur.

Pour un meilleur drainage d'eau, pencher le tuyau de vidange vers le bas au moins de 3pcm/m et éviter les boucles ou les rétrécissements.

Il est possible de changer le côté des connexions d'eau en procédant comme suit :

- retirer le panneau avant du couvercle de l'unité de base (4 vis) dans le cas de modèles FWV et FWZ ou le bac d'égouttement dans le cas de modèles FWL, FWR, FWM et FWS;
- retirer le couvercle de l'échangeur de chaleur (2 vis);
- retirer l'échangeur de chaleur (4 vis) fixé sur les panneaux latéraux de l'unité de base;
- retirer la cloison inférieure;
- déconnecter les câbles du moteur de la barrette de raccordement;
- retirer la barrette de raccordement et la remonter sur le côté opposé;
- extraire le câble du moteur et le placer sur le côté opposé; retirer la douille de caoutchouc à enclenchement;
- retirer le tuyau de vidange et le placer sur le côté opposé; installer le tuyau de vidange du couvercle de fermeture du récipient d'égouttement et fixer à nouveau ce couvercle de fermeture à l'endroit où le tuyau de vidange se trouvait initialement
- faire tourner l'échangeur de chaleur sur 180° et l'insérer sur le panneau latéral en ôtant les fentes découpées au préalable; le fixer à l'unité à l'aide des vis fournies;
- remonter la cloison inférieure sur le côté inférieur;
- remonter le couvercle de l'échangeur de chaleur;
- remonter le tableau de commande en face des connexions d'eau dans le cas du modèle FWV et FWZ;
- insérer la douille de caoutchouc à enclenchement dans le trou précédemment utilisé pour le tuyau de vidange, remonter l'élément de fixation du câble sur le panneau latéral et remonter les câbles en les connectant à la barrette de raccordement;
- remonter le panneau avant du couvercle (4 vis) dans le cas de modèles FWV et FWZ ou le principal récipient d'égouttement pour les modèles FWL, FWR, FWM et FWS;
- fermer les trous précédemment utilisés à l'aide de matériau résistant à l'égouttement.

Réaliser la vidange de l'échangeur de chaleur en actionnant les soupapes d'arrivée d'air (clé hexagonale 10) situées derrière les connexions d'eau de l'échangeur de chaleur.

Dans le cas de modèles FWM et FWS encastrés, établir la connexion entre l'unité et les conduites et placer le matériel d'amortissement entre la conduite et l'unité.

Les conduites, en particulier les conduites de sortie, doivent être isolées.

Pour éviter toute aspiration d'air inverse sur l'unité, garder une distance minimum entre la sortie d'air et le flux d'air récupéré comme le montre la figure 4.

La hauteur d'installation minimum ne peut être inférieure à 1,8 m à partir du niveau du sol.

Dans le cas de FWM et FWS, prévoir une porte d'inspection vers l'unité.



Les modèles encastrables FWM et FWS ne doivent pas être accessibles au public.

Dans le cas de FWL et FWR, installer la plaque de fond conformément à la figure 6.



Pour les ventilo-convecteurs équipés de résistance électrique auxiliaire, s'assurer que les matériaux combustibles se trouvent à une distance minimale de 30 cm de l'élément électrique chauffant.



Les volets latéraux ouvrables doivent être fixés avec des vis en l'absence des contrôles à bord du ventilo-convecteur.

CÂBLAGE LOCAL



Tous les câbles et éléments à prévoir sur place doivent être installés par un électricien agréé et doivent être conformes aux réglementations locales et nationales en vigueur.

Procéder au câblage électrique après avoir coupé l'alimentation. Se référer à la figure 5. Pour les détails, référez-vous au manuel d'entretien.

Assurez-vous que l'alimentation électrique corresponde à l'alimentation nominale figurant sur la plaque d'identification de l'unité.

Pour chaque ventilo-convecteur dans la ligne d'alimentation, un sectionneur de réseau omnipolaire en catégorie de surtension III doit être présent.

La consommation d'énergie est mentionnée sur la plaque de données fixée sur l'unité.

Veillez à réaliser le câblage avec précaution en fonction de la combinaison unité/contrôleur et ceci, conformément au diagramme de câblage correct fourni avec chaque accessoire.

Câblage – liste des pièces

BK.....	Noir = vitesse maximum
BU.....	Bleu = vitesse moyenne
GNYE	Jaune/Vert = mise à la terre
RD	Rouge = vitesse minimum
WH.....	Blanc = masse
- - -	Câblage sur place
F	Fusible (alimentation extérieure)
IL.....	Sectionneur principal (alimentation extérieure)
M.....	Moteur
CN	Connecteur
COM-102.....	Connexions au contrôleur

ESSAI DE FONCTIONNEMENT

Assurez-vous que l'unité est parfaitement mise à niveau et que le tuyau de drainage n'est pas obstrué (décombres, dépôts, etc.).

Assurez-vous que les connexions d'eau (vers l'échangeur de chaleur et le drainage d'eau) sont étanches.

Assurez-vous que le câblage électrique est parfaitement étanche (réaliser ce contrôle HORS tension).

Assurez-vous que l'air de l'échangeur de chaleur a été purgé correctement.

Remplacez l'armoire (le cas échéant).

Branchez l'alimentation et vérifiez le fonctionnement de l'unité.

UTILISATION

Pour utiliser l'unité, reportez-vous aux instructions du manuel d'installation et de fonctionnement du contrôleur. Des contrôleurs dédiés sont disponibles comme accessoires.

On peut faire pivoter les grilles de sortie d'air sur 180° pour diriger le flux vers le local ou vers le mur sur lequel l'unité est montée.

Les grilles et les portes latérales sont emboîtées sur l'armoire. Avant de les retirer afin de changer leur position, coupez l'alimentation et portez des gants de protection. **MAINTENANCE ET NETTOYAGE**
Pour des raisons de sécurité, avant de réaliser toute opération de maintenance ou de nettoyage, débranchez l'unité en mettant le commutateur de sélection sur "Stop" et le commutateur d'alimentation en position 0 (OFF).

Maintenance



Les opérations de maintenance ne doivent être effectuées que par un centre d'assistance agréée par le fabricant ou par du personnel qualifié.

Soyez prudent pendant toute opération de maintenance; vous pourriez vous blesser avec certaines pièces métalliques; utilisez des gants de protection.

Les unités ne requièrent pas de maintenance particulière: il suffit de procéder au nettoyage périodique du filtre à air.

Il est nécessaire de faire fonctionner l'équipement en périodes de 100 heures afin d'éliminer toute friction mécanique.

Le démarrage doit être effectué à la vitesse maximum.

Pour un bon fonctionnement des unités, suivez les instructions ci-dessous:

- gardez le filtre à air propre;
- ne versez pas de liquides dans l'unité;
- n'introduisez pas de pièces métalliques dans la grille de la sortie d'air.
- veillez à ce que l'arrivée et la sortie d'air restent en tout temps dégagées.
Chaque fois que la machine est remise en marche après une période prolongée d'inutilisation, assurez-vous qu'il n'y a pas d'air dans l'échangeur de chaleur.

Avant d'utiliser l'unité de conditionnement d'air, assurez-vous que:

- le drainage de condensation est réalisé correctement;
- les ailettes de l'échangeur de chaleur ne sont pas obstruées par des dépôts de poussières. Si nécessaire, nettoyez les ailettes avec de l'air comprimé ou de la vapeur à basse pression sans endommager les ailettes.

Nettoyage



Le nettoyage du filtre ne doit être effectuées que par un centre d'assistance agréée par le fabricant ou par du personnel qualifié.

Nettoyez le filtre au moins une fois par mois et en tout cas avant d'utiliser l'unité (avant la saison de chauffage ou de conditionnement d'air).

Pour nettoyer le filtre à air, procédez comme suit (figure 7)

- **modèle FWV et FWZ**
tournez les vis qui fixent le filtre à l'armoire de protection sur 90° et retirez le filtre;
- **modèle FWL et FWR**
retirez les filtres à air qui se trouvent à l'intérieur des grilles d'admission se trouvant sur le panneau avant de l'armoire de protection;
- **modèle FWM et FWS encastré**
accédez à l'unité au travers du panneau d'inspection et retirez le filtre en faisant tourner les supports de fixation sur 90°;

Installation and operation manual

- nettoyez le filtre avec de l'eau tiède, ou en cas de poussières sèches, nettoyez le filtre à l'air comprimé;
- remontez le filtre après l'avoir essuyé.

Il est recommandé de remplacer le filtre à air chaque année et d'utiliser des pièces de rechange d'origine pour ce faire. Le nom du modèle de l'unité est mentionné sur la plaque d'identification se trouvant sur le panneau latéral de l'unité de base.

Pour réinitialiser l'unité, procédez comme suit :

- utilisez un chiffon doux;
- ne versez pas de liquide sur l'unité car cela pourrait provoquer des chocs électriques et endommager les composants se trouvant à l'intérieur;
- n'utilisez pas de dissolvants chimiques agressifs; n'utilisez pas de l'eau très chaude pour nettoyer la grille de sortie d'air.

EXIGENCES EN MATIÈRE D'ÉLIMINATION

Le démontage de l'unité doit être effectué conformément aux réglementations locales et nationales.

DÉPANNAGE

Si l'unité ne fonctionne pas correctement, contrôlez d'abord les points figurant dans le tableau ci-dessous avant de demander un entretien. Si le problème ne peut être résolu, prenez contact avec votre concessionnaire ou centre d'entretien.

Symptôme 1: L'unité ne marche pas du tout

CAUSES POSSIBLES	MESURE CORRECTIVE
Panne d'électricité	Rétablir le courant
Disjoncteur de fuite déclenché	Prenez contact avec le centre d'entretien
Le commutateur est en position STOP ("0")	Mettez l'unité sous tension, sélectionnez "1"

Symptôme 2: Performance de refroidissement ou de chauffage médiocre

CAUSES POSSIBLES	MESURE CORRECTIVE
Filtre à air sale ou bouché	Nettoyez le filtre à air
Obstacle à proximité de l'arrivée ou de la sortie d'air	Retirez l'obstacle
Air à l'intérieur de l'échangeur de chaleur	Prenez contact avec l'installateur
Les portes et fenêtres sont ouvertes	Fermez portes et fenêtres
L'unité fonctionne à faible vitesse	Sélectionnez la vitesse de ventilateur moyenne ou élevée

Symptôme 3: L'unité présente une fuite

CAUSES POSSIBLES	MESURE CORRECTIVE
L'unité n'est pas à niveau	Prenez contact avec l'installateur
Le récipient d'égouttement est bouché	Prenez contact avec l'installateur

Les symboles suivants sont appliqués sur les unités:



Cela signifie que les produits électriques et électroniques ne doivent pas être éliminés avec les déchets ménagers non triés.

NE démanteler PAS l'installation vous-même, le traitement du réfrigérant, de l'huile et d'autres composants doit être confié à un installateur agréé et doit être effectué conformément aux législations en vigueur.

Les unités doivent être traitées dans un centre spécialisé de collecte, de recyclage et de réutilisation.

En vous assurant que ce produit est bien éliminé correctement, vous contribuez à la prévention des conséquences négatives potentielles pour l'environnement et la santé.

Pour plus d'informations, contactez votre installateur ou l'autorité locale compétente.





Lees deze handleiding aandachtig vooraleer de unit op te starten. Gooi ze niet weg. Bewaar ze voor latere naslag.

Een verkeerde installatie of bevestiging van apparatuur of toebehoren kan een elektrische schok, kortsluiting, lekken, brand of andere schade aan de apparatuur veroorzaken. Gebruik alleen accessoires van Daikin die specifiek voor dit toestel zijn ontworpen en laat ze installeren door een professionele installateur.

Raadpleeg bij twijfel over de installatieprocedures of het gebruik altijd uw Daikin-verdeler voor advies en informatie.



De EEH (elektrische verwarmingskit) in optie kan niet worden gemonteerd op toestellen die voorzien zijn voor systemen met 4 leidingen.

VOORAFGAAND AAN DE INSTALLATIE

De installatie en onderhoud moeten worden uitgevoerd door technisch personeel dat bevoegd is voor dit type van toestel, en in overeenstemming met de geldende veiligheidsvoorschriften.

Controleer de staat van het toestel bij ontvangst, en kijk na of het tijdens het transport geen schade heeft opgelopen.

Zie de overeenkomstige technische fiches voor de montage en het gebruik van eventuele accessoires.

Identificeer het model en de versie van het toestel aan de hand van de informatie op het karton.

GEbruik EN BEDRIJFSBEPERKINGEN

Daikin is niet aansprakelijk

- als het toestel werd geïnstalleerd door onbevoegd personeel,
- als het toestel verkeerd werd gebruikt,
- als het toestel onder omstandigheden is gebruikt die niet zijn toegelaten,
- als de in deze handleiding beschreven onderhoudswerkzaamheden niet zijn uitgevoerd,
- als niet-originele reserveonderdelen zijn gebruikt.

Laat het toestel in de verpakking tot alles klaar is voor de installatie (dit voorkomt dat stof binnenin het toestel terecht komt).

Hieronder vindt u de bedrijfsbepalingen; alles wat hierbuiten valt, valt onder verkeerd gebruik:

- thermische vloeistof: water/glycol
- watertemperatuur: 5°C~95°C
- maximale bedrijfsdruk: 10 bar
- luchttemperatuur: 5°C~43°C
- Nominale voedingsspanning: 230V - 50 Hz
- Relatieve vochtigheidslimiet van de omgevingslucht: RH<85% zonder condensvorming

Keuze van de montageplaats:

Apparaten ontworpen voor de klimaatbeheersing van de omgevingslucht, bestemd voor gebruik in civiele comforttoepassingen

- installeer het toestel niet in een ruimte met ontvlambare gassen
- zorg ervoor dat er geen water rechtstreeks op het toestel spat;
- monteer het toestel alleen op plafonds of muren die het gewicht kunnen dragen. Voorzie voldoende ruimte rondom het toestel voor een juist gebruik en onderhoud van het toestel, en houd hierbij rekening met alle geïnstalleerde accessoires in optie.
- zet het verwarmingstoestel nooit recht onder een stopcontact.

AFMETINGEN (Zie afbeelding 1)

- 1 Vrije ruimte voor hydraulische aansluitingen^(*)

- 2 Gleuven voor muur-/plafondmontage 9 x 20 mm
- 3 Vrije ruimte voor elektrische aansluitingen^(*)
- 4 Hydraulische aansluitingen (4 DF = systeem met 4 leidingen)
- 5 Condensaatafvoer voor verticale installatie
- 6 Luchtuitlaat voor inbouwmodellen
- 7 Luchtaanzuiging voor inbouwmodellen
- 8 Condensaatafvoer voor horizontale installatie
- 9 Luchtuitlaat
- 10 Luchtinlaat

^(*) Aanduidingen voor toestellen met hydraulische aansluitingen aan de linkerkant; in het geval van aansluitingen aan de rechterkant zijn de aanduidingen voor "vrije ruimte" omgekeerd.

MONTAGE



Vooraleer de ventilatorconvactor te installeren moet men het volgende controleren:

- De plaats van installatie moet voldoende ruimte hebben om het toestel te zetten en er moet voldoende ruimte zijn voor de werkzaamheden van installatie en onderhoud (fig ruimte zie punt 2)
- De lucht passage mag geen obstructies ondervinden, zowel in aanzuiging als in toevoer.
- De hydraulische koppelingen moeten op de plaats zitten en maten hebben zoals door het toestel is vereist (fig.1).
- De elektrische voedingslijn moet de vereiste eigenschappen hebben zoals op het label met gegevens van de ventilatorconvactor



Bij de normale werking en met name met de ventilator op de minimumsnelheid en een omgevingslucht met een hoge relatieve vochtigheid, kan condens ontstaan op de luchtuittrede en bepaalde delen van de uitwendige structuur van het apparaat. Om dergelijke fenomenen te vermijden en het apparaat desondanks binnen de voor het apparaat voorziene bedrijfslimieten te houden, moet de (gemiddelde) temperatuur van het water in de warmtewisselaar beperkt worden. Het verschil tussen de druppeltemperatuur van de lucht (TA,DP) en de gemiddelde watertemperatuur (TWM) mag NIET groter zijn dan 14 °C volgens de volgende verhouding: TW>TA,DP-14 °C

Voorbeeld: bij omgevingslucht met een temperatuur van 25°C en een relatieve vochtigheid van 75% is de druppeltemperatuur gelijk aan 20 °C en dus moet het water in de warmtewisselaar een gemiddelde temperatuur hebben die hoger is dan 20-14 = 6 °C om te voorkomen dat condens kan ontstaan. Bij een lange stilstand van de unit, met stilstaande ventilator en de circulatie van koud water in de warmtewisselaar, kan ook op de buitenkant van het apparaat condens ontstaan. In dit geval wordt geadviseerd om een 3-wegklep (of 2-wegklep) te installeren zodat de waterstroom in de warmtewisselaar onderbroken kan worden wanneer de ventilator niet werkt.

Verwijder de eventuele omkasting door de 4 bevestigingsschroeven via de omhooggeheven zijdeuren los te draaien (zie afbeelding 2). In het geval van FWL- en FWR-versies moet u ook de 2 schroeven op het voorpaneel losdraaien.

Monteer de basisunit op de muur/het plafond met de 4 montagegleuven en de bijgeleverde ankerschroeven; voorzie minstens 100 mm tussen de vloer en het toestel voor een goede luchtaanzuiging en, bij FWV- FWZ- FWM- en FWS-modellen, om het verwijderen van het filter te vergemakkelijken. Controleer bij de plafondmodellen FWM- FWS- FWL en FWR of de montagehoogte overeenstemt met de gegevens in afbeelding 3 om te voorkomen dat zich in het bovenste deel van de kamer te veel warme lucht opstapelt; in het geval van een grotere montagehoogte raden we aan achteraan lucht aan te zuigen uit het onderste deel van de kamer. De montagehoogten zijn voor de maximale bedrijfssnelheid.

Voer de hydraulische aansluitingen met de warmtewisselaar uit en, in het geval van koeltoepassingen, met het waterafvoersysteem.

In het geval van koeltoepassingen moeten alle ter plaatse gemonteerde leidingen en fittingen worden geïsoleerd om te voorkomen dat condensaat op de vloer druppelt. Niet-geïsoleerde leidingen kunnen waterschade veroorzaken!

We raden aan de waterinlaat aan de onderkant van de warmtewisselaar te voorzien en de uitlaat aan de bovenkant.

Voor een betere waterafvoer moet de afvoerleiding minstens 3 cm/m naar beneden aflopen, en mag ze geen lussen bevatten of versmallen. De wateraansluitingen kunnen op de volgende manier worden veranderd:

- verwijder het voorpaneel van de basisunit (4 schroeven) bij FWV-modellen of de hoofdlekbak bij FWL- en FWM-modellen;
- verwijder het deksel van de warmtewisselaar (2 schroeven);
- verwijder de warmtewisselaar (4 schroeven) die op de zijpanelen van de basisunit is bevestigd;
- verwijder de onderste scheidingsplaat;
- maak de motorkabels los van de klemmenstrook;
- verwijder de klemmenstrook en monteer ze opnieuw aan de andere kant;
- verwijder de motorkabel en leg hem aan de andere kant; verwijder de rubberen drukhuls.
- verwijder de afvoerleiding en plaats ze aan de andere kant; zet de afvoerleiding op de plaats van de dop van de lekbak en breng de dop aan waar de leiding eerder was aangesloten.
- draai de warmtewisselaar 180° en plaats hem in het zijpaneel waarin gleuven zijn gemaakt; bevestig hem op de unit met de bijgeleverde schroeven;
- monteer de onderste scheidingsplaat weer op de onderkant;
- monteer het deksel van de warmtewisselaar weer;
- monteer het controlepaneel weer aan de andere kant van de wateraansluitingen in het geval van model FWV- en FWZ;
- breng de rubberen drukhuls aan in het gat waar de afvoerleiding was aangesloten, monteer de kabelbevestiging opnieuw op het zijpaneel en sluit de kabels weer aan op de klemmenstrook;
- monteer het voorpaneel (4 schroeven) weer bij FWV- en FWZ-modellen of de hoofdlekbak bij FWL- FWR- FWM en FWS-modellen;
- sluit de vroeger gebruikte gaten af met druiptwaterdicht materiaal.

Ontlucht de warmtewisselaar met de ontluchtungskranen (10 zeskantsleutel) naast de wateraansluitingen van de warmtewisselaar.

Bij FWM- en FWS-inbouwmodellen moet u de leidingen aansluiten op de unit en vervolgens dempmateriaal tussen de leiding en de unit aanbrengen.

De leidingen, en dan vooral de uitlaatleidingen, moeten geïsoleerd worden.

Om luchtchteraanzuiging op de unit te voorkomen moet u een minimale afstand tussen de luchtuitlaat en de gerecycleerde luchtstroom aanhouden zoals aangegeven in afbeelding 4.

De minimale montagehoogte moet minstens 1,8 m van de vloer zijn.

Bij een FWM- en FWS-model moet u een inspectie-opening op de unit voorzien.



De inbouwmodellen FWM- en FWS mogen niet voor het publiek toegankelijk zijn.

Bij een FWL- en FWR-model moet u de bodemplaat installeren zoals aangegeven in afbeelding 6.



Voor ventilatorconvectoren voorzien van elektrische hulpweerstand moet men controleren of eventuele verbrandingsmaterialen zich op minstens 30 cm afstand van het elektrische verwarmingselement bevinden



het is noodzakelijk de zijdeurtjes die kunnen worden geopend met een schroef vast te zetten wanneer er geen controles aan boord van de ventilatorconvector zijn

BEDRADING TER PLAATSE



Een erkend elektricien moet instaan voor het uitvoeren van de lokale bedrading en monteren van de onderdelen. Dit moet overeenkomstig de lokale en nationale voorschriften gebeuren.

Schakel het toestel uit voordat u de elektrische bedrading uitvoert. Raadpleeg afbeelding 5. Raadpleeg de overeenkomstige handleiding voor opties.

Controleer of de voeding overeenstemt met de nominale voeding aangegeven op het typeplaatje van de unit.

Voor iedere ventilatorconvector in de voedingslijn moet een omnipolaire netafsluiter aanwezig zijn van overspanningscategorie III".

Het stroomverbruik is aangegeven op het gegevensplaatje op de unit.

Voer de bedrading zorgvuldig uit afhankelijk van de combinatie unit/controller in overeenstemming met het juiste bedradingsschema dat bij elk accessoire wordt meegeleverd.

Bedrading - onderdelentabel

BK.....	Zwart = maximale snelheid
BU.....	Blauw = middelmatige snelheid
GNYE	Geel/groen = aardaansluiting
RD	Rood = minimale snelheid
WH.....	Wit = gemeenschappelijk
- - - -	Bedrading ter plaatse
F	Zekering (lokaal aan te kopen)
IL.....	Hoofdschakelaar (lokaal aan te kopen)
M.....	Motor
CN	Connector
COM-102	Aansluitingen naar controller

UITVOEREN VAN EEN TEST

Controleer of de unit perfect waterpas staat en of de afvoerleiding niet geblokkeerd is (stukken steen, e.d.).

Controleer of de wateraansluitingen (naar de warmtewisselaar en waterafvoer) waterdicht zijn.

Controleer of de elektrische bedrading stevig is aangesloten (voer deze controle uit met de stroom UIT).

Zorg ervoor dat de warmtewisselaar goed ontlucht is.

Breng de omkasting opnieuw aan (indien aanwezig).

Schakel de stroom in en controleer of het toestel werkt.

GEBRUIK

Zie de instructies in de montage- en gebruiksaanwijzing van de controller voor het gebruik van de unit. Specifieke controllers zijn verkrijgbaar als accessoire.

De luchtuitlaatroosters kunnen 180° worden gedraaid om zo de luchtstroom in de kamer of naar de muur waarop de unit is gemonteerd, te richten.

De roosters en de zijdeuren worden op de omkasting vastgeklikt. Schakel de stroom uit en trek veiligheidshandschoenen aan voordat u ze verwijdert en van plaats verandert.

ONDERHOUD EN REINIGING

Om veiligheidsredenen moet u vóór alle onderhouds- of reinigingswerkzaamheden de unit uitschakelen door de keuzeschakelaar op "Stop" te draaien en de hoofdschakelaar op 0 (OFF).

Onderhoud



Onderhoudswerkzaamheden mogen uitsluitend door een door de constructeur erkend centrum voor assistentie of door gekwalificeerd personeel worden uitgevoerd.

Wees voorzichtig bij onderhoudswerkzaamheden; sommige metalen delen kunnen letsels veroorzaken; draag veiligheidshandschoenen.

Voor de units is geen speciaal onderhoud vereist: alleen het luchtfilter moet regelmatig worden gereinigd.

De unit heeft een inlooptijd van 100 uur om alle mechanische wrijving te overkomen.

De unit moet worden opgestart op maximale snelheid.

Volg de instructies hieronder voor een goede werking van de units:

- houd het luchtfilter schoon;
- giet geen vloeistoffen in de unit;
- steek geen metalen voorwerpen door het luchtuitlaatrooster.
- blokkeer de luchtinlaat en -uitlaat nooit.
Telkens het toestel na een lange periode van stilstand wordt ingeschakeld, moet u de warmtewisselaar controleren op de aanwezigheid van lucht.

Alvorens de unit te gebruiken voor airconditioning, moet u controleren of:

- het condensaat goed wordt afgevoerd;
- de lamellen van de warmtewisselaar niet door vuil worden geblokkeerd. Maak indien nodig de lamellen schoon met perslucht onder lage druk of stoom zonder de lamellen te beschadigen.

Reinigen



De schoonmaak van de filter mag uitsluitend door een door de constructeur erkend centrum voor assistentie of door gekwalificeerd personeel worden uitgevoerd.

Maak het filter minstens één keer per maand schoon en zeker voordat u de unit in gebruik neemt (voor het verwarmings- of airconditioningseizoen).

Ga als volgt te werk om het filter schoon te maken (afbeelding 7)

- **type FWV- en FWZ**
draai de schroeven waarmee het filter op de omkasting is vastgemaakt 90° en verwijder het filter.
- **type FWL- en FWR**
verwijder de luchtfilters in de luchtinlaatroosters op het voorpaneel van de omkasting,
- **inbouwmodel FWM- en FWS**
verwijder het filter via het inspectiepaneel, waarbij u de opsluitbeugels 90° draait,
- maak het filter schoon met lauwwater, of in het geval van droog stof, met perslucht,
- laat het filter drogen en monteer het opnieuw.

We bevelen aan het luchtfilter jaarlijks te vervangen en originele reserveonderdelen te gebruiken. De modelnaam van de unit vindt u op het typeplaatje op het zijpaneel van de basisunit.

Ga als volgt te werk om de omkasting schoon te maken:

- gebruik een zachte doek;
- giet geen vloeistof op de unit, aangezien dit anders elektrische schokken kan veroorzaken of de interne componenten beschadigen;
- gebruik geen bijtende oplosmiddelen; maak het luchtuitlaatrooster niet schoon met heet water.

EISEN BIJ HET ONTMANTELEN

Het ontmantelen van de unit moet gebeuren in overeenstemming met de relevante lokale en nationale wetgeving.

STORINGSOPSPORING

Als de unit niet goed werkt, controleer dan eerst de punten in de tabel hierna voordat u service vraagt. Neem contact op met uw dealer of servicecentrum als het probleem niet kan worden opgelost.

Symptom 1: De unit doet het helemaal niet

MOGELIJKE OORZAKEN	WAT TE DOEN
Stroompanne	Repareer de stroompanne
Aardlekschakelaar geactiveerd	Neem contact op met het servicecentrum
De schakelaar staat op STOP ("0")	Schakel de unit IN, zet de schakelaar op "I"

Symptom 2: Slechte koel- of verwarmingsprestaties

MOGELIJKE OORZAKEN	WAT TE DOEN
Vuil of verstopt luchtfilter	Maak het luchtfilter schoon
Obstakel bij de luchtinlaat of -uitlaat	Verwijder het obstakel
Lucht in de warmtewisselaar	Neem contact op met de installateur
Deuren en vensters staan open	Sluit de deuren en vensters
De unit draait op lage snelheid	Selecteer middelmatige of hoge ventilatorsnelheid

Symptom 3: De unit lekt

MOGELIJKE OORZAKEN	WAT TE DOEN
De unit staat niet waterpas	Neem contact op met de installateur
De lekbak is verstopt	Neem contact op met de installateur

De eenheden zijn gemarkeerd met het volgende symbool:



Dit betekent dat elektrische en elektronische producten niet mogen worden gemengd met niet-gesorteerd huishoudelijk afval.

NIET proberen het systeem zelf te ontmantelen: de ontmanteling van het systeem, de behandeling van het koelmiddel, de olie en de andere onderdelen moet worden uitgevoerd door een erkende installatietechnicus en moet voldoen aan de toepasselijke wetgeving.

De eenheden moeten worden behandeld in een gespecialiseerde verwerkingsinstallatie voor hergebruik, recycling en terugwinning.

Door ervoor te zorgen dat dit product correct wordt verwijderd, draagt u uw steentje bij om milieubederf en schade aan de gezondheid te voorkomen.

Neem voor verdere informatie contact op met uw installatietechnicus of de lokale overheid.





Lea detenidamente este manual antes de arrancar la unidad. No lo tire. Manténgalo en sus archivos para futuras consultas.

La instalación o colocación inadecuada del equipo o accesorios podría causar electrocución, cortocircuito, fugas, incendio u otros daños al equipo. Asegúrese de utilizar únicamente accesorios fabricados por Daikin, que están diseñados específicamente para su uso con el equipo y haga que los monte un instalador profesional.

En caso de duda sobre los procedimientos de instalación o uso del equipo solicite siempre consejo e información de su distribuidor Daikin.



El kit de calefactor eléctrico (EEH) no se puede montar en unidades previstas para sistemas de 4 tuberías.

ANTES DE LA INSTALACIÓN

La instalación y el mantenimiento deberían ser realizados por personal técnico cualificado para este tipo de máquinas, conforme a la normativa de seguridad actual.

Al recibir la unidad compruebe su estado y verifique cualquier posible daño ocurrido durante el transporte.

Consulte las hojas técnicas relevantes para la instalación y el uso de posibles accesorios.

Identifique el modelo y la versión de la unidad a partir de las indicaciones que aparecen en el embalaje.

USO Y LÍMITES OPERATIVOS

Daikin no se hace responsable

- si la unidad ha sido instalada por personal no cualificado,
- si la unidad ha sido utilizada indebidamente,
- si la unidad ha sido utilizada bajo condiciones no permitidas,
- si no se han realizado las operaciones de mantenimiento especificadas en este manual,
- si no se han utilizado piezas de recambio originales.

Mantenga la unidad dentro de su embalaje hasta el momento de la instalación, para evitar que se introduzca polvo en su interior.

A continuación aparecen los límites operativos; cualquier otro uso se considera indebido:

- fluido térmico: mezcla agua/glicol
- temperatura del agua: 5°C~95°C
- máxima presión operativa: 10 bar
- temperatura del aire: 5°C~43°C
- Tensión nominal de alimentación: 230V - 50 Hz
- Límite de humedad relativa del aire del ambiente: RH<85% sin condensación

Selección del emplazamiento:

Aparatos diseñados para la climatización del aire ambiental y destinados a ser utilizados en aplicaciones de confort civil.

- no instale la unidad en salas con presencia de gases inflamables
- impida las salpicaduras directas de agua en la unidad;
- instale la unidad en techos o paredes que soporten su peso. Deje suficiente espacio alrededor de la unidad para permitir una adecuada operación y mantenimiento de la misma, teniendo en cuenta todos los accesorios opcionales instalados.
- nunca coloque la unidad calefactora directamente debajo de un enchufe eléctrico.

DIMENSIONES (Ver figura 1)

- 1 Deje espacio suficiente para las conexiones hidráulicas^(*)
- 2 Ranuras de montaje sobre pared/techo de 9 x 20mm.
- 3 Deje espacio suficiente para las conexiones eléctricas^(*)

- 4 Conexiones hidráulicas (4 DF = sistema de 4 tuberías)
- 5 Drenaje de la condensación para instalación vertical
- 6 Salida de aire para los modelos empotrados
- 7 Admisión de aire para los modelos empotrados
- 8 Drenaje de la condensación para instalación horizontal
- 9 Salida de aire
- 10 Entrada de aire

^(*) Indicaciones para unidades con conexiones hidráulicas en el lado izquierdo; en el caso de las conexiones en el lado derecho, siga las instrucciones para "disponer el espacio de instalación" en modo inverso.

INSTALACIÓN



Antes de instalar el ventilador, asegúrese de lo siguiente:

- El lugar de instalación debe tener un espacio suficiente para contener el equipo, y debe tener los espacios necesarios para las operaciones de instalación y mantenimiento (fig. espacios requeridos punto 2).
- No debe haber obstrucciones para el paso del aire tanto de aspiración como de impulsión.
- La posición y las medidas de los empalmes hidráulicos deben cumplir con las exigencias del equipo (fig.1).
- La línea eléctrica de alimentación debe tener las características requeridas por los datos técnicos del ventilador.



Durante su funcionamiento normal, en especial con un ventilador a la velocidad mínima y el aire del ambiente con humedad relativa elevada, puede que se forme condensación en el envío de aire y en algunas zonas de la estructura del aparato. Para evitar esto, siempre permaneciendo dentro de los límites de trabajo previstos para el aparato, es necesario limitar la temperatura (media) del agua dentro del intercambiador. En particular, la diferencia entre la temperatura de rocío del aire (TA,DP) y la temperatura media del agua (TWM) NO debe ser superior a 14 °C, según la siguiente relación: $TW > TA, DP - 14 \text{ °C}$

Por ejemplo: en el caso de aire ambiental a 25°C con 75% de humedad relativa, el valor de la temperatura de rocío equivale a unos 20 °C, por lo tanto, la temperatura media del agua en la batería deberá ser superior a $20 - 14 = 6 \text{ °C}$ para evitar que se forme condensación. Si el terminal permanece en parada por largo tiempo, con el ventilador detenido y circulación de agua fría en el intercambiador, es posible que se forme condensación también en la parte exterior del aparato. En este caso es recomendable montar como accesorio una válvula de 3 vías (o 2 vías), de manera que el flujo de agua en la batería se interrumpa cuando el ventilador está parado.

Retire el armario, si procede, desatornillando los 4 tornillos de fijación a los que puede acceder a través de las puertas laterales elevadas (consulte la figura 2). En el caso de las versiones FWL y FWR, desatornille también los 2 tornillos del panel frontal.

Instale la unidad básica a la pared o al techo en las 4 ranuras de montaje usando los pernos de anclaje suministrados y situando la unidad al menos a 100 mm. sobre el suelo para permitir una aspiración del aire adecuada y para retirar fácilmente el filtro en el caso de los modelos FWV, FWZ, FWM y FWS. En el caso de los modelos de techo FWM, FWS, FWL y FWR, compruebe que la altura de instalación se corresponde con las especificaciones que se muestran en la figura 3, para evitar una estratificación de aire caliente excesiva en la parte superior de la sala; en caso de instalación a grandes alturas le sugerimos que proceda con la aspiración trasera desde la parte más baja de la sala. Las alturas de instalación se refieren a la velocidad máxima de funcionamiento.

Monte las conexiones hidráulicas al intercambiador de calor y si la instalación funciona en modo refrigeración, monte las conexiones hidráulicas al sistema de drenaje de agua.

En el caso de instalaciones de refrigeración, asegúrese de aislar todas las tuberías y racores instalados independientemente para

evitar que caigan gotas de agua al suelo. ¡Las tuberías que no están aisladas pueden ocasionar daños causados por el agua!

Le sugerimos que disponga la parte inferior del intercambiador de calor para la entrada de agua y la parte superior del mismo para la salida del agua.

Si desea lograr un óptimo drenaje del agua, incline la tubería de drenaje hacia abajo al menos 3 cm/m, para evitar de este modo los bucles o los estrechamientos de la misma.

Es posible cambiar el lado de las conexiones hidráulicas del siguiente modo:

- retire la cubierta del panel frontal de la unidad básica (4 tornillos) en el caso de los modelos FWV y FWZ o de la bandeja principal de goteo en el caso de los modelos FWL, FWR, FWM y FWS;
- retire la cubierta del intercambiador de calor (2 tornillos);
- retire el intercambiador de calor (4 tornillos) fijado sobre los paneles laterales de la unidad básica;
- retire la placa de división inferior;
- desconecte los cables del motor de la regleta de conexiones;
- retire la regleta de conexiones y móntela de nuevo en el lado opuesto;
- extraiga el cable del motor y móntelo en el lado opuesto; retire el casquillo de goma;
- retire la tubería de drenaje y móntela en el lado opuesto; ajuste la tubería de drenaje en el lugar del tapón de cierre de la bandeja de goteo;
- gire el intercambiador de calor 180° e insértelo en el panel lateral retirando las ranuras pre-troqueladas; fíjelo a la unidad a través de los tornillos suministrados;
- vuelva a montar la placa de división inferior en el lado inferior;
- vuelva a montar la cubierta del intercambiador de calor;
- vuelva a montar el panel de control opuesto a las conexiones hidráulicas en el caso del modelo FWV y FWZ;
- inserte el casquillo de goma en el agujero que previamente se utilizó para la tubería de drenaje, vuelva a montar la abrazadera de plástico para cables en el panel lateral y vuelva a montar los cables, conectándolos a la regleta de conexiones;
- vuelva a montar la cubierta del panel frontal (4 tornillos) en el caso de los modelos FWV y FWZ, o bien, la bandeja principal de goteo para los modelos FWL, FWR, FWM y FWS;
- cierre los agujeros previamente utilizados usando material sellador.

Realice la purga desde el intercambiador de calor, operando las válvulas de aireación (llave hexagonal del 10) situadas junto a las conexiones hidráulicas del intercambiador de calor.

En el caso de los modelos empotrados FWM y FWS, acople los tubos a la unidad y aplique sellador entre cada tubo y la unidad.

Los tubos, sobre todo los tubos de salida, deben quedar aislados.

Para evitar el reflujó de aire en la unidad, disponga una distancia mínima entre la salida de aire y el caudal de aire recuperado como se muestra en la figura 4.

La altura mínima de instalación no debe ser inferior a 1,8 m del nivel del suelo.

En el caso de los modelos FWM y FWS, disponga un puerto de inspección para la unidad.



Los modelos empotrables FWM y FWS no deben quedar accesibles para el público.

En el caso de los modelos FWL y FWR, instale la placa inferior conforme a la figura 6.



Para los ventiloconvectores provistos de resistencia eléctrica auxiliar, asegúrese de que los posibles materiales combustibles se encuentren a una distancia mínima de 30 cm del elemento de calefacción.



Es necesario fijar con tornillos las puertas laterales que pueden abrirse a falta de controles instalados en el ventiloconvector.

CABLEADO DE OBRA



Todo el cableado en obra y los componentes deben ser instalados por un electricista autorizado y deben cumplir con las regulaciones locales y nacionales pertinentes.

Desconecte la alimentación eléctrica antes de instalar el cableado eléctrico. Consulte la figura 5. Para los detalles, consulte el manual adecuado al respecto.

Compruebe que el suministro eléctrico se corresponde con las características de suministro eléctrico nominal que aparecen en la placa de especificaciones de la unidad.

Para cada ventiloconvector en la línea de alimentación debe haber presente un disyuntor de red omnipolar en categoría de sobretensión III".

El consumo eléctrico se muestra en la placa de especificaciones de la unidad, fijada a la misma.

Asegúrese de realizar la instalación del cableado con precaución, en función de la combinación unidad/ controlador y ello conforme al diagrama de cableado correcto suministrado con cada accesorio.

Tabla de partes del cableado

BK.....	Negro = velocidad máxima
BU.....	Azul = velocidad intermedia
GYE	Amarillo/verde = conexión a tierra
RD	Rojo = velocidad mínima
WH.....	Blanco = común
---	Cableado de obra
F	Fusible (suministro independiente)
IL.....	Interruptor principal (suministro independiente)
M.....	Motor
CN	Conector
COM-102	Conexiones al controlador

PRUEBA DE FUNCIONAMIENTO

Asegúrese de que la unidad está perfectamente nivelada y que la tubería de drenaje no está obstruida (por depósitos de residuos, etc.)

Asegúrese de que las conexiones hidráulicas (al intercambiador de calor y a la tubería de drenaje de agua) están selladas.

Compruebe la total estanqueidad del cableado (realice esta comprobación con el suministro eléctrico apagado en OFF).

Asegúrese de que la purga de aire del intercambiador de calor se ha realizado correctamente.

Sustituya el armario (si procede).

Encienda el suministro eléctrico y compruebe el funcionamiento de la unidad.

OPERACIÓN

Para operar la unidad, consulte las instrucciones en el manual de instalación y operación del controlador. Hay controladores independientes disponibles como accesorio.

Los deflectores de salida de aire pueden regularse a 180° para dirigir el caudal de aire al interior de la sala o hacia la pared sobre la que está montada la unidad.

Los deflectores y las puertas laterales están integrados en el armario. Antes de retirarlos para cambiarlos de posición, apague el suministro eléctrico (OFF) y utilice guantes protectores.

MANTENIMIENTO Y LIMPIEZA

Por razones de seguridad, antes de realizar cualquier tarea de mantenimiento o limpieza, apague la unidad ajustando el interruptor de selección a "Stop" y el interruptor de suministro eléctrico en posición 0 (OFF).

Mantenimiento



Las operaciones de mantenimiento deben ser llevadas a cabo exclusivamente por un centro de asistencia autorizado por el fabricante o por personal cualificado.

Tome precauciones al realizar tareas de mantenimiento; podría sufrir lesiones al entrar en contacto con algunas partes metálicas de la unidad; utilice guantes protectores.

Las unidades no requieren ninguna operación de mantenimiento especial: sólo se debe limpiar periódicamente el filtro de aire.

Es necesario realizar una prueba de funcionamiento de 100 horas para eliminar todas las fricciones mecánicas.

El arranque se debe realizar a velocidad máxima.

Para que la unidad funcione adecuadamente, siga las siguientes instrucciones:

- mantenga limpio el filtro de aire;
- no vierta líquidos en la unidad;
- no introduzca piezas metálicas a través de la rejilla de salida de aire.
- mantenga la entrada y la salida de aire siempre despejada.
Cada vez que la máquina se enciende después de un periodo de inactividad, asegúrese de que no haya entrado aire en el intercambiador de calor.

Antes de poner en funcionamiento la unidad de aire acondicionado compruebe los siguientes puntos:

- el drenaje de la condensación se realiza correctamente;
- las aletas del intercambiador de calor no están obstruidas por depósitos de suciedad. Si procede, limpie las aletas con aire comprimido a baja presión o con vapor, evitando dañar las aletas.

Limpieza



La limpieza del filtro debe ser llevada a cabo exclusivamente por un centro de asistencia autorizado por el fabricante o por personal cualificado.

Limpie el filtro al menos una vez al mes y en todo caso, antes de poner en funcionamiento la unidad (antes del calentamiento o de cada estación de aire acondicionado).

Para limpiar el filtro de aire siga los siguientes pasos (figura 7)

- **modelo FWV y FWZ**
desenrosque los tornillos de fijación del filtro a la cubierta del armario 90° y retire el filtro.
- **modelo FWL y FWR**
retire los filtros de aire que se encuentran dentro de los deflectores de admisión ubicados en el panel frontal de la cubierta del armario,
- **modelo empotrado FWM y FWS**
acceda a la unidad a través del panel de inspección y retire el filtro girando las abrazaderas de bloqueo 90°,
- limpie el filtro con agua tibia o en caso de polvo seco, limpie el filtro con aire comprimido,
- vuelva a montar el filtro después de haberlo secado.

Se recomienda sustituir el filtro de aire una vez al año y utilizar piezas de recambio originales. El nombre del modelo de la unidad aparece en la placa de especificaciones ubicada en el panel lateral de la unidad básica.

Para limpiar el armario de la unidad, haga lo que sigue:

- utilice un paño suave;

- no vierta ningún líquido sobre la unidad, ya que podría provocar descargas eléctricas o dañar los componentes internos de la unidad;
- no utilice detergentes agresivos; no emplee agua demasiado caliente para limpiar la rejilla de salida de aire.

REQUISITOS RELATIVOS AL DESECHO DE RESIDUOS

El desmontaje de la unidad debe realizarse de acuerdo con la normativa relevante local y nacional.

SOLUCIÓN DE PROBLEMAS

Si la unidad no funciona correctamente compruebe primero los puntos que aparecen en la siguiente tabla, antes de solicitar asistencia técnica. Si no puede solucionar el problema póngase en contacto con su distribuidor o centro de asistencia técnica.

Symptom 1: La unidad no funciona

CAUSAS POSIBLES	ACCIÓN CORRECTORA
Fallo del suministro eléctrico	Encienda el suministro eléctrico
Se ha fundido el fusible	Póngase en contacto con el centro de asistencia técnica
El interruptor está en posición de STOP ("0")	Ajuste el interruptor en posición "I" de encendido.

Symptom 2: No refrigera o calienta como debiera

CAUSAS POSIBLES	ACCIÓN CORRECTORA
El filtro de aire está sucio o atascado	Limpie el filtro del aire.
Obstáculo centra de la entrada o salida de aire	Retire el obstáculo
Hay aire dentro del intercambiador de calor	Póngase en contacto con el instalador
Puertas y ventanas están abiertas	Cierre puertas y ventanas
La unidad funciona a velocidad baja	Seleccione velocidad del ventilador intermedia o alta

Symptom 3: La unidad gotea

CAUSAS POSIBLES	ACCIÓN CORRECTORA
La unidad no está nivelada	Póngase en contacto con el instalador
La bandeja de goteo está obstruida	Póngase en contacto con el instalador

Las unidades están marcadas con el siguiente símbolo:



Esto significa que los productos eléctricos y electrónicos no pueden mezclarse con los residuos domésticos no clasificados.

NO intente desmontar el sistema usted mismo: El desmontaje del sistema, así como el tratamiento del refrigerante, del aceite y de las demás partes, deben ser efectuados por un instalador autorizado, y deben ajustarse a la normativa aplicable.

Las unidades deben ser tratadas en una instalación especializada para su reutilización, reciclaje y recuperación.

Al asegurarse de que este producto es desechado correctamente, contribuirá a evitar potenciales consecuencias negativas para el medio ambiente y para la salud humana.

Para obtener más información, comuníquese con su instalador o con las autoridades locales.





Prima di mettere in funzione l'unità leggere attentamente questo manuale. Non gettarlo via e riporlo in un luogo sicuro in modo che sia disponibile per qualsiasi necessità futura.

L'installazione o il montaggio impropri dell'unità o degli accessori potrebbero dar luogo a folgorazioni, cortocircuiti, perdite oppure danni ad altre parti dell'unità. Accertarsi di utilizzare solo accessori prodotti da Daikin, che sono progettati specificamente per essere utilizzati con l'unità e devono essere installati da professionisti.

Contattare l'installatore Daikin per ricevere consigli e informazioni in caso di dubbi sulle procedure di montaggio o d'uso.



Il kit opzionale dell'apparecchio di riscaldamento elettrico (EEH) non può essere montato unità a 2-tubi con batteria a 4 ranghi e su unità a 4-tubi.

PRIMA DELL'INSTALLAZIONE

L'installazione e la manutenzione dovranno essere effettuate da tecnici professionisti specializzati, in rispetto con le attuali normative sulla sicurezza.

Al ricevimento dell'unità controllarne lo stato e verificare che non abbia subito danni durante il trasporto.

Consultare le relative schede tecniche in caso di installazione o utilizzo di accessori.

Identificare il modello e la versione dell'unità dalle indicazioni riportate sul cartone dell'imballaggio.

LIMITI PER L'UTILIZZO E IL FUNZIONAMENTO

Daikin non potrà essere ritenuta responsabile se

- l'unità è stata installata da personale non qualificato;
- l'unità è stata utilizzata in modo improprio;
- l'unità è stata utilizzata in condizioni non consentite;
- non sono stati eseguiti gli interventi di manutenzione specificati nel presente manuale;
- non sono stati utilizzati ricambi originali.

Per evitare depositi di polvere al suo interno, lasciare l'unità nel proprio imballaggio fino al momento dell'effettiva installazione. Qui di seguito sono riportati i limiti operativi dell'unità, mentre tutti gli altri usi sono considerati impropri:

- fluido termico: acqua/glicole
- temperatura dell'acqua: 5°C~95°C
- pressione operativa massima: 10 bar
- temperatura dell'aria: 5°C~43°C
- tensione nominale di alimentazione: 230V - 50 Hz
- Limite di umidità relativa dell'aria ambiente: RH<85% non condensante

Scelta della posizione d'installazione:

Apparecchi progettati per la climatizzazione dell'aria ambiente e destinati all'utilizzo in applicazioni di comfort civile.

- non installare l'unità in ambienti in cui sono presenti gas infiammabili;
- non indirizzare il getto dell'acqua direttamente sull'unità;
- installare l'unità su soffitti e pareti in grado di sostenerne il peso; nell'aria circostante all'unità, lasciare uno spazio sufficiente per

operare l'unità e svolgere i necessari interventi di manutenzione, considerando tutti gli accessori opzionali installati;

- non posizionare l'unità di riscaldamento direttamente sotto una spina/presa elettrica.

DIMENSIONI (Vedere la figura 1)

- 1 Spazio libero per i collegamenti idraulici^(*)
- 2 Fessure 9 x 20 mm per il montaggio a soffitto/parete
- 3 Spazio libero per i collegamenti elettrici^(*)
- 4 Collegamenti idraulici (4 DF = sistema a 4 tubi)
- 5 Drenaggio della condensa per l'installazione verticale
- 6 Uscita aria per i modelli incassati
- 7 Aspirazione aria per i modelli incassati
- 8 Drenaggio della condensa per l'installazione orizzontale
- 9 Uscita aria
- 10 Ingresso dell'aria

^(*) Queste indicazioni sono applicabili ad apparecchi che presentano collegamenti idraulici sul lato sinistro, se posti sul lato destro le indicazioni per lo "spazio libero" sono da considerarsi invertite.

INSTALLAZIONE



Prima d'installare il ventilconvettore assicurarsi che:

- il luogo d'installazione abbia uno spazio sufficiente a contenere l'apparecchio e che ci siano gli spazi necessari per le operazioni d'installazione e manutenzione.
- non vi siano ostruzioni al passaggio dell'aria sia in aspirazione sia in mandata.
- gli attacchi idraulici abbiano posizione e misure come richiesti dall'apparecchio (vedi figura 1).
- la linea elettrica d'alimentazione abbia le caratteristiche richieste dai dati di targia del ventilconvettore.



Nel funzionamento normale, in particolare con ventilatore alla velocità minima ed aria ambiente con elevata umidità relativa, è possibile che si verifichi formazione di condensa sulla mandata aria e su alcune parti della struttura esterna dell'apparecchio. Per evitare tali fenomeni, sempre rimanendo all'interno dei limiti di lavoro previsti per l'apparecchio, è necessario limitare la temperatura (media) dell'acqua all'interno dello scambiatore. In particolare occorre che la differenza fra la temperatura di rugiada dell'aria (TA,DP) e la temperatura media dell'acqua (TWM) NON sia superiore a 14 °C, secondo la relazione: $TW > TA, DP - 14 \text{ °C}$

Esempio: nel caso di aria ambiente a 25°C con il 75% di umidità relativa il valore di temperatura di rugiada è pari a circa 20 °C e dunque la temperatura media dell'acqua in batteria dovrà essere superiore a: $20 - 14 = 6 \text{ °C}$ al fine di evitare fenomeni di condensa su fancoil provvisto di valvola.

$20 - 12 = 8 \text{ °C}$ qualora non si possa installare l'accessorio kit valvole.

In caso di sosta prolungata del terminale, con ventilatore fermo e circolazione di acqua fredda nello scambiatore, è possibile che si formi condensa anche all'esterno dell'apparecchio. In questo caso è consigliabile installare l'accessorio valvola a 3 vie (o 2 vie) in modo da interrompere il flusso d'acqua in batteria quando il ventilatore è fermo.

Togliere il telaio esterno, se presente, svitando le 4 viti di fissaggio raggiungibili attraverso gli sportelli laterali rialzati (vedi figura 2). Nel caso delle versioni FWL e FWR, svitare anche le 2 viti sul pannello frontale.

Installare l'apparecchio rispettando le distanze dalle pareti indicati nella figura 8.

Installare l'unità base a soffitto/parete, utilizzando le 4 fessure di montaggio e le viti di ancoraggio fornite, mantenendo l'unità ad almeno 100 mm dal pavimento per permettere un'aspirazione dell'aria adeguata e una facile estrazione del filtro nel caso dei modelli FWV, FWZ, FWM e FWS. Per i modelli a soffitto FWM, FWS, FWL e FWR controllare che l'altezza dell'installazione corrisponda a quanto specificato nella figura 3 per evitare un'eccessiva stratificazione di aria calda nella parte superiore della stanza. In caso di altezze di installazione maggiori, si consiglia di procedere con il risucchio dalla parte inferiore della stanza. L'altezza dell'installazione dipende dalla velocità max. di funzionamento.

Eseguire i collegamenti idraulici con lo scambiatore di calore e in presenza del funzionamento di raffreddamento anche con il sistema di drenaggio dell'acqua.

Per le applicazioni di raffreddamento, assicurarsi di isolare tutte le tubature e gli attacchi installati in loco, per evitare il gocciolamento della condensa sul pavimento. Le tubature non isolate provocano danni.

Consigliamo di prevedere l'ingresso dell'acqua dal fondo dello scambiatore di calore e l'uscita dalla parte superiore.

Per un migliore drenaggio dell'acqua, inclinare il tubo di scarico verso il basso di almeno 3 cm/m, evitando di creare nodi o di restringere il passaggio dell'acqua. È possibile cambiare il lato dei collegamenti del circuito acqua procedendo nel seguente modo:

- rimuovere il pannello frontale di copertura dell'unità base (4 viti) per i modelli FWV e FWZ o il gocciolatoio principale per i modelli FWL, FWR, FWM e FWS;
- rimuovere il coperchio dello scambiatore di calore (2 viti);
- rimuovere lo scambiatore di calore (4 viti) fissato ai pannelli laterali dell'unità base;
- togliere il divisorio inferiore;
- scollegare i cavi del motore dalla morsettiera;
- rimuovere la morsettiera e rimontarla nel lato opposto;
- estrarre il cavo del motore e metterlo nel lato opposto; rimuovere la boccola a scatto in gomma;
- rimuovere il tubo di scarico e collocarlo nel lato opposto, posizionare il tubo di scarico nel posto in cui si trova il tappo di chiusura del gocciolatoio e rimettere il tappo nella posizione in cui originariamente era il tubo di scarico;
- ruotare lo scambiatore di calore di 180° e infilarlo nel pannello laterale, togliendo le fessure pretagliate, quindi fissarlo all'unità mediante le viti in dotazione;
- rimontare il divisorio inferiore sul fondo;
- rimontare il coperchio dello scambiatore;
- riassemble il pannello di controllo di fronte ai collegamenti del circuito acqua per il modello FWV e FWZ;
- inserire la boccola a scatto in gomma nel foro precedentemente usato per il tubo di scarico, rimontare il fermacavo sul pannello laterale e riassemble i cavi collegandoli alla morsettiera;
- riassemble il pannello frontale di copertura (4 viti) per i modelli FWV e FWZ o il gocciolatoio principale per i modelli FWL, FWR, FWM e FWS;
- chiudere i fori precedentemente usati utilizzando del materiale antigoccia.

Eseguire lo spurgo dallo scambiatore di calore agendo sulle valvole di sfogo dell'aria (chiave esagonale da 10), posizionate accanto ai collegamenti del circuito acqua dello scambiatore.

Per i modelli incassati FWM e FWS, eseguire i collegamenti tra l'unità e i condotti e mettere del materiale isolante tra il condotto e l'unità.

I condotti, in particolare quelli d'uscita, devono essere isolati.

Per evitare il risucchio sull'unità, tenere una distanza minima tra l'uscita dell'aria e il flusso dell'aria recuperato, come mostrato nella figura 4.

L'altezza minima dell'installazione non deve essere inferiore a 1,8 m dal livello del pavimento.

Per i modelli FWM e FWS, si consiglia di prevedere una porta d'ispezione per l'unità.



I modelli ad incasso FWM e FWS non devono essere accessibili al pubblico.

Per i modelli FWL e FWR, installare la piastra di fondo in conformità alla figura 6.



Per i ventilconvettori dotati di resistenza elettrica ausiliaria, assicurarsi che eventuali materiali combustibili si trovino ad una distanza minima di 30 cm dall'elemento elettrico scaldante.



È necessario fissare con viti le portelle laterali apribili in mancanza di controlli a bordo del ventilconvettore.

COLLEGAMENTI DA EFFETTUARSI IN LOCO



Sia i collegamenti elettrici che l'installazione dei componenti devono essere eseguiti esclusivamente da un elettricista qualificato ed in conformità alle relative specifiche della normativa locale vigente.

Eseguire i collegamenti elettrici dopo aver scollegato l'alimentazione. Fare riferimenti alla figura 5. Per le varie opzioni, consultare il relativo manuale.

Verificare che l'alimentazione corrisponda all'alimentazione nominale riportata sulla targhetta informativa dell'unità.

Ogni unità necessita di un selezionatore di rete onnipolare in categoria di sovratensione III.

Il consumo di corrente è indicato sui dati riportati nella targhetta posta sull'unità.

Accertarsi di eseguire i collegamenti elettrici in funzione della combinazione unità/controller e in conformità allo schema elettrico in dotazione con ogni accessorio.

Tabella componenti elettrici

BK.....	Nero = velocità massima
BU.....	Blu = velocità media
GNYE	Giallo/Verde = collegamento a terra
RD	Rosso = velocità minima
WH.....	Bianca = comune
- - -	Collegamenti da effettuarsi in loco
F	Fusibile (non di fornitura)
IL.....	Interruttore principale (non di fornitura)
M.....	Motore
CN	Connettore
COM-102	Collegamenti al controller

PROVA DI FUNZIONAMENTO

Verificare il perfetto livellamento dell'unità e accertarsi che tubo di scarico non sia ostruito (depositi di piccoli detriti, ecc.)

Verificare l'isolamento dei collegamenti del circuito acqua (verso lo scambiatore di calore e il drenaggio dell'acqua).

Verificare che i collegamenti elettrici siano ben saldi (eseguire tale controllo a tensione disinserita (OFF)).

Accertarsi che lo spurgo dello scambiatore di calore sia stato eseguito correttamente.

Sostituire il telaio esterno (se esistente).

Accendere l'interruttore principale e verificare il funzionamento dell'unità.

Uso

Per informazioni sull'uso dell'unità, consultare le istruzioni riportate nel manuale d'installazione e di funzionamento dell'unità di comando. Le unità di comando dedicate sono disponibili come accessori.

È possibile ruotare le griglie di uscita dell'aria a 180° per direzionare il flusso verso la stanza o verso la parete su cui l'unità è stata montata.

Le griglie e le parti laterali sono incassate nel telaio esterno. Prima di rimuoverle per cambiare la loro posizione, disinserire l'alimentazione e indossare un paio di guanti protettivi.

MANUTENZIONE E PULIZIA

Per motivi di sicurezza, prima di eseguire qualsiasi operazione di manutenzione o di pulizia, spegnere l'unità portando il selettore su "Stop" e l'interruttore principale nella posizione 0 (OFF).

Manutenzione



Le operazioni di manutenzione devono essere effettuate esclusivamente da un centro assistenza autorizzato dal costruttore o da personale qualificato.

Durante ogni intervento di manutenzione prestare particolare attenzione, poiché alcune parti metalliche potrebbero causare delle lesioni: Utilizzare pertanto un paio di guanti protettivi.

L'unità non richiede una particolare manutenzione: è necessario eseguire soltanto la pulizia periodica del filtro dell'aria.

È necessario far funzionare l'unità per 100 ore per eliminare qualsiasi tipo di frizione meccanica.

L'unità deve essere riavviata alla velocità massima.

Per un buon funzionamento delle apparecchiature, seguire le seguenti istruzioni:

- tenere pulito il filtro dell'aria;
- non versare liquidi nell'unità;
- non introdurre componenti metallici attraverso la griglia di uscita dell'aria;
- mantenere sempre liberi ingresso e uscita dell'aria.
Ogni volta che si riaccende il sistema dopo un lungo periodo di fermo, assicurarsi che non vi sia aria nello scambiatore di calore.

Prima di utilizzare l'unità per il condizionamento dell'aria, controllare come segue:

- il perfetto drenaggio della condensa;
- le alette dello scambiatore non devono essere ostruite da depositi di sporcizia. Se necessario, pulire le alette utilizzando dell'aria compressa a bassa pressione o del vapore, facendo attenzione a non danneggiarle.

Pulizia



La pulizia del filtro deve essere effettuata esclusivamente da un centro assistenza autorizzato dal costruttore o da personale qualificato.

Pulire il filtro almeno una volta al mese e in ogni caso prima di utilizzare l'unità (prima della stagione di riscaldamento o di condizionamento dell'aria).

Per la pulizia del filtro dell'aria, procedere nel seguente modo (figura 7)

- **Modello FWV e FWZ**
Svitare le viti che fissano il filtro al telaio del coperchio 90° e rimuoverlo,
- **Modello FWL e FWR**
Rimuovere i filtri dell'aria che sono dentro le griglie d'ingresso che si trovano nel pannello frontale del telaio del coperchio,
- **Modello incassato FWM e FWS**
Raggiungere l'unità tramite il pannello d'ispezione e rimuovere il filtro girando le staffe di bloccaggio 90°,

- quindi pulire il filtro con acqua tiepida, o in caso di polvere secca, pulirlo con aria compressa e,
- rimontarlo dopo averlo asciugato bene.

Si consiglia di sostituire il filtro dell'aria ogni anno e di utilizzare solo pezzi di ricambio originali. Il nome del modello dell'unità è indicato nella targhetta posizionata nel pannello laterale dell'unità base.

Per pulire il telaio dell'unità procedere come segue:

- usare un panno morbido;
- non versare alcun tipo di liquido nell'unità per prevenire il rischio di folgorazione o per non danneggiare i componenti;
- non utilizzare solventi chimici troppo aggressivi; non utilizzare acqua troppo calda per pulire la griglia di uscita dell'aria.

ISTRUZIONI PER LO SMALTIMENTO

Lo smaltimento dell'apparecchio deve essere eseguito in conformità alle normative locali e nazionali vigenti in materia.

DIAGNOSI DELLE ANOMALIE

Se l'unità non funziona correttamente, controllare innanzitutto i punti riportati nella seguente tabella prima di richiedere l'assistenza. Se il problema persiste, contattare il rivenditore di fiducia o il centro assistenza.

Symptom 1: L'unità non funziona per nulla

PROBABILE CAUSA	AZIONE CORRETTIVA
Interruzione dell'alimentazione	Ripristinare l'alimentazione
È scattato l'interruttore di dispersione	Contattare il centro assistenza
L'interruttore è in posizione STOP ("0")	Portare l'unità su ON, selezionare "I"

Symptom 2: Raffreddamento o riscaldamento scarso

PROBABILE CAUSA	AZIONE CORRETTIVA
Filtro dell'aria sporco o intasato	Pulire il filtro dell'aria
Ostacolo vicino all'ingresso o all'uscita dell'aria	Rimuovere l'ostacolo
Aria presente nello scambiatore di calore	Contattare l'installatore
Sono aperte porte o finestre	Chiudere porte e finestre
L'unità funziona a bassa velocità	Selezionare la velocità del ventola media o alta

Symptom 3: L'unità perde

PROBABILE CAUSA	AZIONE CORRETTIVA
L'unità non è ben livellata	Contattare l'installatore
Il gocciolatoio è intasato	Contattare l'installatore

Le unità sono marcate con il seguente simbolo:

Ciò significa che i prodotti elettrici ed elettronici non possono essere mescolati con i rifiuti casalinghi non separati.



NON provate a smantellare il sistema da soli: lo smantellamento del sistema, il trattamento del refrigerante, dell'olio e di altre parti, dev'essere effettuato da un installatore autorizzato e deve rispettare la legislazione applicabile.

Le unità devono essere trattate presso un impianto specializzato di lavorazione per il riutilizzo, il riciclaggio e il recupero.

Assicurandovi che questo prodotto sia smaltito correttamente, aiuterete a prevenire possibili conseguenze negative per l'ambiente e la salute umana.

Per ulteriori informazioni contattate il vostro installatore o l'autorità locale.





Πριν θέσετε σε λειτουργία τη μονάδα διαβάστε προσεκτικά το παρόν εγχειρίδιο. Μην το απορρίπτεται και φυλάξτε το σε ασφαλές μέρος έτσι ώστε να είναι διαθέσιμο για οποιαδήποτε μελλοντική αναφορά.

Η ακατάλληλη εγκατάσταση ή συναρμολόγηση της μονάδας ή των ανταλλακτικών μπορεί να προκαλέσουν ηλεκτροπληξία, βραχυκύκλωμα, διαρροές ή βλάβες στα άλλα συστατικά μέρη της μονάδας. Βεβαιωθείτε ότι χρησιμοποιείτε ανταλλακτικά κατασκευασμένα μόνο από την Daikin, τα οποία έχουν σχεδιαστεί ειδικά για να χρησιμοποιούνται με τη μονάδα και τα οποία θα πρέπει να τοποθετούνται από επαγγελματίες.

Επικοινωνήστε με τον εγκαταστάτη Daikin για συμβουλές και πληροφορίες σε περίπτωση αμφιβολιών σχετικά με τις διαδικασίες εγκατάστασης ή χρήσης.



Το προαιρετικό kit της ηλεκτρικής συσκευής θέρμανσης (ΕΕΗ) δεν μπορεί να εγκατασταθεί σε μονάδες οι οποίες είναι ρυθμισμένες για συστήματα 4 σωλήνων.

ΠΡΙΝ ΑΠΟ ΤΗΝ ΕΓΚΑΤΑΣΤΑΣΗ

Η εγκατάσταση και η συντήρηση θα πρέπει να εκτελούνται από εξειδικευμένους επαγγελματίες τεχνικούς, σύμφωνα με τους ισχύοντες κανονισμούς ασφαλείας.

Κατά την παραλαβή της μονάδας ελέγξτε την κατάσταση της και βεβαιωθείτε ότι δεν έχει υποστεί καμιά ζημιά κατά τη μεταφορά.

Συμβουλευτείτε τα δελτία τεχνικών δεδομένων σε περίπτωση εγκατάστασης ή χρήσης των αξεσουάρ.

Προσδιορίστε το μοντέλο και την έκδοση της μονάδας από τις ενδείξεις που αναγράφονται στο χαρτόνι της συσκευασίας.

ΟΡΙΑ ΧΡΗΣΗΣ ΚΑΙ ΛΕΙΤΟΥΡΓΙΑΣ

Η Daikin δεν μπορεί να θεωρηθεί υπεύθυνη αν

- η μονάδα έχει εγκατασταθεί από μη εξειδικευμένο προσωπικό,
- η μονάδα έχει χρησιμοποιηθεί με εσφαλμένο τρόπο,
- η μονάδα έχει χρησιμοποιηθεί υπό συνθήκες που δεν επιτρέπονται,
- δεν έχουν εκτελεστεί οι επεμβάσεις συντήρησης που καθορίζονται στο παρόν εγχειρίδιο,
- αν δεν έχουν χρησιμοποιηθεί γνήσια ανταλλακτικά.

Για την αποφυγή της επικάλυψης σκόνης στο εσωτερικό της, αφήστε τη μονάδα μέσα στη συσκευασία της μέχρι τη στιγμή της πραγματικής εγκατάστασης.

Παρακάτω αναφέρονται τα όρια λειτουργίας της μονάδας, ενώ όλες οι άλλες χρήσεις θεωρούνται ακατάλληλες:

- θερμικό υγρό: νερό/γλυκόλη
- θερμοκρασία του νερού: 5°C~95°C
- μέγιστη λειτουργική πίεση: 10 bar
- θερμοκρασία του αέρα: 5°C~43°C
- Ονομαστική τάση τροφοδοσίας: 230V - 50 Hz
- Όριο σχετικής υγρασίας του αέρα περιβάλλοντος: RH<85% χωρίς συμπύκνωση

Επιλογή της θέσης εγκατάστασης:

Συσκευές σχεδιασμένες για τον κλιματισμό του αέρα περιβάλλοντος, που προορίζονται για χρήση σε εφαρμογές άνεσης σε κτίρια

- μην εγκαθιστάτε τη μονάδα σε χώρους όπου υπάρχουν εύφλεκτα αέρια,
- μην κατευθύνετε τη ρίψη νερού απευθείας στη μονάδα,
- εγκαταστήστε τη μονάδα σε οροφές και τοίχους που είναι σε θέση να αντέξουν το βάρος. Στην περιοχή γύρω από τη μονάδα, αφήστε αρκετό χώρο για τις διάφορες εργασίες και την εκτέλεση των

απαραίτητων επεμβάσεων συντήρησης, λαμβάνοντας υπόψη όλα τα εγκατεστημένα προαιρετικά αξεσουάρ,

- μην τοποθετείτε τη μονάδα θέρμανσης ακριβώς κάτω από ρευματολήπτη/ρευματοδότη.

ΔΙΑΣΤΑΣΕΙΣ (Βλ. το σχεδιάγραμμα 1)

- 1 Χώρος ελεύθερος για τις υδραυλικές συνδέσεις⁽¹⁾
- 2 Υποδοχές 9 x 20 mm για την εγκατάσταση σε οροφή/τοίχο
- 3 Χώρος ελεύθερος για τις ηλεκτρικές συνδέσεις⁽¹⁾
- 4 Υδραυλικές συνδέσεις (4 DF = σύστημα 4 σωλήνων)
- 5 Αποστράγγιση του συμπυκνώματος για την κάθετη εγκατάσταση
- 6 Έξοδος αέρα για τα εντοιχισμένα μοντέλα
- 7 Αναρρόφηση αέρα για τα εντοιχισμένα μοντέλα
- 8 Αποστράγγιση του συμπυκνώματος για την οριζόντια εγκατάσταση
- 9 Έξοδος αέρα
- 10 Είσοδος αέρα:

⁽¹⁾ Αυτές οι κατευθυντήριες γραμμές εφαρμόζονται σε συσκευές που διαθέτουν υδραυλικές συνδέσεις στην αριστερή πλευρά, αν τοποθετηθούν στη δεξιά πλευρά οι κατευθυντήριες οδηγίες για "ελεύθερο χώρο" θα πρέπει να θεωρηθούν αντιστρόφως.

ΕΓΚΑΤΑΣΤΑΣΗ



Πριν εγκαταστήσετε τη fan coil unit βεβαιωθείτε ότι:

- Ο τόπος εγκατάστασης είναι αρκετά ευρύχωρος για τη συσκευή και ότι υπάρχουν οι απαραίτητοι χώροι για τις εργασίες εγκατάστασης και συντήρησης (σχεδ. χώρων σύμφωνα με το σημείο 2)
- Δεν υπάρχουν εμπόδια στη ροή του αέρα αναρρόφησης και παροχής.
- Οι υδραυλικές συνδέσεις έχουν θέση και διαστάσεις όπως απαιτούνται από τη συσκευή (Σχεδ. 1).
- Η ηλεκτρική γραμμή τροφοδοσίας έχει τα χαρακτηριστικά που απαιτούνται από τα στοιχεία του πίνακα του fan coil unit



- Κατά την κανονική λειτουργία, με τον ανεμιστήρα στην ελάχιστη ταχύτητα και με αέρα περιβάλλοντος με υψηλή σχετική υγρασία ειδικότερα, ενδέχεται να σχηματιστεί συμπύκνωμα στην παροχή αέρα και σε ορισμένα τμήματα της εξωτερικής δομής της συσκευής. Για την αποφυγή τέτοιων φαινομένων, πάντα εντός των ορίων λειτουργίας που προβλέπονται για τη συσκευή, θα πρέπει να περιοριστεί η (μέση) θερμοκρασία του νερού στο εσωτερικό του εναλλάκτη. Ειδικότερα, η διαφορά μεταξύ της θερμοκρασίας ψύξης του αέρα (TA,DP) και της μέσης θερμοκρασίας του νερού (TWM) ΔΕΝ ΠΡΕΠΕΙ να είναι μεγαλύτερη από 14°C, σύμφωνα με τον τύπο: TW>TA,DP-14 °C
- Παράδειγμα: εάν η θερμοκρασία περιβάλλοντος είναι 25°C και η σχετική υγρασία 75%, τότε η τιμή της θερμοκρασίας ψύξης ισούται με 20°C περίπου και επομένως η μέση θερμοκρασία του νερού στην μπαταρία θα πρέπει να είναι μεγαλύτερη από 20-14 = 6°C προκειμένου να αποφευχθούν φαινόμενα συμπύκνωσης. Σε περίπτωση παρατεταμένης παύσης του τερματικού, με τον ανεμιστήρα κλειστό και με κυκλοφορία κρύου νερού στον εναλλάκτη, είναι πιθανό να σχηματιστεί συμπύκνωμα ακόμα και στο εξωτερικό μέρος της συσκευής. Σε αυτή την περίπτωση συστήνεται η εγκατάσταση τρίοδης βαλβίδας (ή δίοδης) έτσι ώστε να διακοπεί η ροή νερού προς την μπαταρία όταν ο ανεμιστήρας είναι ακινητοποιημένος

Αφαιρέστε το εξωτερικό πλαίσιο, αν υπάρχει, ξεβιδώνοντας τις 4 βίδες στερέωσης που είναι προσβάσιμες μέσω των πλαϊνών υπερυψωμένων πορτών (βλ. σχεδιάγραμμα 2). Αν πρόκειται για τις εκδόσεις FWL και FWR, ξεβιδώστε ακόμη και τις 2 βίδες στο μπροστινό πίνακα.

Εγκαταστήστε τη βάση της μονάδας στην οροφή/τοίχο, χρησιμοποιώντας τις 4 υποδοχές εγκατάστασης και τις βίδες σύνδεσης που παρέχονται, κρατώντας τη μονάδα τουλάχιστον 100 mm από το πάτωμα επιτρέποντας έτσι την κατάλληλη αναρρόφηση του αέρα και

την εύκολη αφαίρεση του φίλτρου στην περίπτωση των μοντέλων FWV, FWZ, FWM και FWS. Για τα μοντέλα οροφής FWM, FWS, FWL και FWR βεβαιωθείτε ότι το ύψος της εγκατάστασης ανταποκρίνεται στα όσα αναφέρονται στο σχεδιάγραμμα 3 για να αποφευχθεί η υπερβολική διαστρωμάτωση του θερμού αέρα στο πάνω μέρος του δωματίου. Σε περίπτωση μεγαλύτερου ύψους εγκατάστασης, σας συνιστούμε να προχωρήσετε με το ρούφηγμα από το κάτω μέρος του δωματίου. Το ύψος της εγκατάστασης εξαρτάται από τη μέγιστη ταχύτητα λειτουργίας.

Εκτελέστε τις υδραυλικές συνδέσεις με τον εναλλάκτη θερμότητας και με την παρουσία της λειτουργίας ψύξης ακόμα και με το σύστημα αποστράγγισης του νερού.

Για τις εφαρμογές ψύξης, φροντίστε να μονώσετε όλες τις σωληνώσεις και τις συνδέσεις εγκατεστημένες τοπικά, για να αποφεύγετε το στάξιμο της συμπύκνωσης στο πάτωμα. Οι σωληνώσεις χωρίς μόνωση προκαλούν ζημιές.

Σας συνιστούμε να προνοήσετε για την παροχή εισόδου του αέρα από το κάτω μέρος του εναλλάκτη θερμότητας και εξόδου από το πάνω μέρος. Για μια καλύτερη αποστράγγιση του νερού, στρέψτε το σωλήνα εκροής προς τα κάτω τουλάχιστον 3 cm/m, αποφεύγοντας τη δημιουργία κόμβων ή περιορισμού της διέλευσης του νερού.

Μπορείτε να αλλάξετε την πλευρά των συνδέσεων του κυκλώματος νερού ενεργώντας με τον ακόλουθο τρόπο:

- αφαιρέστε το μπροστινό πλάνο κάλυψης της βάσης της μονάδας (4 βίδες) για τα μοντέλα FWV και FWZ ή το βασικό στραγγιστήρι για τα μοντέλα FWL, FWR, FWM και FWS;
- αφαιρέστε το καπάκι του εναλλάκτη θερμότητας (2 βίδες),
- αφαιρέστε τον εναλλάκτη θερμότητας (4 βίδες) που είναι στερεωμένος στους πλαϊνούς πίνακες της βάσης της μονάδας,
- αφαιρέστε το κάτω διαχωριστικό,
- αποσυνδέστε τα καλώδια του κινητήρα από το τερματικό,
- αφαιρέστε το τερματικό και τοποθετήστε το στην αντίθετη πλευρά,
- αφαιρέστε το καλώδιο του κινητήρα και βάλτε το στην αντίθετη πλευρά, αφαιρέστε τον εύκαμπτο αντιπριβικό δακτύλιο με ελατήριο,
- αφαιρέστε το σωλήνα εκροής και τοποθετήστε τον στην αντίθετη πλευρά, τοποθετήστε το σωλήνα εκροής στη θέση όπου βρίσκεται το πώμα του στραγγιστηριού και ξαναβάλτε το πώμα στη θέση που ήταν αρχικά ο σωλήνας εκροής,
- γυρίστε τον εναλλάκτη θερμότητας 180° και περάστε τον στον πλάγιο πίνακα αφαιρώντας τις κομμένες υποδοχές, στη συνέχεια στερεώστε τον στη μονάδα μέσω των βιδών που παρέχονται,
- τοποθετήστε και πάλι το κάτω διαχωριστικό στη βάση,
- τοποθετήστε και πάλι το καπάκι του εναλλάκτη,
- ξανασυναρμολογήστε τον πίνακα ελέγχου μπροστά από τις συνδέσεις του κυκλώματος νερού για το μοντέλο FWV και FWZ,
- βάλτε τον αντιπριβικό εύκαμπτο δακτύλιο με ελατήριο στην οπή που χρησιμοποιήσατε προηγουμένως για το σωλήνα εκροής, ξανασυναρμολογήστε το σφιγκτήρα πάνω στον πλάγιο πίνακα και τα καλώδια συνδέοντάς τα στο τερματικό,
- ξανασυναρμολογήστε το μπροστινό πλάνο κάλυψης (4 βίδες) για τα μοντέλα FWV και FWZ ή το βασικό στραγγιστήρι για τα μοντέλα FWL, FWR, FWM και FWS,
- κλείστε τις οπές που χρησιμοποιήσατε προηγουμένως χρησιμοποιώντας το υλικό κατά των σταγόνων.

Εκτελέστε την έκπλυση του εναλλάκτη θερμότητας ενεργώντας πάνω στις βαλβίδες εκτόνωσης αέρα (εξαγωνικό κλειδί 10), τοποθετημένες δίπλα στις συνδέσεις του κυκλώματος νερού του εναλλάκτη.

Για τα εντοιχισμένα μοντέλα FWM και FWS, εκτελέστε τις συνδέσεις μεταξύ της μονάδας και των αγωγών και βάλτε το μονωτικό υλικό μεταξύ του αγωγού και της μονάδας.

Οι αγωγοί, συγκεκριμένα εκείνοι της εξόδου, πρέπει να είναι μονωμένοι.

Για να αποφεύγετε το ρούφηγμα στη μονάδα, κρατήστε μια ελάχιστη απόσταση μεταξύ της εξόδου του αέρα και της ροής του αέρα ανάκτησης, όπως φαίνεται στο σχεδιάγραμμα 4.

Το ελάχιστο ύψος της εγκατάστασης δεν πρέπει να είναι κατώτερο των 1,8 m από το επίπεδο του πατώματος.

Για τα μοντέλα FWM FWS, σας συνιστούμε να προνοήσετε για μια πόρτα επιθεώρησης στη μονάδα.



Τα εντοιχισμένα μοντέλα FWM και FWS δεν πρέπει να είναι προσβάσιμα στο κοινό.

Για τα μοντέλα FWL και FWR, εγκαταστήστε την κάτω πλάκα σύμφωνα με το σχεδιάγραμμα 6.



Για τις fan coil unit που είναι εξοπλισμένες με βοηθητική ηλεκτρική αντίσταση, βεβαιωθείτε ότι τα εύφλεκτα υλικά βρίσκονται στην ελάχιστη απόσταση των 30 cm από το θερμαντικό ηλεκτρικό στοιχείο.



είναι αναγκαίο να στερεώνετε με βίδες τις πλάγιες πόρτες που ανοίγουν κατά την απουσία ελέγχων στη fan coil unit.

ΣΥΝΔΕΣΕΙΣ ΠΟΥ ΠΡΕΠΕΙ ΝΑ ΓΙΝΟΥΝ ΤΟΠΙΚΑ



Τόσο οι ηλεκτρικές συνδέσεις όσο και η εγκατάσταση των συστατικών μερών πρέπει να εκτελούνται αποκλειστικά από έναν εξειδικευμένο ηλεκτρολόγο και σύμφωνα με τις σχετικές προδιαγραφές των τοπικών κανονισμών που ισχύουν.

Εκτελέστε τις ηλεκτρικές συνδέσεις μετά την αποσύνδεση του ρεύματος. Ανατρέξτε στο σχεδιάγραμμα 5. Για τις διάφορες επιλογές, συμβουλευτείτε το σχετικό εγχειρίδιο.

Βεβαιωθείτε ότι η παροχή ρεύματος ταιριάζει με την ονομαστική παροχή ρεύματος που αναφέρεται στον πίνακα πληροφοριών της μονάδας.

Για κάθε fan coil unit στη γραμμή τροφοδοσίας θα πρέπει να υπάρχει ένας πολυπολικός διακόπτης ρεύματος κατηγορίας υπέρτασης III”.

Η ηλεκτρική κατανάλωση υποδεικνύεται στα δεδομένα που αναφέρονται στον πίνακα πάνω στη μονάδα.

Βεβαιωθείτε ότι έχετε εκτελέσει τις ηλεκτρικές συνδέσεις σύμφωνα με το συνδυασμό μονάδας/ελεγκτή και σύμφωνα με το ηλεκτρικό σχήμα που παρέχεται με κάθε αξεσουάρ.

Πίνακας ηλεκτρικών συστατικών μερών

BK	Μαύρο = μέγιστη ταχύτητα
BU	Μπλε = μέση ταχύτητα
GNYE	Κίτρινο/Πράσινο = γείωση
RD	Κόκκινο = ελάχιστη ταχύτητα
WH	Λευκό = κοινό
---	Συνδέσεις που πρέπει να γίνουν τοπικά
F	Ασφάλεια (δεν παρέχεται)
IL.....	Βασικός διακόπτης (δεν παρέχεται)
M	Κινητήρας
CN	Σύνδεση
COM-102	Συνδέσεις με τον ελεγκτή

ΔΟΚΙΜΗ ΛΕΙΤΟΥΡΓΙΑΣ

Βεβαιωθείτε για την τέλεια ισοπέδωση της μονάδας και ελέγξτε ότι ο σωλήνας εκροής δεν έχει φράξει (επικαθίσεις μικρών αποτριμμάτων, κλπ.)

Ελέγξτε τη μόνωση των συνδέσεων του κυκλώματος νερού (προς τον εναλλάκτη θερμότητας και την αποστράγγιση του νερού).

Βεβαιωθείτε ότι οι ηλεκτρικές συνδέσεις είναι καλά σφιγμένες (εκτελέστε αυτόν τον έλεγχο με αποσυνδεδεμένη την τάση (OFF).

Βεβαιωθείτε ότι η έκπλυση του εναλλάκτη θερμότητας έχει εκτελεστεί σωστά.

Αντικαταστήστε το εξωτερικό πλαίσιο (αν υπάρχει).

Ενεργοποιείστε το βασικό διακόπτη και ελέγξτε τη λειτουργία της μονάδας.

ΧΡΗΣΗ

Για πληροφορίες σχετικά με τη χρήση της μονάδας, συμβουλευτείτε τις οδηγίες που υπάρχουν στο εγχειρίδιο εγκατάστασης και λειτουργίας της μονάδας ελέγχου. Οι μονάδες ελέγχου είναι διαθέσιμες ως αξεσουάρ.

Μπορείτε να γυρίσετε τις γρίλιες εξόδου του αέρα 180° για να κατευθύνετε τη ροή προς το δωμάτιο ή προς τον τοίχο στον οποίο η μονάδα είναι εγκατεστημένη.

Οι γρίλιες και τα πλάγια μέρη είναι ενσωματωμένα στο εξωτερικό πλαίσιο. Πριν τα αφαιρέσετε για να αλλάξετε τη θέση τους, αποσυνδέστε την ηλεκτρική παροχή και φορέστε ένα ζευγάρι προστατευτικά γάντια.

ΣΥΝΤΗΡΗΣΗ ΚΑΙ ΚΑΘΑΡΙΣΜΟΣ

Για λόγους ασφαλείας, πριν εκτελέσετε οποιαδήποτε εργασία συντήρησης ή καθαρισμού, απενεργοποιήστε τη μονάδα μεταφέροντάς τον επιλογέα στο "Stop" και το βασικό διακόπτη στη θέση 0 (OFF).

Συντήρηση



Οι εργασίες συντήρησης πρέπει να πραγματοποιούνται αποκλειστικά από ένα εξουσιοδοτημένο κέντρο τεχνικής υποστήριξης του κατασκευαστή ή από καταρτισμένο προσωπικό.

Κατά τη διάρκεια κάθε επέμβασης συντήρησης δώστε ιδιαίτερη προσοχή, καθώς ορισμένα μεταλλικά μέρη μπορεί να προκαλέσουν τραυματισμό: Ως εκ τούτου, χρησιμοποιήστε ένα ζευγάρι προστατευτικά γάντια.

Η μονάδα δεν απαιτεί κάποια ιδιαίτερη συντήρηση: είναι απαραίτητο να εκτελείτε μόνο περιοδικά τον καθαρισμό του φίλτρου αέρα.

Είναι απαραίτητο να θέτετε σε λειτουργία τη μονάδα για 100 ώρες για την εξάλειψη κάθε είδους μηχανικής τριβής.

Η μονάδα θα πρέπει να επανακινηθεί στη μέγιστη ταχύτητα.

Για την καλή λειτουργία των εξοπλισμών, ακολουθείστε τις παρακάτω οδηγίες:

- διατηρείτε καθαρό το φίλτρο αέρα,
- μη ρίχνετε υγρά στη μονάδα,
- μην εισάγετε μεταλλικά στοιχεία μέσω της γρίλιας εξόδου του αέρα,
- διατηρείτε πάντα ελεύθερες την είσοδο και έξοδο του αέρα. Κάθε φορά που ενεργοποιείτε εκ νέου το σύστημα μετά από μεγάλες περιόδους στάσης, βεβαιωθείτε ότι δεν υπάρχει αέρας στον εναλλάκτη θερμότητας.

Πριν χρησιμοποιήσετε τη μονάδα κλιματισμού, ελέγξτε τα όσα ακολουθούν:

- την τέλεια αποστράγγιση του συμπυκνώματος:
- τα πτερύγια του εναλλάκτη δεν πρέπει να είναι φραγμένα από επικαθίσεις βρωμιάς. Αν είναι αναγκαίο, καθαρίστε τα πτερύγια χρησιμοποιώντας πεπιεσμένο αέρα χαμηλής πίεσης ή ατμό, προσέχοντας να μην τα καταστρέψετε.

Καθαρισμός



Ο καθαρισμός του φίλτρου πρέπει να πραγματοποιείται αποκλειστικά από ένα εξουσιοδοτημένο κέντρο τεχνικής υποστήριξης του κατασκευαστή ή από καταρτισμένο προσωπικό.

Καθαρίζετε το φίλτρο τουλάχιστον μία φορά το μήνα και εν πάση περιπτώσει πριν χρησιμοποιήσετε τη μονάδα (πριν από τη χειμερινή ή θερινή περίοδο).

Για τον καθαρισμό του φίλτρου αέρα, προχωρήστε ως εξής (σχεδιάγραμμα 7)

- **Μοντέλο FWV και FWZ**
Ξεβιδώστε τις βίδες που στερεώνουν το φίλτρο του πλαισίου του καπακιού 90° και αφαιρέστε το,
- **Μοντέλο FWL και FWR**
Αφαιρέστε τα φίλτρα αέρα που είναι μέσα στις γρίλιες εισόδου οι οποίες βρίσκονται στο μπροστινό πίνακα του πλαισίου του καπακιού,

Εντοιχισμένο μοντέλο FWM και FWS

Πλησιάστε τη μονάδα μέσω του πίνακα επιθεώρησης και αφαιρέστε το φίλτρο γυρνώντας τα μεταλλικά στοιχεία μπλοκαρίσματος 90°,

- στη συνέχεια καθαρίστε το φίλτρο με χλιαρό νερό, ή σε περίπτωση ξηρής σκόνης, καθαρίστε το με πεπιεσμένο αέρα και
- τοποθετήστε το ξανά αφού το έχετε στεγνώσει καλά.

Σας συνιστούμε την αντικατάσταση του φίλτρου του αέρα κάθε χρόνο και τη χρήση μόνο γνήσιων ανταλλακτικών. Το όνομα του μοντέλου της μονάδας υποδεικνύεται στην πινακίδα του πλάγιου πίνακα της βάσης της μονάδας.

Για τον καθαρισμό του πλαισίου της μονάδας προχωρήστε ως εξής:

- χρησιμοποιήστε ένα μαλακό πανί,
- μη ρίχνετε οποιοδήποτε υγρό στη μονάδα προκειμένου να αποτραπεί ο κίνδυνος ηλεκτροπληξίας ή ζημιάς των συστατικών μερών,
- μη χρησιμοποιείτε ισχυρά χημικά διαλυτικά, μη χρησιμοποιείτε πολύ ζεστό νερό για τον καθαρισμό της γρίλιας εξόδου του αέρα.

ΟΔΗΓΙΕΣ ΑΠΟΡΡΙΨΗΣ

Η απόρριψη της συσκευής πρέπει να εκτελείται σύμφωνα με τους ισχύοντες τοπικούς και εθνικούς κανονισμούς.

ΔΙΑΓΝΩΣΗ ΤΩΝ ΑΝΩΜΑΛΙΩΝ

Αν η μονάδα δεν λειτουργεί σωστά, ελέγξτε πρώτα τα σημεία που αναφέρονται στον παρακάτω πίνακα πριν ζητήσετε τεχνική βοήθεια. Αν το πρόβλημα παραμένει, επικοινωνήστε με τον αντιπρόσωπο εμπιστοσύνης ή το κέντρο τεχνικής υποστήριξης.

Symptom 1: Η μονάδα δεν λειτουργεί καθόλου

ΠΙΘΑΝΗ ΑΙΤΙΑ	ΔΙΟΡΘΩΤΙΚΗ ΕΝΕΡΓΕΙΑ
Διακοπή της τροφοδοσίας	Επαναφορά της τροφοδοσίας
Ενεργοποιήθηκε ο διακόπτης διαρροής	Επικοινωνήστε με το κέντρο τεχνικής υποστήριξης
Ο διακόπτης είναι σε θέση STOP ("0")	Μεταφέρετε τη μονάδα σε ON, επιλέξτε "I"

Symptom 2: Ανεπαρκής ψύξη ή θέρμανση

ΠΙΘΑΝΗ ΑΙΤΙΑ	ΔΙΟΡΘΩΤΙΚΗ ΕΝΕΡΓΕΙΑ
Φίλτρο αέρα βρώμικο ή φραγμένο	Καθαρίστε το φίλτρο αέρα
Εμπόδιο κοντά στην είσοδο ή στην έξοδο του αέρα	Αφαιρέστε το εμπόδιο
Υπάρχει αέρας στον εναλλάκτη θερμότητας	Επικοινωνήστε με τον εγκαταστάτη
Είναι ανοιχτές πόρτες ή παράθυρα	Κλείστε πόρτες και παράθυρα
Η μονάδα λειτουργεί σε χαμηλή ταχύτητα	Επιλέξτε μέση ή υψηλή ταχύτητα του ανεμιστήρα

Symptom 3: Η μονάδα χάνει

ΠΙΘΑΝΗ ΑΙΤΙΑ	ΔΙΟΡΘΩΤΙΚΗ ΕΝΕΡΓΕΙΑ
Η μονάδα δεν είναι σωστά ισοπεδωμένη	Επικοινωνήστε με τον εγκαταστάτη
Το στραγγιστήρι έχει φράξει	Επικοινωνήστε με τον εγκαταστάτη

Οι μονάδες σημειώνονται με το ακόλουθο σύμβολο:



Αυτό σημαίνει ότι τα ηλεκτρικά και ηλεκτρονικά προϊόντα δεν πρέπει να αναμειγνύονται με τα υπόλοιπα οικιακά απορρίμματα.

Μην επιχειρήσετε να αποσυναρμολογήσετε το σύστημα μόνη σας: η διάλυση του συστήματος, η μεταχείριση του ψυκτικού υγρού, του λαδιού και των άλλων συστατικών μερών πρέπει να γίνεται από έναν εξουσιοδοτημένο τεχνικό εγκατάστασης και σύμφωνα με την ισχύουσα νομοθεσία.

Η μεταχείριση των μονάδων πρέπει να γίνεται σε ειδικές εγκαταστάσεις επεξεργασίας για την επαναχρησιμοποίηση, ανακύκλωση και ανάκτηση.

Βεβαιωθείτε ότι το προϊόν αυτό διατίθεται σωστά, θα βοηθήσει στην πρόληψη πιθανών αρνητικών επιπτώσεων για το περιβάλλον και την ανθρώπινη υγεία.

Για περισσότερες πληροφορίες επικοινωνήστε με τον τεχνικό εγκατάστασης ή με την τοπική αρχή.





Leia este manual atentamente antes de ligar a unidade. Não o deite fora. Arquive-o, para o poder consultar posteriormente.

A instalação ou fixação inadequadas do equipamento ou dos acessórios pode provocar choques eléctricos, curto-circuitos, fugas, incêndio ou outros danos no equipamento. Assegure-se de que utiliza apenas acessórios fabricados pela Daikin, especificamente concebidos para serem utilizados com o equipamento e assegure-se de que são instalados por um profissional.

Se tiver dúvidas sobre os procedimentos de instalação ou utilização, contacte sempre o seu revendedor Daikin para obter esclarecimentos e informações.



O conjunto opcional EEH (aquecedor eléctrico) não pode ser instalado em unidades configuradas para sistemas de 4 tubos.

ANTES DE INSTALAR

A instalação e a manutenção devem ser efectuadas por pessoal técnico qualificado para este tipo de equipamentos, segundo as normas de segurança em vigor.

Quando receber a unidade, verifique o estado em que esta se encontra, pois pode ter-se danificado durante o transporte.

Para instalar e utilizar algum acessório, consulte a ficha técnica respectiva.

Obtenha o modelo e a versão da unidade, através das indicações constantes da embalagem em cartão.

UTILIZAÇÃO E LIMITES DE FUNCIONAMENTO

A Daikin não se responsabiliza:

- se a unidade for instalada por pessoal não-qualificado;
- se a unidade for utilizada de forma incorrecta;
- se a unidade tiver sido utilizada em condições não permitidas;
- se as operações de manutenção, especificadas neste manual, não tiverem sido efectuadas;
- se a substituição de peças não utilizar peças sobressalentes originais.

Mantenha a unidade embalada até ao momento de instalação, para evitar a acumulação de pó no interior.

Apresentam-se de seguida os limites de funcionamento. A utilização fora destas gamas é inadequada.

- fluido térmico: água/glicol
- temperatura da água: 5°C~95°C
- pressão máxima de funcionamento: 10 bar
- temperatura do ar: 5°C~43°C
- Tensão nominal de alimentação: 230V - 50 Hz
- Limite de humidade relativa do ar ambiente: RH<85% não condensante

Seleção do local:

Aparelhos projetados para a climatização do ar ambiente e destinados à utilização em aplicações de conforto civil

- não instale a unidade em salas que contenham gases inflamáveis;
- não permita que a unidade receba salpicos;
- instale a unidade em tectos ou paredes que lhe suportem o peso; deixe espaço livre suficiente em redor da unidade, para permitir funcionamento e manutenção adequados (tenha em conta todos os acessórios opcionais que instalou);
- nunca coloque a unidade de aquecimento junto de tomadas eléctricas.

DIMENSÕES (Ver figura 1)

- 1 Espaço desimpedido, para ligações hidráulicas^(*)
- 2 Ranhuras para montagem no tecto ou na parede, 9 x 20 mm
- 3 Espaço desimpedido, para ligações eléctricas^(*)
- 4 Ligações hidráulicas (4 DF = sistema de 4 tubos)
- 5 Escoamento de condensado, para instalações verticais.
- 6 Saída de ar, para modelos embutidos.
- 7 Sucção de ar, para modelos embutidos.
- 8 Escoamento de condensado, para instalações horizontais.
- 9 Saída do ar
- 10 Entrada do ar

^(*) As indicações referem-se a unidades com ligações hidráulicas do lado esquerdo; caso estas ligações sejam do lado direito, as indicações de "espaço desimpedido" estão invertidas.

INSTALAÇÃO



Antes de instalar o ventiloconvector certificar-se que:

- O local da instalação tenha espaço suficiente para alojar o aparelho e que haja os espaços necessários para as operações de instalação e manutenção (fig espaços em referência ao ponto 2).
- Não haja obstruções na passagem do ar em aspiração e em saída.
- As ligações hidráulicas tenham as posições e as medidas requeridas pelo aparelho (fig. 1).
- A linha eléctrica de alimentação tenha as características indicadas nos dados da plaqueta do ventiloconvector.



No funcionamento normal, em particular com ventilador à mínima velocidade e ar ambiente com alta humidade relativa, é possível que se verifique formação de condensação na descarga do ar e em algumas partes da estrutura externa do aparelho. Para evitar tais fenómenos, sempre dentro dos limites operacionais previstos para o aparelho, é necessário limitar a temperatura (média) da água no interior do permutador. Em particular, a diferença entre a temperatura de orvalho do ar (TA,DP) e a temperatura média da água (TWM) NÃO DEVE ser superior a 14 °C, segundo a relação: $TW > TA, DP - 14 \text{ °C}$

Exemplo: no caso de ar ambiente a 25°C com 75% de humidade relativa, o valor da temperatura de orvalho é de quase 20 °C, logo, a temperatura média da água na bateria deve ser superior a 20-14 = 6 °C a fim de evitar fenómenos de condensação.

Em caso de inatividade prolongada do terminal, com ventilador parado e circulação de água fria no permutador, é possível que se forme condensação também externamente ao aparelho. Neste caso, recomenda-se instalar o acessório válvula de 3 vias (ou de 2 vias) de modo a interromper o fluxo de água na bateria quando o ventilador está parado.

Retire a consola, quando presente, desapertando os 4 parafusos de fixação, que se podem alcançar levantando as portinholas laterais (consulte a figura 2). Nas versões FWL e FWR, desaperte também os 2 parafusos do painel frontal.

Instale a unidade-base na parede ou tecto, utilizando as 4 ranhuras de montagem e os parafusos de ancoragem que são fornecidos. Mantenha a unidade a pelo menos 100 mm do chão, para que haja boa aspiração de ar e seja fácil retirar o filtro, nos modelos FWV, FWZ, FWM e FWS. No caso dos modelos de tecto, FWM, FWS, FWL e FWR, verifique se a altura de instalação corresponde ao que se especifica na figura 3, para evitar que o ar quente se acumule excessivamente na parte superior da divisão. Em caso de instalação a altura superior, sugere-se a utilização de retroaspiração a partir do nível inferior da divisão. As alturas de instalação têm por referência velocidade máxima de funcionamento.

Efectue as ligações hidráulicas ao permutador de calor (e, para refrigeração, ao sistema de drenagem de água).

Em sistemas de refrigeração, certifique-se de que isola todas as tubagens instaladas no local, bem como qualquer equipamento a elas associado, para evitar que o condensado pingue para o chão. As tubagens não isoladas podem originar danos provocados pela água!

Sugerimos que a entrada de água seja feita a partir da base do permutador de calor, ficando a saída na parte superior.

Para obter melhor escoamento de água, incline o tubo de drenagem para baixo, pelo menos 3 cm/m, evitando criar laços ou estrangulamentos no percurso. É possível alterar o funcionamento da zona lateral das ligações de água, da seguinte maneira:

- retire o painel frontal da tampa da unidade básica (4 parafusos), nos modelos FWV e FWZ; ou o tabuleiro principal de colecta de pingos, nos modelos FWL, FWR, FWM e FWS;
- retire a tampa do permutador de calor (2 parafusos);
- retire o permutador de calor (4 parafusos) que está fixo aos painéis laterais da unidade básica;
- retire a placa de separação inferior;
- desligue os cabos do motor da placa de bornes;
- retire a placa de bornes e instale-a do lado oposto;
- extraia o cabo do motor e coloque-o do lado oposto; retire o casquilho de encaixe de borracha;
- retire o tubo de drenagem e pouse-o do lado oposto; coloque o tubo de drenagem no local da tampa do tabuleiro de colecta e depois fixe essa tampa no local onde estava, originalmente, o tubo de drenagem;
- rode 180° o permutador de calor e introduza-o no painel lateral, abrindo as ranhuras pré-cortadas; fixe-o à unidade, utilizando os parafusos que a acompanham;
- volte a montar por baixo a placa de separação inferior;
- volte a montar a tampa do permutador de calor;
- volte a montar o painel de controlo, do lado oposto às ligações de água, no modelo FWV e FWZ;
- introduza o casquilho de encaixe de borracha no orifício onde se encontrava o tubo de drenagem e volte a montar o grampo de cabos no painel lateral; depois, volte a montar os cabos, ligando-os à placa de bornes;
- volte a montar o painel frontal da tampa (4 parafusos), nos modelos FWV e FWZ; ou o tabuleiro principal de colecta de pingos, nos modelos FWL, FWR, FWM e FWS;
- tape os orifícios utilizados anteriormente, com material à prova de pingos.

Purgue o permutador de calor, utilizando as válvulas de ventilação do ar (chave sextavada 10), que se encontram ao lado das ligações de água do permutador.

No caso de modelos FWM e FWS embutidos, efectue a ligação entre a unidade e as condutas; depois, coloque material absorvente entre a conduta e a unidade.

As condutas devem ser isoladas - em especial as de saída.

Para evitar que a unidade faça retroaspiração de ar, mantenha uma distância mínima entre a saída de ar e o fluxo de recuperação de ar, como se mostra na figura 4.

A altura mínima de instalação não pode ser inferior a 1,8 m acima do chão.

No caso do FWM e FWS, tenha em conta o espaço para inspeccionar a unidade.



Os modelos de encaixe FWM e FWS não devem ser acessíveis ao público.

No caso do FWL e FWR, instale a chapa inferior conforme indicado na figura 6.



Para os ventiloconvectores dotados de resistência elétrica auxiliar, verificar que eventuais materiais combustíveis esteja a uma distância mínima de 30 cm do elemento elétrico de aquecimento.



É necessário fixar com parafusos as portinholas laterais alçadas em ausência de controle sobre o ventiloconvector.

LIGAÇÕES ELÉCTRICAS LOCAIS



Toda a cablagem e componentes locais devem ser instalados por um electricista qualificado, devendo satisfazer as regulamentações locais e nacionais pertinentes.

Efectue as ligações eléctricas depois de desligar a alimentação. Consulte a figura 5. Para ver as opções, consulte o manual adequado.

Verifique se a fonte de alimentação corresponde à potência nominal referida na placa de especificações da unidade.

Para cada ventiloconvector na linha de alimentação deve estar presente um interruptor omipolar em categoria de sobretensão III".

O consumo energético consta da placa de especificações, que está fixada na unidade.

Certifique-se de que as ligações eléctricas são executadas cuidadosamente, com base na combinação unidade/controlador, seguindo os esquemas eléctricos correctos, que acompanham os acessórios.

Tabela de peças das ligações eléctricas

BK.....	Preto = velocidade máxima
BU.....	Azul = velocidade média
GNYE	Amarelo/Verde = ligação à terra
RD	Encarnado = velocidade mínima
WH.....	Branco = comum
- - -	Ligações eléctricas locais
F	Fusível (fornecimento local)
IL.....	Interruptor principal (fornecimento local)
M.....	Motor
CN	Conector
COM-102	Ligações ao controlador

TESTE DE FUNCIONAMENTO

Verifique se a unidade está perfeitamente nivelada; e se o tubo de drenagem não está obstruído (depósitos de sedimentos, etc.).

Verifique se as ligações de água (ao permutador de calor e à drenagem de água) estão seladas.

Verifique se a cablagem eléctrica está perfeitamente estanque (esta verificação deve ser efectuada com a corrente desligada).

Certifique-se de que a purga de ar do permutador de calor foi efectuada de forma correcta.

Substitua a consola (quando presente).

Ligue a fonte de alimentação e verifique a unidade em funcionamento.

UTILIZAÇÃO

Para utilizar a unidade, consulte as instruções nos manuais de instalação e de operação do controlador. Estão disponíveis controladores dedicados, como acessórios.

As aletas de saída do ar podem rodar 180°, para dirigir o fluxo para o centro da divisão ou para a parede onde está montada a unidade.

As aletas e as portinholas laterais estão presas à consola. Antes de as remover, para lhes alterar a posição, desligue a alimentação e coloque luvas de protecção.

MANUTENÇÃO E LIMPEZA

Por questões de segurança, deve desligar a unidade antes de efectuar operações de manutenção ou limpeza. Para tal, rode o manípulo selector para "Stop" e coloque o interruptor da fonte de alimentação na posição 0 ("OFF").

Manutenção



Toda a cablagem e componentes locais devem ser instalados por um electricista qualificado, devendo satisfazer as regulamentações locais e nacionais pertinentes.

Seja cuidadoso durante a operação de manutenção; algumas peças metálicas podem causar ferimentos, pelo que deve usar luvas de protecção.

As unidades não necessitam de operações especiais de manutenção: basta limpar periodicamente o filtro do ar.

É necessário colocar a unidade em funcionamento pelo menos uma vez a cada 100 horas, para eliminar pontos mecânicos de fricção.

O arranque deve ser efectuado à velocidade máxima.

Para que as unidades funcionem em boas condições, cumpra as instruções que se seguem:

- mantenha limpo o filtro de ar;
- não deite líquidos na unidade;
- não introduza objectos metálicos através da grelha de saída de ar;
- mantenha sempre livres a entrada e a saída de ar.
Sempre que a máquina for ligada após um longo período de inactividade, certifique-se de que não entrou ar para o permutador de calor.

Antes de utilizar a unidade, para efeitos de ar condicionado, certifique-se de que:

- a drenagem do condensado é efectuada correctamente;
- as aletas do permutador de calor não estão obstruídas por acumulação de poeiras. Se for necessário, limpe as aletas sem as danificar, utilizando ar comprimido ou vapor, a baixa pressão.

Limpeza



Toda a cablagem e componentes locais devem ser instalados por um electricista qualificado, devendo satisfazer as regulamentações locais e nacionais pertinentes.

Limpe o filtro pelo menos uma vez por mês; mas também antes de um período de utilização da unidade (antes da estação fria ou antes da estação quente).

Para limpar o filtro de ar, proceda da seguinte forma (figura 7)

- **modelo FWV e FWZ**
rode 90° os parafusos que prendem o filtro à consola; depois, retire o filtro;
- **modelo FWL e FWR**
retire os filtros de ar que estão no interior das grelhas de entrada, situadas no painel frontal da consola;
- **modelo embutido FWM e FWS**
aceda à unidade através do painel de manutenção e retire o filtro, rodando 90° as presilhas;
- limpe o filtro com água morna; caso haja depósitos de pó seco, limpe o filtro com ar comprimido;
- volte a montar o filtro, depois deste secar.

Recomenda-se a substituição anual do filtro de ar, utilizando peças sobressalentes originais. O nome do modelo da unidade encontra-se na placa de especificações, no painel lateral.

Para limpar a consola da unidade, proceda da seguinte forma:

- utilize uma flanela macia;
- não derrame nenhum líquido na unidade, pois tal pode provocar choques eléctricos ou danificar os componentes interiores;
- não utilize solventes químicos agressivos; não utilize água demasiado quente na limpeza da grelha de saída do ar.

EXIGÊNCIAS RELATIVAS À ELIMINAÇÃO

A desmontagem da unidade deve ser efectuada segundo os regulamentos locais e legislação nacional aplicáveis.

RESOLUÇÃO DE PROBLEMAS

Se a unidade não funcionar correctamente, comece por verificar os pontos constantes da tabela que se segue, antes de contactar a assistência técnica. Se não conseguir resolver o problema, contacte o seu representante ou centro de assistência técnica.

Symptom 1: A unidade está completamente inoperacional

CAUSAS POSSÍVEIS	AÇÕES CORRECTIVAS
Falha na alimentação eléctrica	Forneça energia eléctrica à unidade
O disjuntor de fugas disparou	Contacte o centro de assistência técnica
O interruptor está na posição "0" (desligado)	Ligue a unidade, na posição "I"

Symptom 2: Fraco desempenho de aquecimento ou de refrigeração

CAUSAS POSSÍVEIS	AÇÕES CORRECTIVAS
Filtro de ar sujo ou entupido	Limpe o filtro de ar
Está um obstáculo junto à entrada ou à saída do ar	Retire o obstáculo
Há ar dentro do permutador de calor	Contacte o instalador
Há portas ou janelas abertas	Mantenha as portas e as janelas fechadas
A unidade está a trabalhar a velocidade reduzida	Seleccione a velocidade média ou elevada para a ventoinha

Symptom 3: A unidade tem fugas

CAUSAS POSSÍVEIS	AÇÕES CORRECTIVAS
A unidade não está nivelada	Contacte o instalador
O tabuleiro de colecta está obstruído	Contacte o instalador

As unidades são marcadas com o seguinte símbolo:



Isto significa que os produtos eléctricos e electrónicos não podem ser misturados com os resíduos domésticos não discriminados.

NÃO tentem desmantelar o sistema por conta própria: o desmantelamento do sistema, o tratamento do refrigerante, do óleo e de outras partes deve ser efectuado por um instalador autorizado e deve respeitar a legislação aplicável.

As unidades devem ser tratadas junto a uma instalação de processamento especializada para a reutilização, a reciclagem e a recuperação.

Ao certificar-se que este produto seja eliminado correctamente, estará ajudando a prevenir possíveis consequências negativas para o ambiente e a saúde humana.

Para ulteriores informações contactar o instalador ou a autoridade local.





Ознакомьтесь с настоящей инструкцией перед тем, как приступить к запуску системы. Не выбрасывайте ее. Сохраните ее для использования в будущем в качестве справочника.

Неверная установка системы, неправильное подключение устройств и оборудования могут привести к поражению электротоком, короткому замыканию, протечкам жидкости, возгоранию и другому ущербу. Всегда применяйте только то дополнительное оборудование, которое изготовлено компанией Daikin и предназначено именно для данной системы кондиционирования. Доверять установку оборудования следует только квалифицированным специалистам.

Если у Вас возникнут сомнения по поводу установки или эксплуатации системы, обратитесь за советом и дополнительной информацией к дилеру, представляющему компанию Daikin в Вашем регионе.



В блоки, подключаемые к четырехтрубным системам, нельзя устанавливать дополнительный комплект электрического нагревателя (ЕЕН).

Предварительные операции перед монтажом

Монтаж и сервисное обслуживание должны проводиться квалифицированным специалистом по оборудованию данного типа в соответствии с требованиями правил безопасности.

При получении фанкойла проверьте, не был ли он поврежден при транспортировке.

Проверьте наличие инструкции по монтажу и дополнительного оборудования.

По маркировке на картонной упаковке определите модель и версию блока.

Ограничения при эксплуатации

Компания Daikin не несет никакой ответственности,

- если монтаж блока был выполнен неквалифицированным персоналом;
- если блок использовался ненадлежащим образом;
- если блок эксплуатировался в условиях, не соответствующих нормативным условиям эксплуатации;
- если не были выполнены операции технического обслуживания, указанные в настоящем руководстве;
- если использовались неоригинальные запасные части.

Во избежание повреждения фанкойла его необходимо держать в упаковке до тех пор, пока не будет подготовлено место для монтажа.

Условия эксплуатации:

- теплоноситель: вода/гликоль
- температура воды: 5°C~95°C
- максимальное рабочее давление: 10 бар
- температура воздуха: 5°C~43°C
- Номинальное напряжение питания: 230V - 50 Hz
- Предельное значение относительной влажности воздуха в помещении: RH < 85% без конденсирующей влаги

Выбор места установки:

Оборудование спроектировано для кондиционирования воздуха в помещении и предназначено для создания комфортных условий при использовании в гражданских зданиях

- нельзя устанавливать блок в помещении, где могут присутствовать легковоспламеняющиеся газы;
- нельзя устанавливать блок в местах, где возможно попадание на него воды;

- устанавливайте блок на перекрытия или стены, способные выдержать его вес. Оставьте вокруг блока достаточно свободного места для его эксплуатации и технического обслуживания с учетом размеров всего установленного дополнительного оборудования.

- Не размещайте нагревающий блок непосредственно под электрической розеткой.

Размеры (Смотрите рисунок 1)

- 1 Свободное место для гидравлических подключений^(*)
- 2 Прорези для установки блока на стену/перекрытие 9 x 20 мм
- 3 Свободное место для электрических подключений^(*)
- 4 Гидравлические подключения (4 DF = система с 4 трубами)
- 5 Дренаж конденсата для вертикальной установки
- 6 Выброс воздуха для скрытых блоков
- 7 Забор воздуха для скрытых блоков
- 8 Дренаж конденсата для горизонтальной установки
- 9 Выпуск воздуха
- 10 Забор воздуха

^(*) Обозначения, применяемые для блоков с гидравлическими подключениями с левой стороны; в случае подключения гидравлики с правой стороны обозначения зеркально противоположны.

Монтаж



Прежде чем установить вентиляторный доводчик, убедитесь, что:

- в помещении достаточно места для установки прибора и для проведения операций по монтажу и техническому обслуживанию (на рисунке расстояние относительно точки 2).
- Воздух может беспрепятственно циркулировать как на подаче, так и на всасывании.
- Гидравлические соединения должны иметь размеры и должны быть расположены так, как этого требует прибор (рис. 1).
- Сеть электропитания соответствует характеристикам, указанным на табличке вентиляторного доводчика.



При нормальной работе, в частности с вентилятором, функционирующим на минимальной скорости, и при воздухе в помещении с высокой относительной влажностью, возможно образование конденсата на подаче воздуха и на некоторых частях внешней конструкции установки. Во избежание этих явлений, оставаясь всегда в пределах граничных рабочих параметров, предусмотренных для установки, необходимо ограничить температуру (среднюю) воды внутри теплообменника. В частности, необходимо, чтобы разница между точкой росы воздуха (TA, DP) и средней температурой воды (TWM) НЕ превышала 14 °C, согласно соотношению: TW > TA, DP-14 °C

Пример: в случае если температура воздуха в помещении равна 25 °C, а относительная влажность составляет 75%, значение точки росы будет около 20 °C, и, соответственно, средняя температура воды в батарее должна быть более 20 - 14 = 6 °C во избежание явлений конденсации. В случае длительного простоя терминала с выключенным вентилятором и циркуляцией холодной воды в теплообменнике возможно образование конденсата также снаружи установки. В этом случае рекомендуется установка в качестве дополнительного оборудования 3-ходового (или 2-ходового) клапана, для того чтобы приостановить поток воды в батарее, когда вентилятор выключен

Снимите корпус, открутив 4 винта через открытую боковую крышку (смотрите рисунок 2). Для блоков FWL и FWR также открутите 2 винта на передней панели.

Установите базовый блок на стену/перекрытие с помощью 4 анкерных болтов так, чтобы агрегат находился над полом на высоте не менее 100 мм - это необходимо для равномерного распределения воздуха и обеспечит удобство извлечения фильтра для моделей FWV, FWZ, FWM и FWS. Для потолочных блоков FWM, FWS, FWL и FWR требования к установке приведены в соответствии с распределением горячего воздуха в верхней части помещения (рисунок 3), при установке в помещениях с более высокими потолками необходимо установить решетку забора воздуха в нижней части комнаты. Правильный выбор высоты важен для лучшей циркуляции воздуха.

Выполните гидравлические подключения для теплообменника, и в случае охлаждения выполните подключение к дренажной системе.

В случае охлаждения для предотвращения стекания конденсата на пол убедитесь в том, что установленные трубопроводы и соединения теплоизолированы. Неизолированные соединения могут привести к протечкам воды!

Мы рекомендуем осуществлять подвод воды в нижней части теплообменника, а вывод - сверху.

Для лучшего отвода воды в дренажной линии наклоните дренажную трубу вниз с уклоном не менее чем на 3 см на 1 м длины, избегая при этом перегибов трубы по всей ее длине.

Возможно изменение стороны подсоединения фанкойла по воде следующим образом:

- снимите крышку передней панели базового блока (4 винта) для моделей FWV и FWZ или дренажный поддон для моделей FWL, FWR, FWM и FWS;
- снимите крышку теплообменника (2 винта);
- снимите теплообменник (4 винта), закрепленный на боковых панелях базового блока;
- снимите нижнюю разделительную перегородку;
- отсоедините кабели электродвигателя от клеммной колодки;
- снимите клеммную колодку и установите ее на противоположной стороне;
- выньте провода электродвигателя и разместите их на противоположной стороне; снимите резиновое кольцо;
- выньте дренажную трубу и перенесите ее на противоположную сторону; установите дренажную трубу вместо заглушки в дренажном поддоне, а эту заглушку установите туда, где изначально находилась дренажная труба;
- поверните теплообменник на 180° и вставьте его в боковую панель; прикрепите его к блоку, используя прилагаемые винты;
- установите нижнюю разделительную перегородку на нижнюю часть;
- установите крышку теплообменника;
- установите панель управления на стороне против положной подводу воды для моделей FWV и FWZ;
- вставьте резиновое кольцо в отверстие, первоначально использованное для дренажной трубки, установите крепеж проводов на боковой панели, проложите провода и подключите их к клеммной колодке;
- установите крышку передней панели (4 винта) для моделей FWV и FWZ или дренажный поддон для моделей FWL, FWR, FWM и FWS;
- закройте оставшиеся отверстия с помощью водо непроницаемого материала.

Выполните продувку теплообменника с помощью воздушных клапанов (гаечный ключ 10), расположенных сбоку патрубков подключения по воде.

При монтаже скрытого блока модели семейства FWM и FWS выполните подключение блока к воздуховодам и между блоком и воздуховодом проложите виброизоляционный материал.

Воздуховоды, особенно выходной, необходимо теплоизолировать.

Во избежание подсоса обработанного воздуха в блоке, мини мальное расстояние между выходом воздуха и всасыванием должно соответствовать рисунку 4.

Минимальная высота установки составляет 1,8 м над уровнем пола.

Для фанкойлов FWM и FWS предусмотрите сервисное окно.



Встраиваемые модели должны быть недоступны для посторонних.

При монтаже блока модели семейства FWL и FWR установите нижнюю перегородку в соответствии с рисунком 6.



В случае вентиляторных доводчиков, оснащённых вспомогательным электрическим нагревателем, убедитесь, что горючие вещества находятся на расстоянии от электрического нагревателя, превышающем 30 см.



В случае отсутствия системы контроля вентиляторного доводчика необходимо закрепить при помощи винтов боковые открываемые дверцы

Электропроводка



Монтаж электрических соединений и элементов должен выполняться только аттестованным электриком в строгом соответствии с местными и общегосударственными стандартами и правилами.

Монтаж электропроводки производится при отключенном напряжении. См. рисунок 5. Варианты смотрите в соответствующем руководстве.

Проверьте, чтобы подаваемое напряжение соответствовало номинальному напряжению, указанному на шильдике блока.

Каждому вентиляторному доводчику в линии питания должен соответствовать омниполярный выключатель категории перенапряжения III".

Энергопотребление указано в таблице основных характеристик, прикрепленной к блоку.

Подключение электропроводки необходимо осуществлять с учетом особенностей сочетания блока и пульта управления, а также в соответствии с электрическими схемами, прилагаемыми к дополнительному оборудованию.

Обозначение элементов проводки

BK	Черный провод = максимальная скорость
BU	Синий провод = средняя скорость
GNYE.....	Желто-зеленый провод = заземление
RD	Красный провод = минимальная скорость
WH	Белый провод = общий
----	Электропроводка
F	Предохранитель (приобретается на внутреннем рынке)
IL	Главный выключатель (приобретается на внутреннем рынке)
M	Электродвигатель
CN.....	Разъем
COM-102....	Соединения с пультом управления

Пробный запуск

Проверьте горизонтальность установки блока и отсутствие посторонних предметов в дренажной трубке (щебенки и т.п.).

Проверьте герметичность соединений по воде (теплообменника и дренажа).

Проверьте надежность затяжки контактов электропроводки (проверку следует проводить при отключенном напряжении).

Убедитесь в том, что продувка теплообменника от воздушных пробок была проведена правильно.

Поставьте на место корпус (если он есть).

Включите напряжение и проверьте запуск блока.

Эксплуатация

Инструкции по эксплуатации блока смотрите в руководстве по монтажу и эксплуатации пульта управления. Дополнительно можно приобрести специализированные пульты управления.

Жалюзи выходной решетки могут поворачиваться на 180°, направляя поток непосредственно в комнату или на стену, на которой установлен блок.

Решетки и боковые дверцы защелкиваются в корпусе. Перед тем как снять их для изменения положения, отключите напряжение.

ТЕХНИЧЕСКОЕ ОБСЛУЖИВАНИЕ И ЧИСТКА

Для обеспечения безопасности перед проведением технического обслуживания и чистки отключите блок от сети, повернув переключатель скоростей в положение «Stop» и выключатель электропитания - в положение «0» (Выкл.).

Техническое обслуживание



Операции по техническому обслуживанию должны проводиться только квалифицированным персоналом или персоналом центра сервисного обслуживания, уполномоченного изготовителем.

Будьте осторожны при проведении технического обслуживания - Вы можете получить ранение при соприкосновении с металлическими деталями. Используйте защитные перчатки.

Блоки не требуют особого технического обслуживания, необходимо только периодически чистить воздушный фильтр.

Необходимо периодически через каждые 100 часов запускать блок для проверки его работоспособности.

Запуск должен выполняться на максимальной скорости.

Для хорошей работы блоков необходимо:

- следить за тем, чтобы воздушные фильтры были чистыми;
- не допускать попадания жидкостей в блок;
- не допускать попадания металлических деталей в воздухораспределительную решетку на выпуске;
- держать отверстия для забора и выброса воздуха свободными. После длительного перерыва в работе блока убедитесь в том, что в теплообменнике нет воздуха.

Перед использованием блока для кондиционирования воздуха убедитесь в том, что:

- дренажная линия выполнена правильно;
- отсутствует пыль и грязь между ребер теплообменника. При необходимости продуйте его воздухом под низким давлением или паром без повреждения ребер.

Чистка



Чистка фильтра должна осуществляться только квалифицированным персоналом или персоналом центра сервисного обслуживания, уполномоченного изготовителем.

Чистку фильтров необходимо проводить не реже одного раза в месяц или перед использованием блока (перед сезонами обогрева или охлаждения).

Чистку воздушных фильтров проводите следующим образом (рисунок 7):

- **модель FWV и FWZ**
поверните винты, крепящие фильтр к крышке корпуса, на 90° и извлеките фильтр;
- **модель FWL и FWR**
извлеките воздушные фильтры, находящиеся внутри заборной решетки, расположенной на передней панели крышки корпуса;
- **скрытые блоки модели FWM и FWS**
извлеките фильтр через смотровую панель, повернув фиксирующие скобы на 90°;
- промойте фильтр теплой водой или, если скопилась сухая пыль, почистите фильтр с помощью пылесоса;
- после просушки фильтра установите его на прежнее место.

Рекомендуется своевременно производить замену фильтров и использовать оригинальные запасные части. Модель блока указана на его боковой панели на шильдике.

Чистку корпуса фанкойла проводите следующим образом:

- используйте для этого мягкий материал;
- нельзя лить воду на корпус, так как это может вызвать электрическое замыкание или испортить детали блока;
- не используйте агрессивные химические очистители и очень горячую воду для чистки выпускной решетки.

Утилизация

Демонтаж блока необходимо производить в соответствии с установленными местными правилами и нормами.

Возможные неисправности и способы их устранения

При наличии неисправностей в работе блока, перед обращением в сервисную службу убедитесь в отсутствии неисправностей, указанных в таблице, приведенной ниже. Если неисправность не удалось устранить, обратитесь в сервисную службу.

Признак 1: Блок не включается

Возможные причины	Способ устранения
Неисправность в подаче электропитания	УСТРАНИТЕ НЕИСПРАВНОСТЬ ЭЛЕКТРОПРОВОДКИ
СРАБАТЫВАЕТ АВТОМАТ ЗАЩИТЫ	ОБРАТИТЕСЬ В СЕРВИСНУЮ СЛУЖБУ
Выключатель находится в положении останова («0»)	ВКЛЮЧИТЕ БЛОК - ПЕРЕМЕСТИТЕ ВЫКЛЮЧАТЕЛЬ В ПОЛОЖЕНИЕ «I»

Признак 2: Плохое охлаждение или обогрев

Возможные причины	Способ устранения
Загрязненилизасоренвоздушный фильтр	ОЧИСТИТЕ ФИЛЬТР
Затруднензабориливыбросвоздуха	УСТРАНИТЕ ПРЕПЯТСТВИЕ
Воздух в теплообменнике	ОБРАТИТЕСЬ К ТЕМ, КТО ПРОВОДИЛ МОНТАЖ
ОткрытыокнаидвериВПомещении	ЗАКРОЙТЕОКНАИДВЕРИВПомещении
Блокработаетнанизкойскорости	ВЫБЕРИТЕ НЕОБХОДИМУЮ СКОРОСТЬ

Признак 3: Протечки из блока

Возможные причины	Способ устранения
Блок установлен горизонтально	ОБРАТИТЕСЬ К ТЕМ, КТО ПРОВОДИЛ МОНТАЖ
Засорен сток дренажа	ОБРАТИТЕСЬ К ТЕМ, КТО ПРОВОДИЛ МОНТАЖ

Блоки маркированы следующими символами:



Означает, что электрические и электронные изделия нельзя смешивать с несортированными бытовыми отходами.

НЕ предпринимайте попыток демонтировать систему самостоятельно: демонтажем системы,

утилизацией хладагента, масла и других компонентов должен заниматься квалифицированный установщик в соответствии с требованиями местного законодательства. Утилизацию блоков следует выполнять в специализированном учреждении, оснащённом специальными средствами для повторного использования, переработки и восстановления.

Обеспечив правильную утилизацию оборудования, Вы способствуете предупреждению негативных последствий для окружающей среды и здоровья людей.

За более подробной информацией обращайтесь к Вашему установщику или к местным органам власти.





Denna handbok ska läsas igenom noggrant innan aggregatet sätts i drift. Kasta inte handboken utan förvara den på säker plats så att den alltid finns tillgänglig för framtida behov.

Felaktig installation eller montering av aggregatet eller tillbehören kan ge upphov till elstöt, kortslutning, läckage eller skada på andra av aggregatets delar. Försäkra dig om att alla tillbehör som används är tillverkade av Daikin. Dessa är utarbetade för att användas tillsammans med aggregatet och ska installeras av fackmän.

Vid tvekan över hur monteringen ska utföras eller hur aggregatet ska användas, kontakta en installatör från Daikin för att få råd och information.



Den elektriska värmeenhetens tillvalsats (EEH) kan inte monteras på aggregat som är inställda för system med fyra slangar.

FÖRE INSTALLATION

Installationen och underhållet ska utföras av specialiserade utbildade tekniker i enlighet med gällande lagstiftning om säkerheten.

När aggregatet levereras ska man kontrollera skicket på den och försäkra sig om att den inte har skadats under transporten.

Se gällande tekniska blad vid installation eller användning av tillbehör. Identifiera aggregatets modell och version genom att läsa på emballaget.

ANVÄNDNINGSBEGRENSNINGAR OCH FUNKTION

Daikin kan inte anses ansvarig om

- aggregatet har installerats av ej kvalificerad personal,
- aggregatet har använts på felaktigt sätt,
- aggregatet har använts under ej tillåtna förhållanden,
- de underhållsrepp som anges i denna handbok inte har utförts,
- man inte har använt originalreservdelar.

För att undvika ansamling av damm på insidan ska man inte ta ut aggregatet från emballaget förrän installationen äger rum.

Nedan följer aggregatets användningsbegränsningar. All annan användning betraktas som felaktig:

- Värmevätska: vatten/glykol
- Vattentemperatur: 5°C~95°C
- Maximalt arbetstryck: 10 bar
- Lufttemperatur: 5°C~43°C
- Nominell matningsspänning: 230V - 50 Hz
- Luftfuktighetsgräns för luft: RH <85% icke-kondenserande

Val av installationsplats:

Armaturer utformade för luftkonditionering och avsedda för användning i civila komfortapplikationer

- Installera inte aggregatet i omgivning med brandfarlig gas.
- Rikta inte vattenstrålen rakt mot aggregatet.
- Installera aggregatet på tak eller vägg som kan bära dess vikt.

Lämna tillräckligt utrymme runt maskinen för att kunna använda aggregatet och utföra nödvändigt underhåll på det med tanke på alla installerade tillbehör.

- Ställ inte värmeaggregatet direkt under en elkontakt/eluttag.

MÅTT (Se figur 1)

- 1 Fritt utrymme för de hydrauliska anslutningarna^(*)
- 2 Öppningar 9 x 20 mm för tak- eller väggmontering
- 3 Fritt utrymme för de elektriska anslutningarna^(*)
- 4 Hydraulanslutningar (4 DF = system med 4 slangar)
- 5 Kondensstömning för vertikal installation
- 6 Luftutlopp för modeller med inbyggt utförande
- 7 Luftintag för modeller med inbyggt utförande
- 8 Kondensstömning för horisontell installation
- 9 Luftutlopp
- 10 Luftintag

^(*) Dessa anvisningar kan tillämpas på aggregat som har hydraulanslutningarna på vänster sida. Om de finns på höger sida ska anvisningarna för "fritt utrymme" betraktas som omvända.

INSTALLATION



Innan ventilationskonvektorn installeras ska ni försäkra er om att:

- Det finns tillräckligt med utrymme för aggregatet på installationsplatsen och även tillräckligt med utrymme för installations- och underhållsarbete (figur över utrymme, se punkt 2)
- Det inte finns några hinder för cirkulation av till- och frånluft.
- De hydrauliska kopplingarnas position och storlek uppfyller kraven för aggregatet (fig.1).
- Kraftförsörjningsledningen uppfyller de krav som anges på ventilationskonvektorns märkskylt.



Vid normal drift, speciellt med fläkten vid lägsta hastighet och omgivande luft med hög relativ luftfuktighet, kan kondens bildas på lufttillförseln och på vissa delar av apparatens yttre struktur. För att undvika sådana fenomen, som alltid ligger inom ramen för det arbete som planeras för apparaten, är det nödvändigt att begränsa temperaturen (medelvärde) för vattnet inuti växlaren. Speciellt måste skillnaden mellan luftduggtemperaturen (TA, DP) och den genomsnittliga vattentemperaturen (TWM) INTE vara högre än 14 ° C enligt förhållandet: $TW > TA, DP - 14 ° C$
Exempel: vid omgivande luft vid 25 ° C med 75% relativ luftfuktighet är värdet på duggtemperatur ca 20 ° C och därför måste medeltemperaturen för vattnet i batteriet vara över $20 - 14 = 6 ° C$ för att undvika kondens.

Vid långvarig avstängning av terminalen, med fläktens stationära och cirkulation av kallt vatten i växlaren kan kondens också bildas på utsidan av apparaten. I det här fallet är det lämpligt att installera 3-vägs (eller 2-vägs) ventil tillbehör för att stoppa flödet av vatten i batteriet när fläkten är stoppad.

Ta bort den externa ramen, i förekommande fall, genom att skruva loss de 4 fästskruvarna som man kommer åt genom de upphöjda sidoluckorna (se figur 2). I fall om versionen FWL och FWR, ska även de 2 skruvarna på frontpanelen skruvas loss.

Montera basenheten på taket/väggen med hjälp av de 4 monteringshålen och fästskruvarna som medföljer aggregatet. Aggregatet ska vara på minst 100 mm höjd från golvet för ett lämpligt luftintag och för att underlätta filtrets borttagande i fall om modellerna FWV, FWZ, FWM och FWS. För de takmonterade modellerna FWM, FWS, FWL och FWR ska man kontrollera att installationshöjden överensstämmer med informationen i figur 3 för att undvika att det bildas ett tjockt lager varmluft längst upp i rummet. Vid större installationshöjder rekommenderar vi att suga upp luften från rummets

nedre utrymme. Installationshöjden beror på den maximala driftshastigheten.

Utför de hydrauliska anslutningarna med värmeväxlaren samt, om kylfunktion förutses på aggregatet, med vattnets tömningssystem.

För kylapplikationer ska man försäkra sig om att alla slangar och kopplingar som installeras på plats är isolerade för att undvika att det droppar kondens på golvet. Ej isolerade slangar kan orsaka skada.

Vi rekommenderar att iordningställa vattenintaget från värmeväxlarens botten och utloppet från överdelen.

För en bättre tömning av vattnet ska tömningsslangen ha nedgående lutning med minst 3 cm/m, undvik knutar och strypningar på slangen. Det är möjligt att byta sida som vattenkretsens anslutningar sitter på. Gör så här:

- Ta bort basenhetens frontpanel (4 skruvar) på modellerna FWV eller huvuddroppskålen på modellerna FWL och FWM.
- Ta bort värmeväxlarens lock (2 skruvar).
- Ta bort värmeväxlaren (4 skruvar) som är fäst vid basenhetens sidopaneler.
- Ta bort den undre skiljeväggen.
- Ta bort motorns kablar från anslutningsplinten.
- Ta bort anslutningsplinten och montera den på motsatta sidan.
- Ta ut motorkabeln och sätt in den på motsatta sidan. Ta bort låsbussningen i gummi.
- Ta bort tömningsslangen och sätt den på motsatta sidan, placera tömningsslangen på den plats som droppskålens stängningsplugg sitter på och sätt in pluggen på tömningsslangens ursprungliga plats.
- Vrid värmeväxlaren ett halvt varv och sätt in den i sidopanelen genom att ta bort de förskurna öppningarna. Fäst den sedan vid aggregatet med de medföljande skruvarna.
- Montera tillbaka den undre skiljeväggen på botten.
- Montera tillbaka värmeväxlarens lock.
- Montera tillbaka kontrollpanelen framför vattenkretsens anslutningar för modellen FWV och FWZ.
- Sätt in låsbussningen i gummi i hålet som förut användes för tömningsslangen, montera tillbaka kabelklämman på sidopanelen och sätt tillbaka kablarna på anslutningsplinten.
- Montera ihop frontpanelen (4 skruvar) på modellerna FWV och FWZ eller huvuddroppskålen på modellerna FWL, FWR, FWM och FWS.
- Stäng hålen som användes tidigare med droppsäkert material.

Avlufta värmeväxlaren med hjälp av avluftningsventilerna (insexnyckel 10 mm), som sitter intill vattenkretsens anslutningar på värmeväxlaren.

För inbyggda modeller FWM och FWS utförs anslutningarna mellan aggregatet och rörledningarna. Placera isoleringsmaterial mellan rörledningarna och aggregatet.

Rörledningarna ska vara isolerade, i synnerhet utloppsroren. För att undvika insug på aggregatet ska man respektera minimiavståndet mellan luftutloppet och luftflödets återintag, som i figur 4.

Installationens minimihöjd får inte vara lägre än 1,8 m från golvet.

För modellerna FWM och FWS, rekommenderar vi att iordningställa en servicelucka för aggregatet.



Kopplingsmodellerna FWM och FWS får inte vara åtkomliga för allmänheten.

För modellerna FWL och FWR ska bottenplattan installeras som i figur 6.



För de ventilationskonvektorer som är utrustade med extra värmeelement, ska ni säkerställa att alla brännbara material är minst 30 cm från värmeelementet.



Om det inte finns styrdon på ventilationskonvektorn måste de sidoluckor som går att öppna fästas med skruvar.

ANSLUTNINGAR SOM SKA UTFÖRAS PÅ PLATS



Både de elektriska anslutningarna och installationen av komponenterna får enbart utföras av en kvalificerad elektriker som utför arbetet i enlighet med bestämmelserna i gällande nationell lagstiftning.

Utför de elektriska anslutningarna efter att ha frånkopplat strömförsörjningen. Hänvisa till figur 5. För de olika tillbehören hänvisas till deras handböcker.

Kontrollera att strömförsörjningen överensstämmer med det nominella strömvärdet som anges på aggregatets märkskylt.

För varje ventilationskonvektor i matningsledningen ska det finnas en allpolig frånskiljare enligt överspänningskategori III".

Strömförbrukningen anges på aggregatets märkskylt.

Försäkra dig om att de elektriska anslutningarna utförs i enlighet med kombinationen aggregat/styrenhet samt i enlighet med kopplingsschemat som medföljer varje tillbehör.

Tabell över elektriska komponenter

BK.....	Svart = maxhastighet
BU.....	Blå = medelhastighet
GNYE	Gul/grön = jordanslutning
RD	Röd = minimihastighet
WH.....	Vit = gemensam
-----	Anslutningar som ska utföras på plats
F	Säkring (medföljer inte)
IL.....	Huvudbrytare (medföljer inte)
M.....	Motor
CN	Kontaktidon
COM-102.	Anslutningar till styrenheten

FUNKTIONSTEST

Kontrollera att aggregatet står i våg och försäkra dig om att tömningsslangen inte är igensatt (avlagringar av smått avfall osv.)

Kontrollera att vattenkretsens anslutningar är isolerade (mot värmeväxlaren och mot vattentömningen).

Kontrollera att de elektriska anslutningarna är ordentligt åtdragna (denna kontroll ska utföras med frånskjild ström OFF).

Försäkra dig om att avluftningen av värmeväxlaren har utförts på rätt sätt.

Byt ut den externa ramen (i förekommande fall).

Sätt på huvudbrytaren och kontrollera att aggregatet fungerar som det ska.

ANVÄNDNING

För information om hur aggregatet används hänvisas till instruktionerna i styrenhetens installations- och användarhandbok.

De olika styrenheterna finns tillgängliga som tillbehör.

Luftutloppets galler kan vridas ett halvt varv för att rikta luftflödet mot rummet eller mot väggen som aggregatet har monterats på.

Gallrena och sidostyckena är inbyggda i den externa ramen. Innan de tas bort för byte av plats ska man stänga av strömförsörjningen och ta på sig ett par skyddshandskar.

Både de elektriska anslutningarna och installationen av komponenterna får enbart utföras av en kvalificerad elektriker som utför arbetet i enlighet med bestämmelserna i gällande nationell lagstiftning.

UNDERHÅLL OCH RENGÖRING

Av säkerhetsskäl ska man stänga av aggregatet innan något underhålls- eller rengöringsarbete påbörjas genom att sätta väljaren på "Stopp" och huvudströmbrytaren på 0 (OFF).

Underhåll



Underhållsarbetet får endast utföras av ett servicecenter som godkänts av tillverkaren eller av kvalificerad och behörig personal.

Särskild uppmärksamhet krävs vid all form av underhållsarbete eftersom vissa metalldelar kan ge upphov till skada: Använd skyddshandskar.

Inget särskilt underhåll krävs på aggregatet. Det räcker med att luftfiltret rengörs regelbundet.

Det är nödvändigt att låta aggregatet köra i 100 timmar för att få bort eventuell mekanisk friktion.

Aggregatet ska startas om med maximal hastighet.

För att aggregaten ska kunna fungera på optimalt sätt ska följande instruktioner följas:

- Håll luftfiltret rent.
- Håll inte ned vätska i aggregatet.
- Stoppa inte in metallföremål genom luftutloppets galler.
- Lämna alltid luftintaget och luftutloppet fria.

Varje gång som systemet sätts på efter en längre stilleståndstid ska man kontrollera att det inte finns luft i värmeväxlaren.

Innan aggregatet används som luftkonditionering ska man kontrollera följande:

- Att kondensstömningen fungerar som den ska.
- Att värmeväxlarens flänsar inte är igensatta av smuts som lagrats. Vid behov ska man rengöra flänsarna med hjälp av lågtrycksluft eller ånga. Arbeta försiktigt så att de inte skadas.

Rengöring



Rengöringsarbetet får endast utföras av ett servicecenter som godkänts av tillverkaren eller av kvalificerad och behörig personal.

Rengör filtret minst en gång i månaden och i varje fall innan aggregatet börjar användas (i början av säsongen för att värma eller kyla luften).

Gör på följande sätt för att rengöra filtret (figur 7)

■ Modell FWV och FWZ

Skruva ett kvarts varv på skruvarna som fäster filtret vid lockets ram och ta bort filtret.

■ Modell FWL och FWR

Ta bort luftfiltren på insidan av luftintagsgallrena som sitter på frontpanelen på lockets ram.

■ Inbyggd modell FWM och FWS

Få åtkomst till aggregatet genom serviceluckan och ta bort filtret genom att vrida fästbyglarna ett kvarts varv.

- Rengör sedan filtret med ljummet vatten eller, om det finns intorkat damm, med tryckluft.
- Torka noga filtret och montera sedan ihop det.

Vi rekommenderar att byta ut luftfiltret en gång om året och att enbart använda originalreservdelar. Namnet på aggregatets modell anges på skylten som sitter på basenhetens sidopanel.

Gör på följande sätt för att rengöra aggregatets ram:

- Använd en mjuk trasa.
- Håll inte ned någon typ av vätska i aggregatet eftersom det kan leda till elstöt samt skada komponenterna.
- Använd inte aggressiva kemiska lösningsmedel. Använd inte hett vatten för att rengöra luftutloppets galler.

ANVISNINGAR FÖR BORTSKAFFANDE

Enheten ska bortskaffas i enlighet med lokal och nationell lagstiftning.

FELSÖKNING

Om aggregatet inte fungerar som det ska ska man först av allt kontrollera punkterna i tabellen nedan innan man kontaktar servicecentret. Om problemet kvarstår, kontakta återförsäljaren eller våra servicecenter.

Fel 1: Aggregatet fungerar inte alls

SANNOLIK ORSAK	LÖSNING
Strömmen har brutits	Återställ strömförsörjningen
Läckagebrytaren har utlöst	Kontakta ett servicecenter
Strömbrytaren är i läget STOP("0")	Sätt aggregatet på ON, välj "I"

Fel 2: Aggregatet kylar eller värmer dåligt

SANNOLIK ORSAK	LÖSNING
Smutsigt eller igensatt luftfilter	Rengör luftfiltret
Hinder i närheten av luftintaget eller luftutloppet	Ta bort hindret
Det finns luft i värmeväxlaren	Kontakta installatören
Dörrar eller fönster är öppna	Stäng alla dörrar och fönster
Aggregatet kör på låg hastighet	Välj medelhög eller hög fläkthastighet

Fel 3: Det läcker från aggregatet

SANNOLIK ORSAK	LÖSNING
Aggregatet står inte i våg	Kontakta installatören
Droppskålen är igensatt	Kontakta installatören

Aggregaten är märkta med följande symbol:



Symbolen anger att de elektriska och elektroniska produkterna inte kan sammanblandas med icke källsorterat hushållsavfall.

Försök INTE att nedmontera och bortskaffa systemet på egen hand: nedmontering av systemet, behandling av kylmedel, olja och andra delar ska utföras av en behörig installatör och i enlighet med tillämplig lagstiftning.

Aggregaten ska skickas till en avfallsanläggning som är specialiserad inom avfallsbehandling för återanvändning och återvinning.

Genom att försäkra er om att produkten har bortskaffats och avfallsbehandlats på rätt sätt, hjälper ni till att förhindra miljöförurening och skyddar människors hälsa.

För mer information, ta kontakt med er installatör eller de lokala myndigheterna.





Przed uruchomieniem jednostki należy dokładnie zapoznać się z niniejszą instrukcją. Nie wyrzuć jej, lecz odłożyć w bezpieczne miejsce, aby była dostępna w razie konieczności jej użycia w przyszłości.

Niewłaściwa instalacja lub nieprawidłowy montaż jednostki lub jej akcesoriów może doprowadzić do niebezpieczeństwa porażenia prądem elektrycznym, zwarcę, wycieków lub uszkodzeń innych części jednostki. Upewnij się, że stosowane są jedynie akcesoria wyprodukowane przez Daikin, które zostały zaprojektowane specjalnie do użytku z jednostką i których instalacja musi być przeprowadzona przez profesjonalistów.

W przypadku pojawienia się wątpliwości odnośnie procedur montażu lub obsługi należy skontaktować się z instalatorem Daikin w celu uzyskania porad lub informacji.



Opcjonalny zestaw elektrycznego urządzenia grzewczego (EEH) nie może być zamontowany na jednostkach 2-rurowych z baterią 4-rzędową i na jednostkach 4-rurowych.

PRZED INSTALACJĄ

Instalacja i konserwacja musi być przeprowadzona przez wyspecjalizowanych profesjonalnych techników zgodnie z aktualnymi normami bezpieczeństwa.

Przy odbiorze jednostki należy sprawdzić jej stan oraz czy nie została uszkodzona podczas transportu.

W przypadku instalacji lub korzystania z akcesoriów należy zapoznać się z odpowiednimi kartami technicznymi.

Zidentyfikować model i wersję jednostki na podstawie oznaczeń podanych na opakowaniu.

OGRANICZENIA W UŻYTKOWANIU I DZIAŁANIU

Daikin nie ponosi odpowiedzialności, gdy

- jednostka została zainstalowana przez personel niewykwalifikowany;
- jednostka była użytkowana w niewłaściwy sposób;
- jednostka była użytkowana w niedozwolonych warunkach;
- nie zostały przeprowadzone czynności konserwacyjne podane w niniejszej instrukcji;
- nie zastosowano oryginalnych części zamiennych.

Aby uniknąć osadzania się pyłu wewnątrz jednostki, należy pozostawić ją w opakowaniu aż do rzeczywistej jej instalacji. Poniżej przedstawiono ograniczenia w pracy jednostki, natomiast wszystkie pozostałe metody jej użytkowania uznawane są za niewłaściwe:

- płyn grzewczy: woda/glikol
- temperatura wody: 5°C~95°C
- maksymalne ciśnienie robocze: 10 bar
- temperatura powietrza: 5°C~43°C
- nominalne napięcia zasilania: 230V - 50 Hz

Wybór położenia do instalacji:

- nie instalować jednostki w pomieszczeniach, w których znajdują się gazy łatwopalne;
- nie kierować strumienia wody bezpośrednio na jednostkę;
- instalować jednostkę na sufitach i ścianach, które są w stanie wytrzymać jej ciężar; dookoła jednostki pozostawić wolną przestrzeń przeznaczoną na jej pracę i wykonywanie niezbędnych czynności konserwacyjnych, po uwzględnieniu wszystkich zainstalowanych akcesoriów opcjonalnych;
- nie ustawiać jednostki grzewczej bezpośrednio pod wtyczką/gniazdem elektrycznym.

WYMIARY (Patrz rysunek 1)

- 1 Wolna przestrzeń dla połączeń hydraulicznych^(*)
- 2 Szczeliny 9 x 20 mm do montażu na suficie/ścianie
- 3 Wolna przestrzeń dla połączeń elektrycznych^(*)
- 4 Połączenia hydrauliczne (4 DF = system 4-rurowy)
- 5 Taca skroplin do instalacji pionowej
- 6 Wylot powietrza dla modeli zabudowanych
- 7 Wlot powietrza dla modeli zabudowanych
- 8 Taca skroplin dla instalacji poziomej
- 9 Wylot powietrza
- 10 Wlot powietrza

^(*) Oznaczenia te stosowane są na urządzeniach, których połączenia hydrauliczne znajdują się z lewej strony, jeżeli oznaczenia „wolnego miejsca” znajdują się z prawej strony, to należy je traktować jako odwrócone.

INSTALACJA



Przed zainstalowaniem wentylokonwektora należy upewnić się, że:

- na miejscu instalacji jest wystarczająco dużo przestrzeni do pomieszczenia urządzenia i do wykonywania czynności instalacji i konserwacji.
- nie występują żadne przeszkody na przełocie powietrza zarówno po stronie ssącej jak i tłocznej.
- położenie i rozmiary złączy hydraulicznych są zgodne z wymaganiami urządzenia (patrz rysunek 1).
- linia zasilania posiada parametry zgodne z tymi podanymi na tabliczce znamionowej wentylokonwektora.



Podczas normalnej pracy, zwłaszcza przy minimalnej prędkości wentylatora i otaczającym powietrzu o wysokiej wilgotności względnej, może dojść do skraplania pary wodnej na niektórych częściach zewnętrznej konstrukcji urządzenia. Aby uniknąć takich zjawisk, zawsze pozostając w granicach prac przewidzianych dla urządzenia, konieczne jest ograniczenie temperatury (średniej) wody wewnątrz wymiennika. W szczególności różnica między temperaturą rosy powietrza (TA, DP) a średnią temperaturą wody (TWM) NIE może być wyższa niż 14 °C, zależnie od relacji: $TW > TA, DP - 14 °C$

Przykład: w przypadku powietrza otaczającego w temperaturze 25 °C przy 75% wilgotności względnej temperatura rosy wynosi około 20 °C, dlatego średnia temperatura wody w akumulatorze musi wynosić powyżej $20 - 14 = 6 °C$, aby uniknąć kondensacji.

W przypadku długotrwałego wyłączenia terminala, przy nieruchomym wentylatorze i obiegu zimnej wody w wymienniku, kondensacja może również tworzyć się na zewnątrz urządzenia. W takim przypadku zaleca się zainstalowanie trójdrożnego (lub 2-drogowego) zaworu w celu zatrzymania przepływu wody w akumulatorze po zatrzymaniu wentylatora.

Zdjąć ewentualną ramę zewnętrzną poprzez odkręcenie 4 śrub mocujących dostępnych poprzez boczne drzwiczki podnoszone (patrz rysunek 2). W przypadku wersji FWL i FWR należy odkręcić także 2 śruby znajdujące się na panelu przednim.

Zainstalować urządzenie, zachowując odległość od ściany podaną na rysunku 8.

Zainstalować jednostkę podstawową na suficie/ścianie, wykorzystując 4 szczeliny montażowe i dostarczone śruby kotwiące, ustawiając ją przynajmniej 100 mm od podłogi, aby umożliwić odpowiednie ssanie powietrza i łatwe wyjęcie filtra w przypadku modeli FWV, FWZ, FWM i FWS. W przypadku modeli sufitowych FWM, FWS, FWL i FWR należy sprawdzić, aby wysokość instalacji odpowiadała wartościom podanym na rysunku 3 celem uniknięcia nadmiernego nawarstwiania się ciepłego powietrza w górnej części pomieszczenia. W przypadku instalacji na większej wysokości zaleca się zassanie powietrza z

dolnej części pomieszczenia. Wysokość instalacji zależy od maksymalnej prędkości pracy jednostki.

Połączenia hydrauliczne należy wykonać do wymiennika ciepła, a w przypadku występowania funkcji chłodzenia także do systemu odprowadzania wody.

W przypadku stosowania urządzenia do chłodzenia należy upewnić się, że wszystkie przewody zostały izolowane na miejscu, aby uniknąć kapania skroplin na podłogę. Przewody bez izolacji powodują uszkodzenia.

Zalecamy usytuowanie wejścia wody od spodu wymiennika ciepła, a wyjście od części górnej.

Aby ułatwić odprowadzanie wody, należy pochylić rurę wylotową w dół przynajmniej o 3cm/m, unikając powstawania węzłów lub ściskania przejść wody. Istnieje możliwość zmiany strony, z której ma zostać podłączony obwód wody, postępując w następujący sposób:

- zdjąć przedni panel obudowy jednostki podstawowej (4 śruby) w przypadku modeli FWV i FWZ lub zdjąć główną tacę skroplin w przypadku modeli FWL, FWR, FWM i FWS;
- zdjąć pokrywę z wymiennika ciepła (2 śruby);
- wyjąć wymiennik ciepła (4 śruby) przymocowany do bocznych paneli jednostki podstawowej;
- wyjąć przegrodę dolną;
- odłączyć przewody silnika od skrzynki zaciskowej;
- wyjąć skrzynkę zaciskową i zamontować ją po przeciwnej stronie;
- wyjąć przewód silnika i umieścić go po przeciwnej stronie; wyjąć gumową tuleję wyciskową;
- wyjąć rurę wylotową i umieścić ją po przeciwnej stronie, ustawić rurę wylotową w miejscu, w którym znajduje się korek zamykający tacę skroplin i ustawić korek w położeniu, w którym początkowo znajdowała się rura wylotowa;
- obrócić wymiennik ciepła o 180° i umieścić go w panelu bocznym, usuwając nacięte szczeliny, a następnie zamocować go do jednostki za pomocą śrub będących w wyposażeniu;
- ponownie zamontować przegrodę dolną na spodzie;
- ponownie zamontować pokrywę wymiennika;
- ponownie zamontować panel kontrolny z przodu podłączeń obwodu wody w przypadku modelu FWV i FWZ;
- umieścić gumową tuleję wyciskową w otworze używanym wcześniej do rury wylotowej, ponownie zamontować zacisk kablowy na panelu bocznym i zamocować przewody, podłączając je do skrzynki zaciskowej;
- ponownie zamontować panel przedni obudowy (4 śruby) w przypadku modeli FWV i FWZ lub główną tacę skroplin dla modeli FWL, FWR, FWM i FWS;
- zamknąć wcześniej używane otwory za pomocą materiału kroploszczelnego.

Odpowietrzyć wymiennik ciepła przy użyciu zaworów spustowych powietrza (klucz sześciokątny 10) umieszczonych obok podłączeń obwodu wody wymiennika.

W przypadku modeli FWM i FWS należy dokonać podłączeń między jednostką a przewodami oraz umieścić materiał izolacyjny między przewodem a jednostką.

Przewody, szczególnie te wyjściowe, muszą być izolowane.

Aby uniknąć zassania powietrza na jednostce, należy zachować minimalną odległość między wylotem powietrza a strumieniem odzyskanego powietrza, zgodnie z rysunkiem 4.

Minimalna wysokość instalacji nie może być mniejsza niż 1,8 m od poziomu podłogi.

W przypadku modeli FWM i FWS zaleca się zastosowanie drzwiczek kontrolnych dla każdej jednostki.



Modele do zabudowy FWM i FWS nie mogą być dostępne dla osób nieupoważnionych.

W przypadku modeli FWL i FWR należy zainstalować płytę dolną zgodnie z rysunkiem 6.



W przypadku wentylokonwektorów wyposażonych w rezystor pomocniczy należy upewnić się, że ewentualny materiał palny znajduje się w minimalnej odległości 30 cm od elektrycznego elementu grzewczego.



Konieczne jest zamocowanie bocznych otwieranych drzwiczek za pomocą śrub w przypadku braku pokładowych urządzeń kontrolnych wentylokonwektora.

POŁĄCZENIA DO WYKONANIA NA MIEJSCU



Zarówno połączenia elektryczne jak i instalacja komponentów muszą być wykonane wyłącznie przez wykwalifikowanego elektryka i zgodnie z odpowiednimi wytycznymi zawartymi w obowiązującej normie lokalnej.

Połączenia elektryczne należy wykonać po odłączeniu zasilania. Odnieść się do rysunku 5. Dla poszczególnych opcji należy zapoznać się z odpowiednią instrukcją.

Sprawdzić, czy zasilanie odpowiada wartości nominalnej podanej na tabliczce znamionowej jednostki.

Każda jednostka wymaga zastosowania wyłącznika sieciowego odłączającego wszystkie bieguny zasilania w kategorii przepięciowej III.

Zużycie energii elektrycznej podane jest na tabliczce znajdującej się na jednostce.

Upewnić się, że połączenia elektryczne zostały wykonane odpowiednio do kombinacji jednostka/kontroler oraz zgodnie ze schematem elektrycznym dołączonym do każdego akcesoria.

Tabela z komponentami elektrycznymi

BK.....	Czarny = maksymalna prędkość
BU.....	Niebieski = średnia prędkość
GNYE	Żółty/Zielony = uziemienie
RD	Czerwony = minimalna prędkość
WH.....	Biały = wspólny
- - -	Połączenia do wykonania na miejscu
F	Bezpiecznik (niebędący w wyposażeniu)
IL.....	Wyłącznik główny (niebędący w wyposażeniu)
M.....	Silnik
CN	Złącze
COM-102	Połączenia do kontrolera

PRÓBA DZIAŁANIA

Sprawdzić, czy jednostka jest idealnie wypoziomowana i upewnić się, że rura wylotowa nie jest zatkana (osady, itd.)

Sprawdzić izolację połączeń obwodu wody (do wymiennika ciepła i odprowadzania wody).

Sprawdzić, czy połączenia elektryczne są solidne (kontrolę przeprowadzić po odłączeniu napięcia (OFF)).

Upewnić się, że odpowietrzenie wymiennika ciepła zostało wykonane prawidłowo.

Wymienić zewnętrzną ramę (jeśli występuje).

Włączyć wyłącznik główny i sprawdzić działanie jednostki.

OBŚLUGA

Aby uzyskać informacje odnośnie obsługi jednostki, należy zapoznać się z zaleceniami zawartymi w instrukcji instalacji i działania jednostki

sterowniczej. Dedykowane jednostki sterownicze dostępne są jako akcesoria.

Istnieje możliwość obrócenia kratki wylotu powietrza o 180°, aby skierować strumień powietrza na pomieszczenie lub na ścianę, na której zamontowana jest jednostka.

Kratki i części boczne wbudowane są w ramę zewnętrzną. Przed ich zdjęciem w celu zmiany ich położenia należy odłączyć zasilanie i założyć rękawice ochronne.

KONSERWACJA I CZYSZCZENIE

Ze względów bezpieczeństwa przed wykonaniem jakiegokolwiek czynności konserwacji lub czyszczenia należy wyłączyć jednostkę, ustawiając przełącznik na „Stop”, a wyłącznik główny w położenie 0 (OFF).

Konserwacja



Czynności konserwacji mogą być wykonane wyłącznie przez pracowników centrum pomocy technicznej upoważnionego przez producenta lub przez personel wykwalifikowany.

Podczas wykonywania czynności konserwacji należy zachować szczególną ostrożność, gdyż niektóre części metalowe mogą spowodować uszkodzenia. Z tego względu należy stosować rękawice ochronne.

Jednostka nie wymaga szczególnej konserwacji: konieczne jest jedynie okresowe czyszczenie filtra powietrza.

Aby wyeliminować jakikolwiek rodzaj tarcia mechanicznego, jednostka musi pracować przez 100 godzin.

Jednostkę należy ponownie uruchomić na maksymalnej prędkości.

Aby urządzenie działało prawidłowo, należy stosować się do poniższych zaleceń:

- utrzymać filtr powietrza w czystości;
- nie wylewać płynów na jednostkę;
- nie wprowadzać komponentów metalowych przez kratkę wylotu powietrza;
- utrzymać wlot i wylot powietrza wolny od wszelkich przeszkód. Podczas każdego uruchamiania systemu po długim postoju należy upewnić się, że w wymienniku ciepła nie znajduje się powietrze.

Przed użyciem jednostki do chłodzenia powietrza należy sprawdzić co następuje:

- czy skropliny zostały całkowicie usunięte;
- czy żeberka wymiennika ciepła nie są zatkane przez osady zanieczyszczeń. W razie konieczności należy je umyć przy użyciu sprężonego powietrza pod niskim ciśnieniem lub pary, uważając, aby ich nie uszkodzić.

Czyszczenie



Czyszczenie filtra powietrza może być wykonane wyłącznie przez pracowników centrum pomocy technicznej upoważnionego przez producenta lub przez personel wykwalifikowany.

Czyścić filt przynajmniej raz w miesiącu i zawsze przed użyciem jednostki (przed sezonem ogrzewania lub chłodzenia powietrza).

Aby oczyścić filtr, należy postępować w następujący sposób (rysunek 7)

- **Model FWV i FWZ**
Odkręcić śruby mocujące filtr do ramy o 90° i wyjąć go,
- **Model FWL i FWR**
Wyjąć filtry powietrza znajdujące się wewnątrz kratki wlotu umieszczonych w przednim panelu ramy pokryw.
- **Model zabudowany FWM i FWS**
Dostać się do jednostki poprzez panel kontrolny i wyjąć filtr, obracając uchwyty blokujące o 90°,
- następnie umyć filtr letnią wodą lub sprężonym powietrzem, gdy występuje suchy pył,

- a po dokładnym jego osuszeniu ponownie go założyć.

Zaleca się, aby wymieniać filtr powietrza każdego roku i stosować jedynie oryginalne części zamienne. Nazwa modelu jednostki podana jest na tabliczce znajdującej się na bocznym panelu jednostki podstawowej.

Aby umyć ramę jednostki, należy postępować jak następuje:

- użyć wilgotnej ścierki;
- nie wylewać żadnego płynu na jednostkę, aby zapobiec ryzyku porażenia prądem elektrycznym lub aby nie uszkodzić komponentów;
- nie stosować zbyt agresywnego chemicznie rozpuszczalnika; nie używać zbyt ciepłej wody do mycia kratki wylotu powietrza.

ZALECENIA ODNOŚNIE UTYLIZACJI

Utylizację urządzenia należy przeprowadzić zgodnie z lokalnymi i krajowymi normami obowiązującymi w tym zakresie.

DIAGNOSTYKA NIEPRAWIDŁOŚCI

Jeżeli jednostka nie działa prawidłowo, należy sprawdzić przede wszystkim punkty podane w poniższej tabeli przed zwróceniem się o pomoc techniczną. Jeżeli problem nie ustaje, należy skontaktować się ze sprzedawcą lub z centrum pomocy technicznej.

Symptom 1: Jednostka w ogóle nie działa

MOŻLIWA PRZYCZYNA	CZYNNOŚĆ NAPRAWCZA
Przerwa w zasilaniu	Przywrócić zasilanie
Wyzwolil się wyłącznik różnicowoprądowy	Skontaktować się z centrum pomocy technicznej
Wyłącznik znajduje się w położeniu STOP („0”)	Ustawić jednostkę na ON, wybrać „I”

Symptom 2: Niewystarczające chłodzenie lub ogrzewanie

MOŻLIWA PRZYCZYNA	CZYNNOŚĆ NAPRAWCZA
Brudny lub zatkany filtr powietrza	Umyć filtr powietrza
Przeszkoda w pobliżu wlotu lub wylotu powietrza	Usunąć przeszkodę
Obecność powietrza w wymienniku ciepła	Skontaktować się z instalatorem
Otwarte są drzwi i okna	Zamknąć drzwi i okna
Jednostka pracuje z niską prędkością	Wybrać średnią lub wysoką prędkość

Symptom 3: Wyciek z jednostki

MOŻLIWA PRZYCZYNA	CZYNNOŚĆ NAPRAWCZA
Jednostka nie jest dobrze wypoziomowana	Skontaktować się z instalatorem
Taca skroplin jest zatkana	Skontaktować się z instalatorem

Jednostki oznaczone są następującym symbolem:



to, że nie wolno mieszać produktów elektrycznych i innych z niesegregowanymi odpadami domowymi.

NIE próbować utylizować systemu samodzielnie: utylizacja systemu, przetwarzanie chłodziwa, oleju i innych części musi być przeprowadzona przez upoważnionego instalatora zgodnie z obowiązującymi przepisami.

Przetwarzanie jednostek musi się odbywać w wyspecjalizowanym zakładzie obróbki zajmującym się reutilizacją, recyklingiem i odzyskiem.

Zapewnienie prawidłowej utylizacji niniejszego produktu przyczynia się do zapobieżenia ewentualnym negatywnym konsekwencjom dla środowiska i zdrowia ludzkiego.

Aby uzyskać więcej informacji, należy skontaktować się z instalatorem lub władzami lokalnymi.



DAIKIN EUROPE NV

Zandvoordestraat 300, B-8400 Oostende, Belgium

4PW17548-5