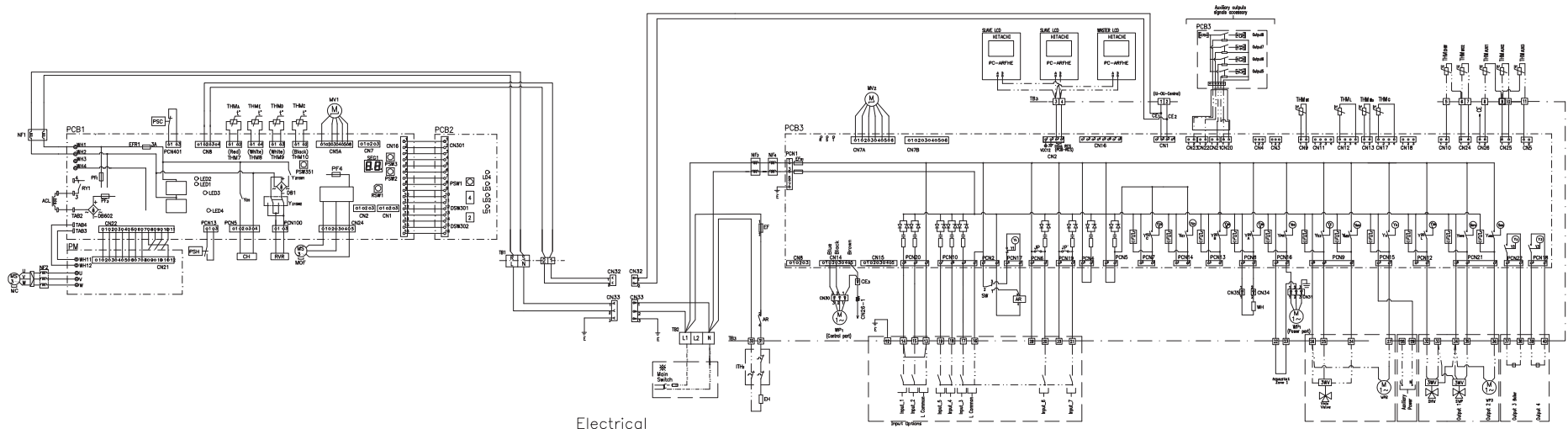
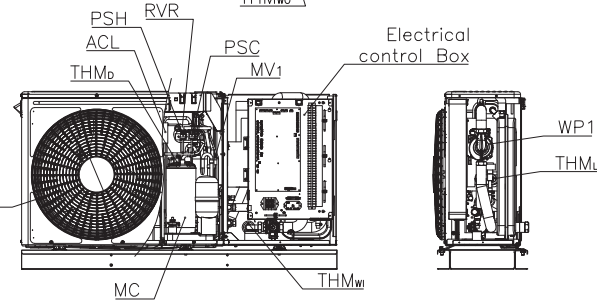
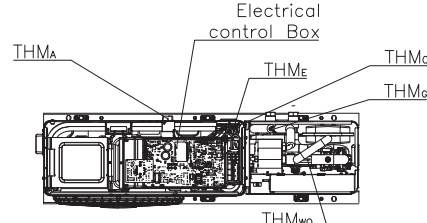
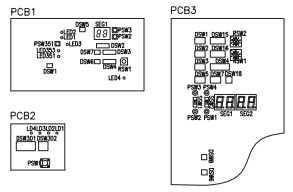


SCHALTPLAN RASM-(2-3)VRE



PCB1, PCB2, IPM Sockets location



PCB3 Mark Table

Mark	Part Name
EFn	Fuse (PCB)
DSW	Additional setting (Unit Type)
DSW	Capacity Setting
DSW	Additional setting
DSW	Terminating Resistance (Setting HLINK)
DSW	Terminating Resistance (Setting HLINK RCS)
RSW	Refrigerant address
RSW	IU address
RSW	Remote or Local operation
SSW	Cool or Heat operation
LED	LEDs indication
SEG	Seven segments indication
Y ₁₋₄	Relay for electrical heater
Y ₁	Relay for electrical heater
Y ₂	Relay for 3 way valve DHWT (output 1)
Y ₃	Relay for mixing valve
Y ₄	Relay for mixing valve
Y ₁	Relay for water pump 2
Y ₂	Relay for water pump 1
Y ₃	Relay for water pump 3 (output 2)
Y ₁	Relay for Electrical Heater Tank
Y ₂	Relay for output 3 (boiler)
Y ₃	Relay for output 4 (solar)

PCB1 Mark Table

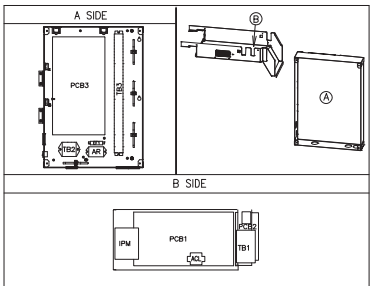
Mark	Part Name
EFn	Fuse (PCB)
DSW	Setting Switch on PCB
RSW	Auxiliary Functions Setting
LED	Indication Lamp for 7 segments
LED	Refrigerant System Setting

Mark Table

Mark	Part Name
THM ₁₋₄	DHWT water thermistor
THM ₂	Outlet C2 water thermistor
THM ₁₋₂	Auxiliar thermistor
THM ₃	Outlet water thermistor
THM ₄	Inlet water thermistor
THM ₅	Liquid pipe thermistor
THM ₆	Gas pipe thermistor
THM ₇	Ambient thermistor (THM7)
THM ₈	Thermistor for Evaporator pipe (THM8)
THM ₉	Thermistor for (COMP) Top (THM9)
THM ₁₀	Thermistor for Condenser pipe (THM10)
-C-	Terminals
+	Close-end connector
※	Field supplied
---	Field wiring
-----	Earth wiring
-----	Factory wiring

Mark Table

Mark	Part Name
TB ₁₋₂	Terminal Board (for Power Supply)
TB ₃	Terminal Board (for Control Circuit)
MC	Motor for compressor
PCB ₁₋₃	Printed Circuit Board
IPM	Inverter Module
EF	Fuse (Heater Tank)
ACL	Reactor
MV ₁₋₂	Electronic Expansion Valve
PSH	High pressure switch
PSC	Low Pressure Switch (for Control)
MOF	Motor (for Fan)
RVR	4-Way Solenoid Valve
CH	Oil Heater
AR	Contact heater tank
CN ₁₋₃₅	Connector
CE ₁₋₃	Connector
EH	Electric heater (tank)
LCD	User interface LCD (PC-ARFHE)
NF ₁₋₄	Noise filter
WP ₁₋₃	Water pumps
THM ₈	Thermistor for Evaporator pipe (THM8)
THM ₉	Thermistor for (COMP) Top (THM9)
THM ₁₀	Thermistor for Condenser pipe (THM10)
-C-	Terminals
+	Close-end connector
※	Field supplied
---	Field wiring
-----	Earth wiring
-----	Factory wiring



Factory Setting Position of Dip Switch

Model	PCB1							PCB2		PCB3												
	DSW1	DSW2	DSW3	DSW4	DSW5	DSW6	DSW7	RSW1	DSW301	DSW302	DSW1	DSW2	DSW3	DSW4	DSW5&7	DSW6/8/18	DSW15&16	RSW1	RSW2	SSW1	SSW2	
2 HP																						
3 HP																						

The side of the mark "■" indicates the dip switch position.