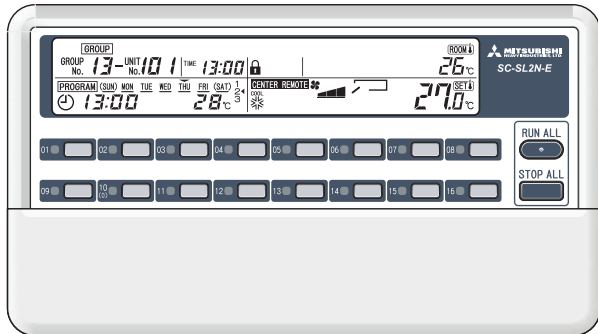


INSTALLATION MANUAL

CENTRAL CONTROL SC-SL2N-E (CENTER CONSOLE)



INSTALLATION MANUAL
CENTRAL CONTROL SC-SL2N-E

ENGLISH

MANUEL D'INSTALLATION DU
COMMANDE CENTRALISEE SC-SL2N-E

FRANÇAIS

INSTALLATIONS-HANDBUCH
ZENTRALSTEUERUNG SC-SL2N-E

DEUTSCH

INSTALLAZIONE MANUALE
CONTROLLO CENTRALE SC-SL2N-E

ITALIANO

MANUAL DE INSTALACIÓN
CONTROL CENTRAL SC-SL2N-E

ESPAÑOL

INSTALLATIEHANDLEIDING
CENTRALE BEDIENING SC-SL2N-E

NEDERLANDS

MANUAL DE INSTALAÇÃO
CONTROLO CENTRAL SC-SL2N-E

PORTUGUÊS

ΕΓΧΕΙΡΙΔΙΟ ΓΙΑ ΤΗΝ ΕΓΚΑΤΑΣΤΑΣΗ ΤΗΣ
ΕΚΝΤΡΙΚΗ ΚΟΝΣΟΛΑ SC-SL2N-E

ΕΛΛΗΝΙΚΑ

РУКОВОДСТВО ПО УСТАНОВКЕ ЦЕНТРАЛЬНОЙ КОНСОЛИ
ЦЕНТРАЛЬНЫЙ ПУЛЬТ УПРАВЛЕНИЯ SC-SL2N-E

РУССКИЙ

KURULUM KILAVUZU
MERKEZİ KONTROL SC-SL2N-E

TÜRKÇE

安装手册

中国語

中央控制器 SC-SL2N-E



This central control complies with EMC Directive 2004/108/EC,
LV Directive 2006/95/EC.

Cette commande centralisée est conforme à la Directive EMC:
2004/108/EC, LV Directive 2006/95/EC.

Esta control central cumple con la directiva EMC: 2004/108/
EC, LV Directiva 2006/95/EC.

Deze centrale bediening voldoet aan EMC Directive 2004/108/
EC, LV Directive 2006/95/EC.

Dieses Zentralsteuerung erfüllt die EMC Direktiven 2004/108/
EC, LV Direktiven 2006/95/EC.

Questa controllo centrale è conforme alla Direttiva EMC: 2004/
108/EC, LV Direttiva 2006/95/EC.

Esta controlo central está em conformidade com a Directiva
EMC 2004/108/EC e a Directiva LV 2006/95/EC.

Αυτή η κεντρική κονσόλα πληροί τις προδιαγραφές της
Οδηγίας EMC 2006/95 και της Οδηγίας LV 2004/108 της
ΕΟΚ.

CENTRAL CONTROL SC-SL2N-E INSTALLATION MANUAL

- Please be sure to read this manual carefully and follow it before installation work.
- Please refer to indoor unit and outdoor unit installation manual together for installation work.
- The appliance must be installed in accordance with national wiring regulations.
- The product is precision equipment, so please handle it with enough care to prevent the unit damage due to falling and being stepped on.
- Before touching the terminal block, turn off the power supply.

Safety Precautions

PJZ012D065

- Please read this "Safety Precautions" for Installation work and follow it properly.
 - Safety Precautions are divided into "Warning ⚠" and "Caution ⚠".
- ⚠ **WARNING** : Wrong installations may cause serious consequences such as serious injuries or death.
- ⚠ **CAUTION** : Wrong installations may cause serious consequences depending on circumstances.

Please be sure to follow the instruction.

After the installation, please make a test run and confirm no abnormalities occurs during the test run. Please explain the operation method to the customers according to the user's manual. Please request the customers to keep this Installation manual.

⚠ WARNING

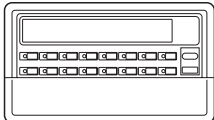
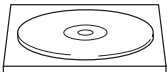
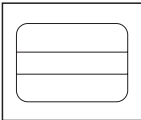

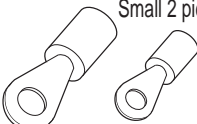
- Please consign the installation work to the dealer or professional installer. Self-installation may cause incomplete work, electric shock and resultant fire.
- Please install the unit properly according to the installation manual. Incomplete installation may cause electric shock and resultant fire.
- Please be sure to only use attached accessories and specified parts for the installation work, or it may cause electric shock and resultant fire.
- The electrical work should be performed by qualified electrical engineer, according to <Electrical Standards>, <Local electrical safety regulations> and wiring specification. Incomplete installation work may cause electric shock and resultant fire.
- When wiring, ensure solid connection and fasten specified cables securely so that terminal connections may not be subject to external force working on cables. Incomplete connection for terminal wiring may cause electric shock and resultant fire.

⚠ CAUTION

- Please perform grounding work.
Please do not connect the ground wire with gas pipes, water pipes, lightning rod and telephone ground wire. Incomplete grounding work may cause the electric shock.
- Please do not install the central control at the following places.
 1. Oil fog filled place, oil spraying and steamy location such as kitchen, etc.
 2. The place where corrosive gas such as sulfur dioxide generates.
 3. The location with the machine that generates radio wave.
It may cause abnormality in the control system and abnormal running.
 4. The location at the risk of flammable gas leaking.
The place where exists volatile catching fire thing such as paint thinner and gasoline.
By any chance the gas leaks and it accumulates around the equipment, it may cause ignition.

1 **Applicable Models** All models for Super Link

2 **Accessories** Please check the following accessories.

①Central control	②User's manual CD	③Switch indication labels	④Pan-head screws	⑤Round crimping terminals
			M4 x I25 x 4 pieces 	Large 2 pieces Small 2 pieces 

Use the Electrical box for installation.
Please prepare on site.

Installation Work

Please install the central control after turning off the power for fear of electric shock.

Please arrange or protect the wiring so that excessive force is not applied to the electrical wires.

Control PCBs (printed circuit boards) are mounted to both the top and bottom cases.

Be careful that you do not damage the PCBs when using a screwdriver and other tools.

The PCBs can be damaged by static electricity, and so be sure to discharge any static electricity accumulated on your body before starting the work.

(Static electricity can be discharged by touching the control board and other grounded parts.)

Installation Place

Please install in an indoor location that is not exposed to electromagnetic waves, water, dust, or other foreign substances.

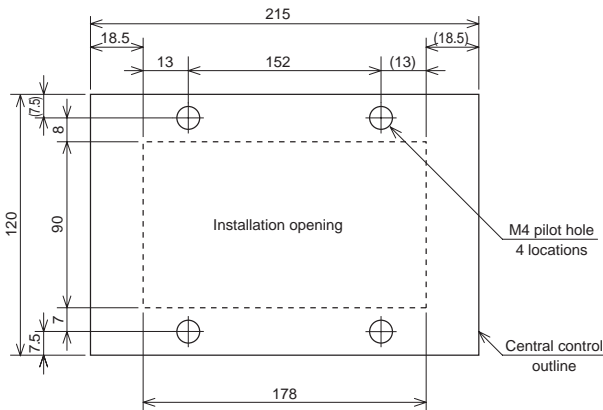
The operating temperature range of this product is from 0°C to 40°C.

Install in a location where the ambient temperature remains within the operating temperature range.

However, if the operating temperature range is exceeded, be sure to implement corrective measures such as installation of a cooling fan.

Be aware that continued usage of this central control outside the operating temperature range can result in operation problems.

Space Required for Installation



The dotted lines show the installation opening section for installation on the control board (the dimensions are only an example).

Service Space

Front of central control

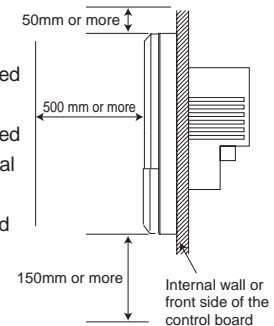
500mm or more is needed

Bottom of central control

150mm or more is needed

Left, right and top of central control

50mm or more is needed



(1) In case of installing on the control board

Please be sure to lock the control board to protect persons from the electric shock.

Avoid usage of heat-retaining materials and heat-insulating materials because these can result in heat buildup and adversely affect the operation of the central control.

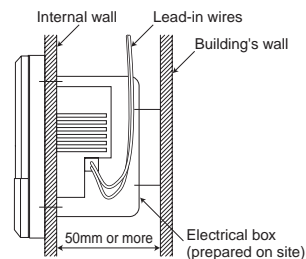
(2) In case of embedding in a wall

Please check that there is sufficient space inside the wall.

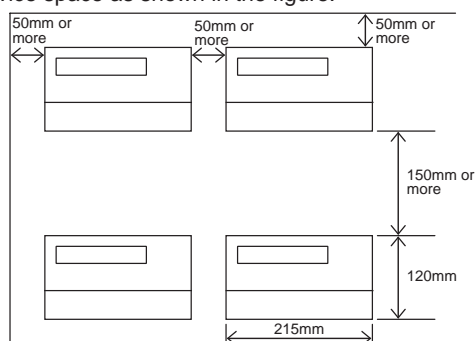
If the temperature inside the wall exceeds 40°C, install the central control on the control board.

Caution

Please do not install devices that can cause the ambient temperature to rise in the same control board. Also, do not install multiple controllers in the same control board. These can cause heat to build up and result in false operation. If multiple central control must be installed in the same control board, take corrective measures to ensure that the temperature in the control board does not rise above 40°C such as by installing cooling fans.

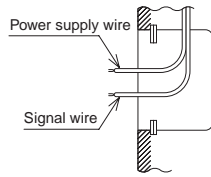


When performing the continued installation of multiple controllers, be sure to obtain the distance between units and service space as shown in the figure.



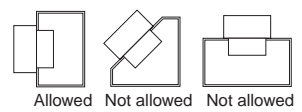
Installation Procedure

- (1) In case of embedding in a wall, first, embed the power supply wire, signal wire, and Electrical box. Keep the power supply wire and signal wire separated to prevent malfunctions.



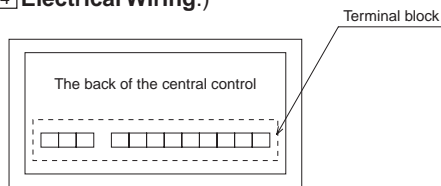
Note: Before connecting an external timer or emergency stop input, be sure to connect the wiring at the worksite first.

Caution



Please do not install facing upward or at a slant.

- (3) Connect the power supply wire to the terminal. (See section 4 **Electrical Wiring**.)



Caution

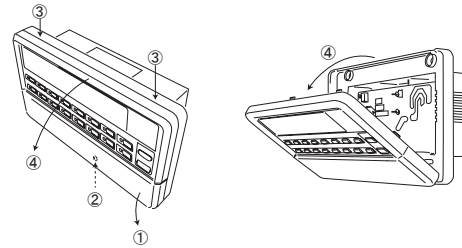
Check the supply voltage, and make the correct connection.

- (5) Use a precision screwdriver to make the control selector settings. (For details, see section 5 **Control Switch Selection**.)
 (6) Peel off the protective sheet on the screen of central control.

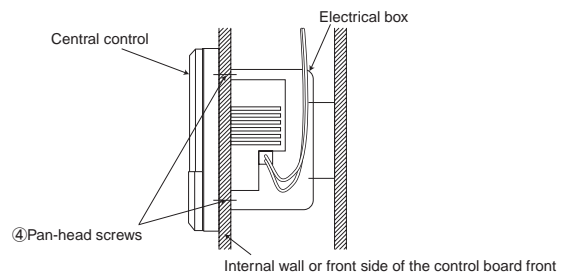
Important

Please peel off the protective sheet on the air conditioner screen when transferring the central control to the customer. Peel off before mounting the top case.

- (2) Open the top case by following the procedure below.
 ① Grasp the indentations on the right and left sides, and pull forward to open the cover downward.
 ② Use a Phillips-head screwdriver to remove the screw. (Be careful not to lose the screw.)
 ③ Open the top section in the direction ④ while gently pressing the top section.



- (4) Use the supplied ④ pan-head screws to secure the central control to the electrical box or control board.



- (7) Insert the top case back into its original location in the bottom case as before, and tighten the case mounting screws (**Installation procedure** (2) ②). This completes the installation procedure.

Caution

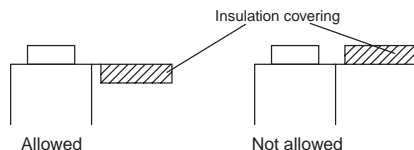
The case and power supply kit are an integrated unit. Please do not separate them.

4 Electrical Wiring

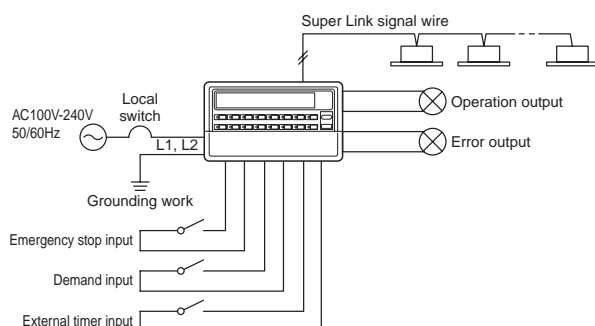
For safety reasons, please use the round crimping terminals with insulated sleeves for connecting all wires to the central control.

- Please do the grounding work. Please do not connect earth line with gas pipes, water pipes, lightning rods and grounding line of telephone.
- Please do not turn on the power supply (local switch) until all of the work is completed.
- Please wait at least two minutes after the indoor and outdoor units are turned on before turning on the power supply.
- Except for the central control in the figure, all of the components are obtained at the site (wires, switches, relays, power supply, lamps, etc.).
- Please be sure to build the breaker which is easily accessible with building equipment's wiring.
- Please be sure to use the supplied round crimping terminals when connecting wires to the power supply terminal block and Super Link terminal block.
- Please use demand input device, emergency stop input device and external timer input device comply with a relevant IEC Safety Standard.

Refer to the figure below for the terminal orientation.



Wiring Outline



Before connecting the wires, remove the cover of the terminal block. After the work is completed, fix the cover of the terminal block as before. The cover is used to prevent electric shock due to accidental contact.

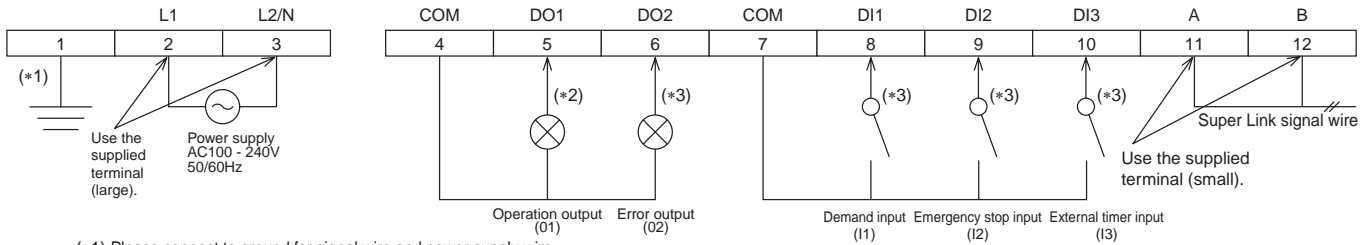
Wiring Specifications

Power supply wire	1.25mm ²
Local switch	10A
Super Link signal wire (Note 1, Note 2)	0.75mm ² - 1.25mm ² shielded wire (MVVS 2-core) Max. 1000m per line (Max. distance: 1000m, Total wire length: 1000m)
Operation output, error output, demand input, emergency stop input, external timer input wire	0.75mm ² - 1.25mm ² CCV, CPEV (2-core) Max. 200m
Grounding wire	0.75mm ² - 6mm ²

Note 1: When this central control is used, use a shielded wire for the Super Link signal wire. Ground both ends of the shielded wire. (Connect the ground for the central control to the ⚡ section in "System Wiring".)

Note 2: If the indoor and outdoor units connected to the network are all compatible units with New Super Link, a total wire length of 1500m per line is possible (maximum distance: 1000m). However, be sure to use a 0.75mm² wire diameter if the total wire length exceeds 1000m. For further information, please contact your sales representative or dealer.

System Wiring



(*1) Please connect to ground for signal wire and power supply wire.

(*2) The selected relay obtained at the site should have the following specifications: rated voltage of DC 12V and maximum power consumption of DC 0.9W or less (80mA or less)

(*3) The selected relay obtained at the site should have the following specifications: Non-voltage "a" contact input and capable of withstanding a minimum applied load of DC 12V and 10mA or less.

The DO and DI terminals are polar.

Do not connect three or more wires to the same terminal.

NOTE

Do not connect the power supply wire to another terminal. Making the wrong connection can result in damage or burning of electrical parts and is extremely dangerous. Please check the wires again before turning on the power supply.

5

Control Switch Selection

It is possible to change the setting as follows by settings of the PCB switches SW1 to SW10, J1, J2, and J3 on the central control. Please change the control on site as necessary. It is recommended to change the setting by using a precise driver.

(1) Switch

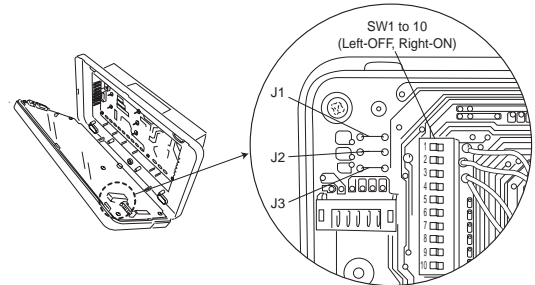
SW No.	Default	ON	OFF	Description	
SW	1	ON	See table at right	Power failure compensation function	
	2	ON	See table at right		
	3	OFF	Auto mode can be set	Auto mode cannot be set	Automatic mode display
	4	ON	Display	No display	Filter sign display on/off
	5	ON	New	Previous	New/Prev. Super Link(*1)
	6	ON	Center & Blower	Center	Sending of data during demand input
	7	OFF	—	—	(Keep at Off)
	8	OFF	Time.Month.Day	Month.Day Time	Error history display
	9	OFF	—	—	(Keep at Off)
	10	OFF	—	—	(Keep at Off)

Power failure compensation function selector

SW-1	SW-2	Function
ON	ON	Sending of program settings when power comes back on (The operation status before the power failure is sent if there is no program when power comes back on.)
ON	OFF	Sending of operation status before power failure
OFF	ON	(Do not make this setting.)
OFF	OFF	No data is sent when power comes back on

(2) Jumper wires

	Short circuit (default)	When disconnected	Function
J1	Setting possible	Setting not possible (Including the allowed/prohibited settings of each remote control function)	Center/Remote setting (*2)
J2	—	—	(Do not disconnect.)
J3	—	—	(Do not disconnect.)



(*1) Switching is needed if the connection is previous Super Link.

Actual type of network connection (New or previous Super Link) depends on the models of indoor units and outdoor units, etc. Please contact the agency or the Sales representative.

(*2) When J1 is disconnected, the Center/Remote does not be set from this central control. Please disconnect if multiple central controls are installed and another main central control exists.

When J1 is disconnected, data is sent for the blower only during demand input (nothing is performed when SW6 is off) and for stop only during emergency stop input.

6

Setting the Control Target Units

Make the settings for the units to be controlled by the central control.

For the setting procedure, see the user's manual attached to the central control.

At shipping, none of the units are set as target units for control, and so the units to be controlled by this central control must be set as control target units.

Three types of settings are available.

- ① Units are selected as control targets for central control and controlled as a group → Group setting
- ② Units are selected as control targets for central control but not grouped → Individual setting
- ③ Units are not selected as control targets for central control → Not target units for control (or units will be controlled by another central control)

Be sure to set the current time. This is needed for the program settings and error history display.

Turn on the power and press the three buttons (MENU, RESET, GROUP No. 10) at once more than five minutes, that can initialize the setting contents.

● Group control when using multiple units

This central control can control up to 64 target units (up to 48 units when using the previous Super Link setting). Multiple central controls must be installed to control 65 or more air conditioner units.

When connecting multiple central controls on a single network, any group settings can be made for each central control.

