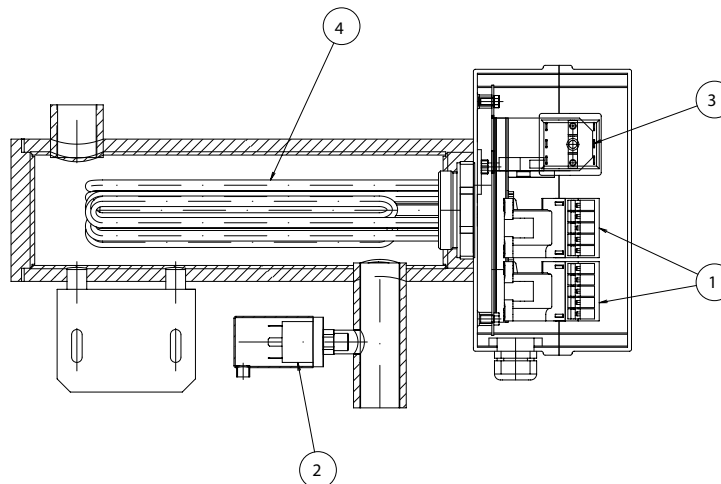


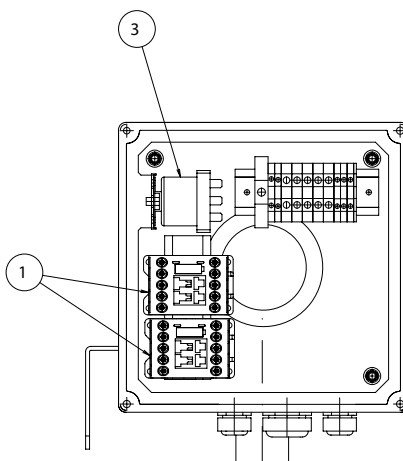
8.2. SPARE PARTS OF ACCESSORIES

8.2.1. WEH - Water Electric Heater

LOCATION OF SPARE PARTS IN THE UNIT FOR MODEL:
WEH-6E



LOCATION OF ELECTRICAL EQUIPMENT IN THE ELECTRICAL BOX



		MODEL NAME		
		WEH-6E		
No.	DESCRIPTION	Qty	REMARKS	
1	CONTACTOR	2	AS09-30-10-26M (20A AC1)	
2	PRESSURE SWITCH	1	XP600 (1 bar set)	
3	THERMOSTAT	1	85°C Cut Out	
4	RESISTOR	1	2000W +5-10% 230V	