

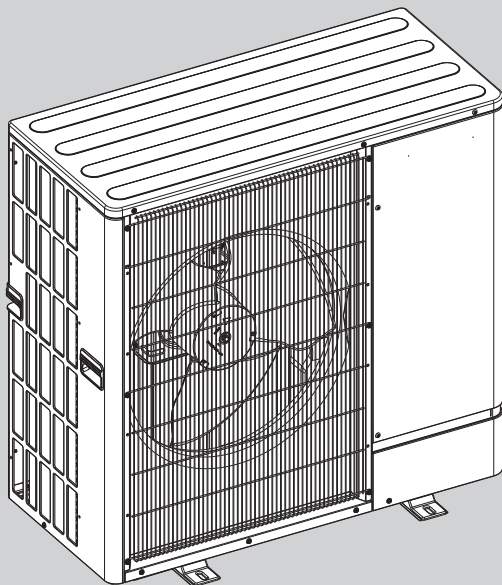
# PARTS CATALOG R290

<Outdoor unit>

[Model Name]	[Service Ref.]
PUZ-WZ50VAA	<b>PUZ-WZ50VAA.UK</b>
PUZ-WZ60VAA	<b>PUZ-WZ60VAA.UK</b>
PUZ-WZ80VAA	<b>PUZ-WZ80VAA.UK</b>

Salt proof model

PUZ-WZ50VAA-BS	<b>PUZ-WZ50VAA-BS.UK</b>
PUZ-WZ60VAA-BS	<b>PUZ-WZ60VAA-BS.UK</b>
PUZ-WZ80VAA-BS	<b>PUZ-WZ80VAA-BS.UK</b>



**PUZ-WZ50VAA.UK**

## CONTENTS

- 1. SERVICE PARTS LIST.....2
- 2. OPTIONAL PARTS.....10

**SERVICE MANUAL (OCH816)**

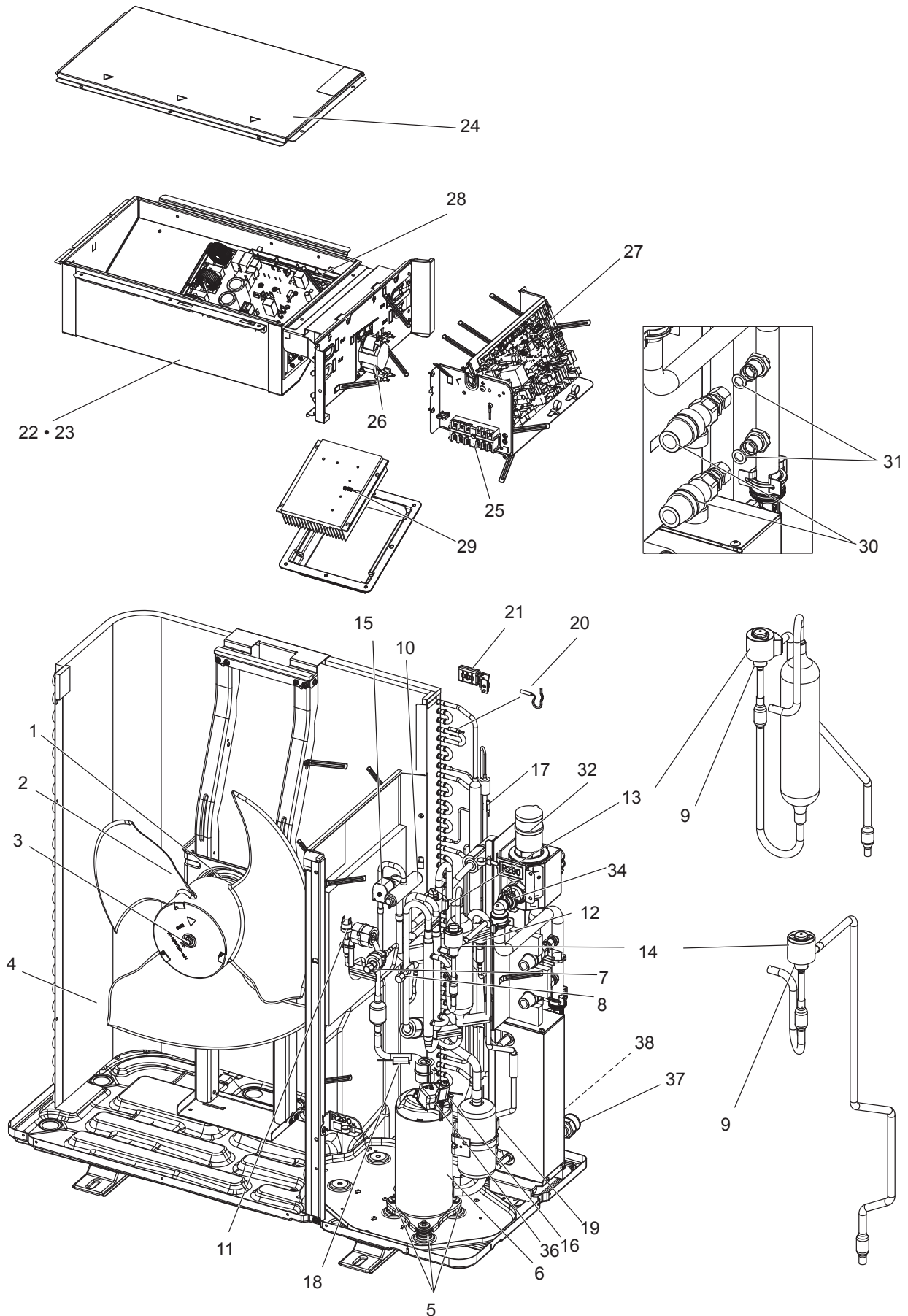
**FUNCTIONAL AND ELECTRICAL PARTS**

**PUZ-WZ50VAA.UK**

**PUZ-WZ60VAA.UK**

**PUZ-WZ50VAA-BS.UK**

**PUZ-WZ60VAA-BS.UK**

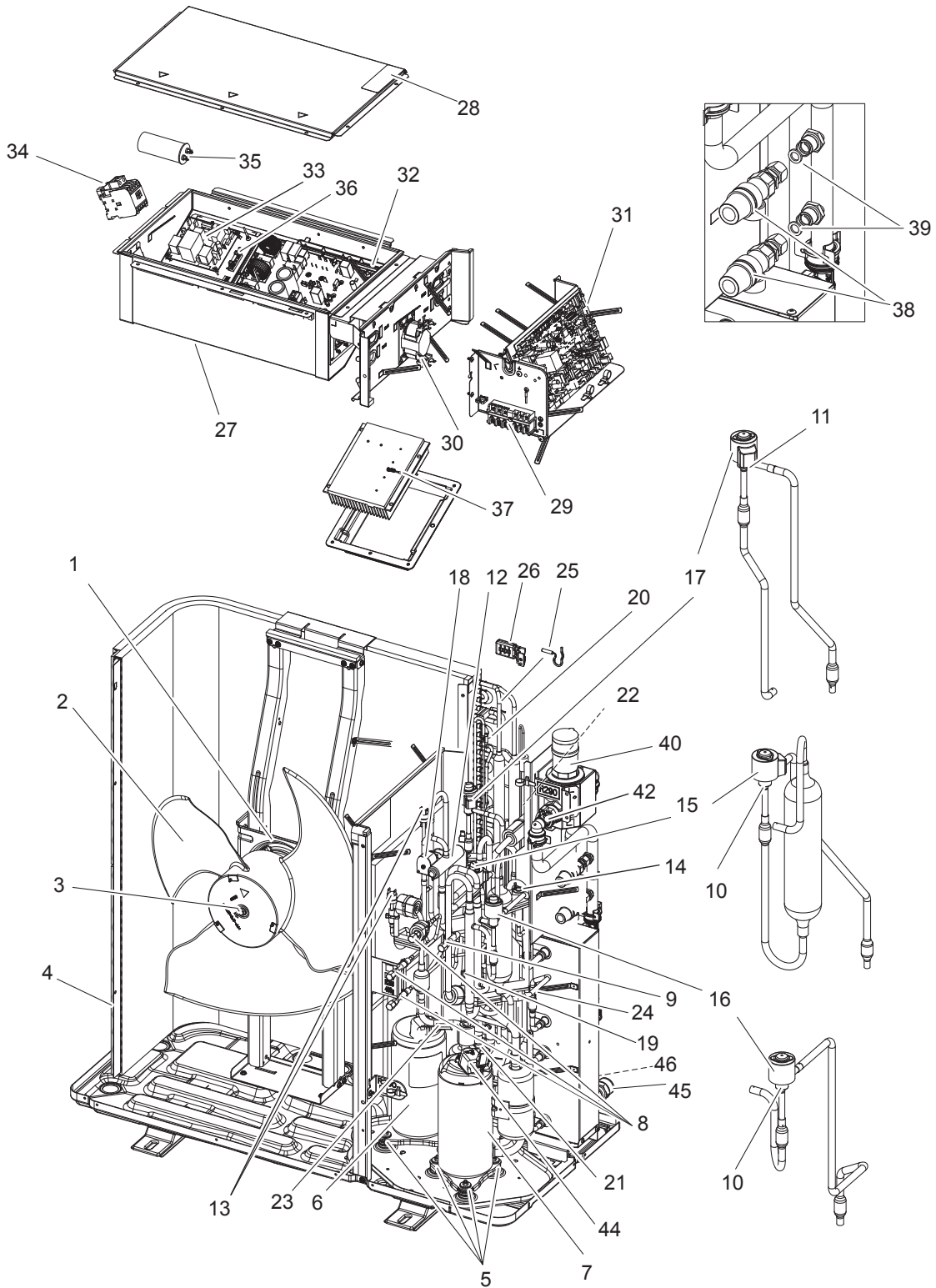


1. The part quantity below indicates the required number of pieces per unit.
2. The circled No. indicates that the part is not shown in the figure.
3. The service parts marked with "\*" can only be purchased and serviced by the contractors and the competent persons authorized by the manufacturer.

No.	Parts No.	Parts Name	PUZ-WZ50VAA.UK	PUZ-WZ60VAA.UK	PUZ-WZ50VAA-BS.UK	PUZ-WZ60VAA-BS.UK	Wiring Diagram Symbol	Remarks [Drawing No.]
1	S70 E98 763	FAN MOTOR	1	1	1	1		
2	S70 E50 115	PROPELLER FAN	1	1	1	1		
3	S70 K01 097	NUT	1	1	1	1		
*4	S70 E49 408	HEAT EXCHANGER	1	1	1	1		
5	S70 E03 004	RUBBER MOUNT	3	3	3	3		
*6	S70 E57 400	COMPRESSOR INV	1	1	1	1		
*7	S70 E06 413	CHARGE PLUG (STRAIGHT)	1	1	1	1		
*8	S70 E07 413	CHARGE PLUG (L-BENDING)	1	1	1	1		
*9	S70 A01 401	LINEAR EXPANSION VALVE (INV)	2	2	2	2	LEV A/B	UKV-SE19D018
*10	S70 E11 403	REVERSING VALVE	1	1	1	1		STF-H0239
*11	S70 E12 208	HIGH PRESSURE SWITCH	1	1	1	1	63H	ACB-1UB101
*12	S70 E03 208	HIGH PRESSURE SENSOR	1	1	1	1	63HS	NSK-BH035D-A94
13	S70 E70 402	LINEAR EXPANSION VALVE COIL	1	1	1	1	LEV-A	KVC-1A028
14	S70 E71 402	LINEAR EXPANSION VALVE COIL	1	1	1	1	LEV-B	KVC-1A029
15	S70 E77 324	SOLENOID COIL <4WAY COIL>	1	1	1	1		STF-H01AJ1709A0 with wiring of H.P. SWITCH
16	S70 E87 202	THERMISTOR (COMP. SURFACE)	1	1	1	1	TH33	PXM-M41E-M5-1R
17	S70 E87 202	THERMISTOR (LIQUID)	1	1	1	1	TH3	PXM-M41E-M5-1R
18	S70 E87 202	THERMISTOR (DISCHARGE)	1	1	1	1	TH4	PXM-M41E-M5-1R
19	S70 E87 202	THERMISTOR (PLATE HEX LIQUID)	1	1	1	1	TH34	PXM-M41E-M5-1R
20	S70 E87 202	THERMISTOR-W (2-PHASE PIPE)	1	1	1	1	TH6	PXM-M41E-M5-1R
21	S70 E87 202	THERMISTOR-W (AMBIENT)	1	1	1	1	TH7	PXM-M41E-M5-1R
22	S70 E11 316	ELECT BOX ASSY	1		1			Includes SEALING PARTS
23	S70 E12 316	ELECT BOX ASSY		1		1		Includes SEALING PARTS
24	S70 E30 502	SEALING PARTS OF ELECT BOX	1	1	1	1		
25	S70 E11 716	TERMINAL BLOCK	1	1	1	1		
26	S70 K86 259	REACTOR	1	1	1	1		
27	S70 E61 315	CONTROLLER CIRCUIT BOARD	1	1	1	1		
28	S70 E54 313	POWER CIRCUIT BOARD	1	1	1	1		
29	S70 E88 202	THERMISTOR (HEAT SINK)	1	1	1	1	TH8	LTEP-45-M4-*
30	S70 E51 404	PRESSURE RELIEF VALVE ASSY	2	2	2	2		
31	S70 C99 460	GASKET 9.52	2	2	2	2		
32	S70 E10 101	AIRSEPARATOR ASSY	1	1	1	1		
③③	S70 C23 460	O-RING	12	12	12	12		
34	S70 C10 465	FASTENER	12	12	12	12		For quick connection
③⑤	S70 C01 900	GREASE	1	1	1	1		For quick connection
36	S70 E06 706	THERMAL PROTECTOR	1	1	1	1		
37	S70 010 102	INLET WATER PIPE	1	1	1	1		
③⑧	S70 020 102	OUTLET WATER PIPE	1	1	1	1		

Do not reuse the gaskets (No.31) or O-rings (No.33) that were once removed, but be sure to replace with a new one.  
Apply grease appropriately on the O-ring for the quick connection in the unit.  
When you detach DAMPER during work, do not forget to reattach the DAMPER.  
The thermistors No. 16 to No. 21 are supplied as a set.

**FUNCTIONAL AND ELECTRICAL PARTS**  
**PUZ-WZ80VAA.UK**  
**PUZ-WZ80VAA-BS.UK**



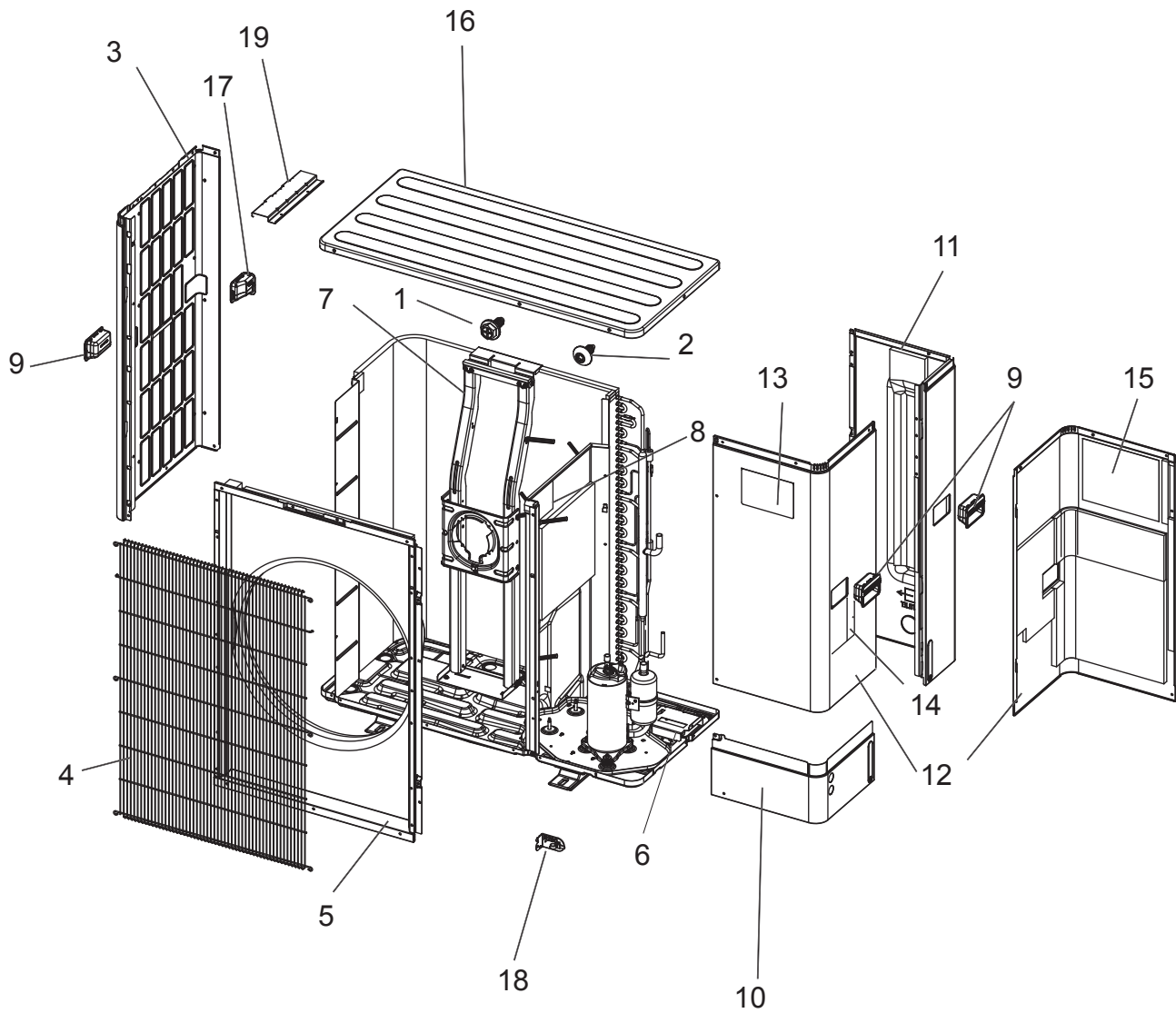
1. The part quantity below indicates the required number of pieces per unit.
2. The circled No. indicates that the part is not shown in the figure.
3. The service parts marked with "\*" can only be purchased and serviced by the contractors and the competent persons authorized by the manufacturer.

No.	Parts No.	Parts Name	PUZ-WZ80VAA.UK	PUZ-WZ80VAA-BS.UK	Wiring Diagram Symbol	Remarks [Drawing No.]
1	S 7 0 E 9 8 7 6 3	FAN MOTOR	1	1		
2	S 7 0 E 5 0 1 1 5	PROPELLER FAN	1	1		
3	S 7 0 K 0 1 0 9 7	NUT	1	1		
*4	S 7 0 E 4 8 4 0 8	HEAT EXCHANGER	1	1		
5	S 7 0 E 0 3 0 0 4	RUBBER MOUNT	6	6		
*6	S 7 0 E 5 6 4 0 0	COMPRESSOR FIXED	1	1		
*7	S 7 0 E 5 7 4 0 0	COMPRESSOR INV	1	1		
*8	S 7 0 E 0 6 4 1 3	CHARGE PLUG (STRAIGHT)	3	3		
*9	S 7 0 E 0 7 4 1 3	CHARGE PLUG (L-BENDING)	1	1		
*10	S 7 0 A 0 1 4 0 1	LINEAR EXPANSION VALVE (INV)	2	2	LEV A/B	UKV-SE19D018
*11	S 7 0 A 0 2 4 0 1	LINEAR EXPANSION VALVE (Fixed)	1	1	LEV C	UKV-SE13D017
*12	S 7 0 E 1 1 4 0 3	REVERSING VALVE	1	1		STF-H0239
*13	S 7 0 E 1 2 2 0 8	HIGH PRESSURE SWITCH	2	2	63H, 63L	ACB-1UB101
*14	S 7 0 E 0 3 2 0 8	HIGH PRESSURE SENSOR	1	1	63HS	NSK-BH035D-A94
15	S 7 0 E 7 0 4 0 2	LINEAR EXPANSION VALVE COIL	1	1	LEV-A	KVC-1A028
16	S 7 0 E 7 1 4 0 2	LINEAR EXPANSION VALVE COIL	1	1	LEV-B	KVC-1A029
17	S 7 0 E 7 2 4 0 2	LINEAR EXPANSION VALVE COIL	1	1	LEV-C	KVC-1A030
18	S 7 0 E 7 8 3 2 4	SOLENOID COIL <4WAY COIL>	1	1		STF-H01AJ1709A0 with wiring of H.P. SWITCH
19	S 7 0 E 8 6 2 0 2	THERMISTOR (SUCTION FIXED)	1	1	TH35	PXM-M41E-M6-1R
20	S 7 0 E 8 6 2 0 2	THERMISTOR (LIQUID FIXED)	1	1	TH32	PXM-M41E-M6-1R
21	S 7 0 E 8 6 2 0 2	THERMISTOR (COMP. SURFACE)	1	1	TH33	PXM-M41E-M6-1R
22	S 7 0 E 8 6 2 0 2	THERMISTOR-H (LIQUID)	1	1	TH3	PXM-M41E-M6-1R
23	S 7 0 E 8 6 2 0 2	THERMISTOR (DISCHARGE)	1	1	TH4	PXM-M41E-M6-1R
24	S 7 0 E 8 6 2 0 2	THERMISTOR (PLATE HEX LIQUID)	1	1	TH34	PXM-M41E-M6-1R
25	S 7 0 E 8 6 2 0 2	THERMISTOR-W (2-PHASE PIPE)	1	1	TH6	PXM-M41E-M6-1R
26	S 7 0 E 8 6 2 0 2	THERMISTOR-W (AMBIENT)	1	1	TH7	PXM-M41E-M6-1R
27	S 7 0 E 1 3 3 1 6	ELECT BOX ASSY	1	1		Includes SEALING PARTS
28	S 7 0 E 3 0 5 0 2	SEALING PARTS OF ELECT BOX	1	1		
29	S 7 0 E 1 1 7 1 6	TERMINAL BLOCK	1	1		
30	S 7 0 K 8 6 2 5 9	REACTOR	1	1		
31	S 7 0 E 6 2 3 1 5	CONTROLLER CIRCUIT BOARD	1	1		
32	S 7 0 E 5 4 3 1 3	POWER CIRCUIT BOARD	1	1		
33	S 7 0 9 6 8 2 8 2	COMPRESSOR PROTECTOR	1	1		
34	S 7 0 5 4 7 7 0 8	CONTACTOR	1	1		
35	S 7 0 E 5 2 7 2 3	RUN CAPACITOR	1	1		
36	S 7 0 6 2 0 2 3 9	FUSE	1	1		
37	S 7 0 E 8 8 2 0 2	THERMISTOR (HEAT SINK)	1	1	TH8	LTEP-45-M4-*
38	S 7 0 E 5 1 4 0 4	PRESSURE RELIEF VALVE ASSY	2	2		
39	S 7 0 C 9 9 4 6 0	GASKET 9.52	2	2		
40	S 7 0 E 1 0 1 0 1	AIRSEPARATOR ASSY	1	1		
(41)	S 7 0 C 2 3 4 6 0	O-RING	12	12		
42	S 7 0 C 1 0 4 6 5	FASTENER	12	12		For quick connection
(43)	S 7 0 C 0 1 9 0 0	GREASE	1	1		For quick connection
44	S 7 0 E 0 6 7 0 6	THERMAL PROTECTOR	1	1		
45	S 7 0 0 1 0 1 0 2	INLET WATER PIPE	1	1		
(46)	S 7 0 0 2 0 1 0 2	OUTLET WATER PIPE	1	1		

Do not reuse the gaskets (No.39) or O-rings (No.41) that were once removed, but be sure to replace with a new one.  
Apply grease appropriately on the O-ring for the quick connection in the unit.  
When you detach DAMPER during work, do not forget to reattach the DAMPER.  
The thermistors No. 19 to No. 26 are supplied as a set.

**STRUCTURAL PARTS**  
**PUZ-WZ50VAA.UK**  
**PUZ-WZ50VAA-BS.UK**

**PUZ-WZ60VAA.UK**  
**PUZ-WZ60VAA-BS.UK**

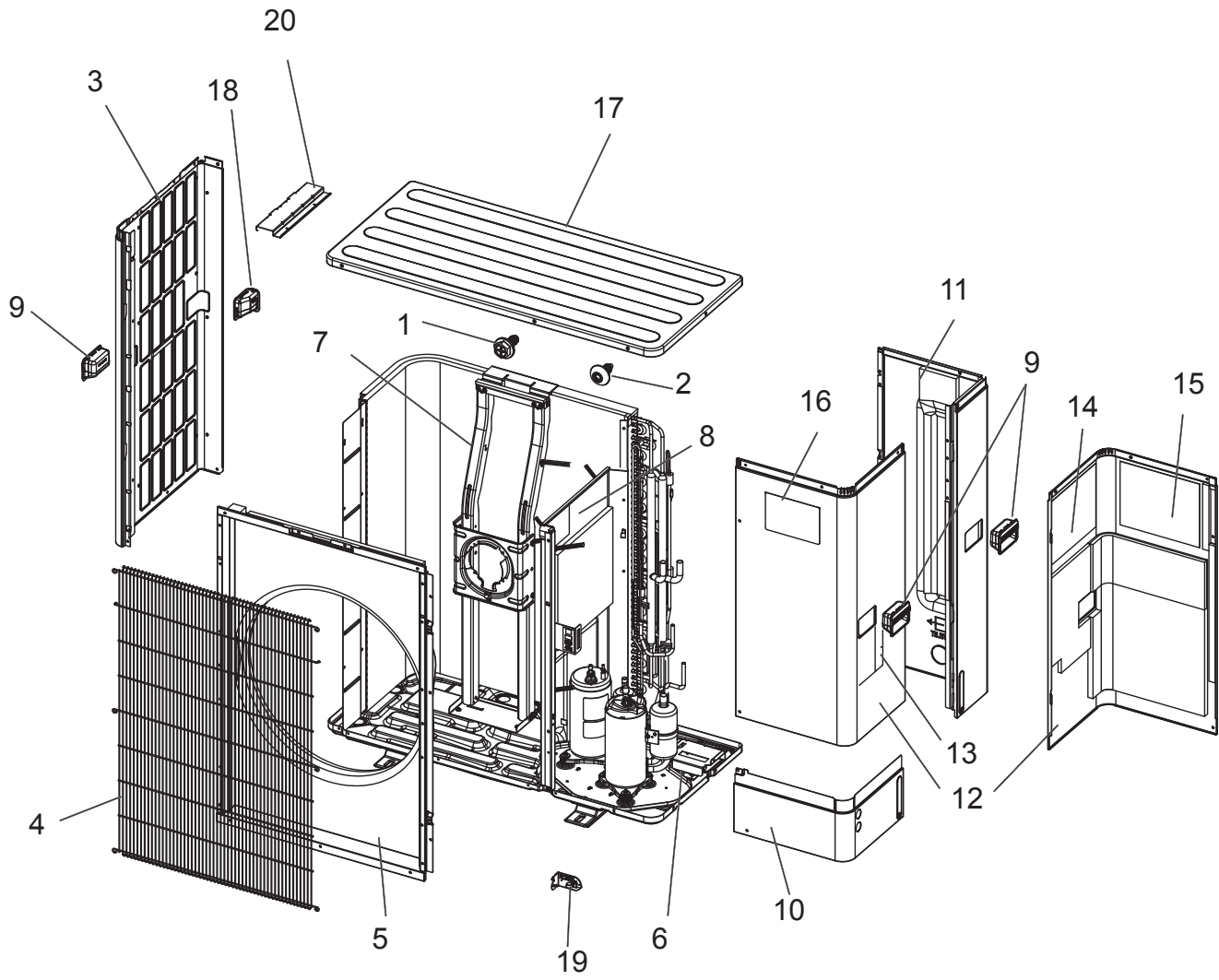


1. The part quantity below indicates the required number of pieces per unit.
2. The circled No. indicates that the part is not shown in the figure.

No.	Parts No.	Parts Name	PUZ-WZ50VAA.UK	PUZ-WZ60VAA.UK	PUZ-WZ50VAA-BS.UK	PUZ-WZ60VAA-BS.UK	Wiring Diagram Symbol	Remarks [Drawing No.]
1	—	F.ST SCREW	63	63	63	63		(5×12) [DG12F536H12-JP]
2	—	TORX SCREW	3	3	3	3		(5×12) [DG12T619H12-JP]
3	S70 E74 662	SIDE PANEL (L)	1	1				
3	S70 E75 662	SIDE PANEL (L)			1	1		
4	S70 E04 675	WIRE GRILLE AA	1	1	1	1		
5	S70 E80 668	FRONT PANEL	1	1				
5	S70 E81 668	FRONT PANEL			1	1		
6	S70 E49 686	BASE ASSY	1	1				
6	S70 E50 686	BASE ASSY			1	1		
7	S70 E68 130	MOTOR SUPPORT	1	1				
7	S70 E69 130	MOTOR SUPPORT			1	1		
8	—	SEPARATOR	1	1				[JQ00J026G01]
8	—	SEPARATOR			1	1		[JQ00J026G02]
9	S70 E40 655	HANDLE (FRONT)	3	3	3	3		
10	S70 E75 658	COVER PANEL (FRONT)	1	1				
10	S70 E76 658	COVER PANEL (FRONT)			1	1		
11	S70 E72 662	SIDE PANEL (R)	1	1				
11	S70 E73 662	SIDE PANEL (R)			1	1		
12	S70 E93 661	SERVICE PANEL	1	1				
12	S70 E94 661	SERVICE PANEL			1	1		
13	S70 N12 699	BRAND LABEL (ECODAN)	1	1	1	1		
14	S70 N10 699	NOTICE R290	1	1	1	1		
15	S70 E11 699	WIRING DIAGRAM WZ50	1	1	1	1		
16	S70 E81 641	TOP PANEL	1	1				
16	S70 E82 641	TOP PANEL			1	1		
17	S70 E50 655	HANDLE (REAR)	1	1	1	1		
18	—	CABLE BRACKET ASSY	1	1	1	1		[JQ00C361G01]
19	—	PANEL HOOK ASSY	1	1	1	1		[SQ00L812G01]



**STRUCTURAL PARTS**  
**PUZ-WZ80VAA.UK**  
**PUZ-WZ80VAA-BS.UK**





1. The part quantity below indicates the required number of pieces per unit.
2. The circled No. indicates that the part is not shown in the figure.

No.	Parts No.	Parts Name	PUZ-WZ80VAA.UK	PUZ-WZ80VAA-BS.UK	Wiring Diagram Symbol	Remarks [Drawing No.]
1	—	F.ST SCREW	63	63		(5×12) [DG12F536H12-JP]
2	—	TORX SCREW	3	3		(5×12) [DG12T619H12-JP]
3	S70 E74 662	SIDE PANEL (L)	1			
3	S70 E75 662	SIDE PANEL (L)		1		
4	S70 E04 675	WIRE GRILLE AA	1	1		
5	S70 E80 668	FRONT PANEL	1			
5	S70 E81 668	FRONT PANEL		1		
6	S70 E55 686	BASE ASSY	1			
6	S70 E56 686	BASE ASSY		1		
7	S70 E72 130	MOTOR SUPPORT	1			
7	S70 E73 130	MOTOR SUPPORT		1		
8	—	SEPARATOR	1			[JQ00J026G03]
8	—	SEPARATOR		1		[JQ00J026G04]
9	S70 E40 655	HANDLE (FRONT)	3	3		
10	S70 E75 658	COVER PANEL (FRONT)	1			
10	S70 E76 658	COVER PANEL (FRONT)		1		
11	S70 E72 662	SIDE PANEL (R)	1			
11	S70 E73 662	SIDE PANEL (R)		1		
12	S70 E93 661	SERVICE PANEL	1			
12	S70 E94 661	SERVICE PANEL		1		
13	S70 N10 699	NOTICE R290	1	1		
14	S70 N11 699	NOTICE (CHARGE PLUG)	1	1		
15	S70 E12 699	WIRING DIAGRAM WZ80	1	1		
16	S70 N12 699	BRAND LABEL (ECODAN)	1	1		
17	S70 E81 641	TOP PANEL	1			
17	S70 E82 641	TOP PANEL		1		
18	S70 E50 655	HANDLE (REAR)	1	1		
19	—	CABLE BRACKET ASSY	1	1		[JQ00C361G01]
20	—	PANEL HOOK ASSY	1	1		[SQ00L812G01]

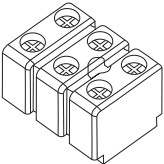
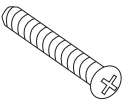
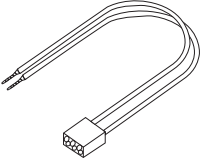
# 2

# OPTIONAL PARTS

## CONNECTOR FOR DRAIN HOSE SIGNAL OUTPUT

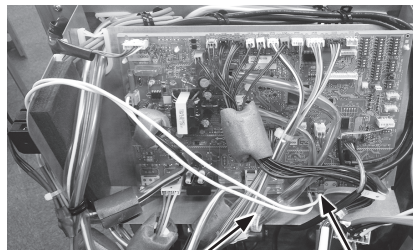
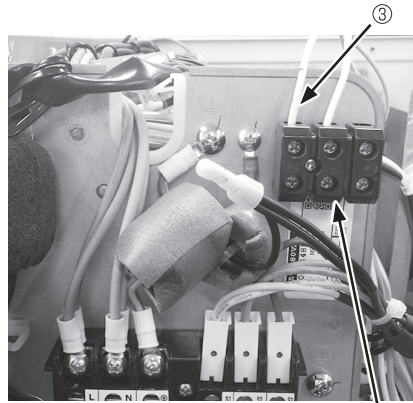
Parts No.	MAC-063RA-E
-----------	-------------

### Contents

① Terminal block	×1
	
② Screw	×1
	
③ Lead wire with connector	×1
	

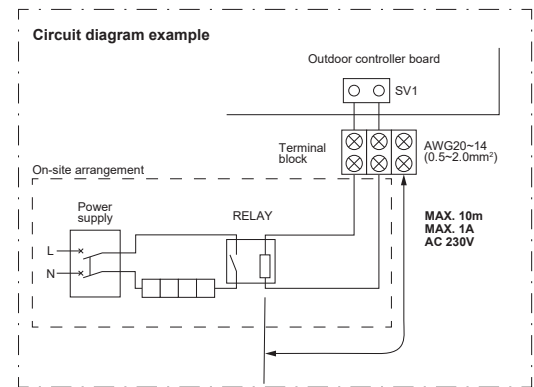
### Installation

#### ● Single Phase model



1. Attach the terminal block ①, with the screw ②.
2. Connect the lead wire ③ connector side to SV1 port on the outdoor controller board.
3. Connect the lead wire ③ to the terminal block ①.
4. Wire local cables for a drain hose heater RELAY to the terminal block ①.

- Drain hose heater RELAY connection only
- MAX current 1A



## AIR DISCHARGE GUIDE

Parts No.	PAC-SH96SG-E
-----------	--------------

## AIR PROTECTION GUIDE

Parts No.	PAC-SH95AG-E
-----------	--------------

## ATTACHMENT (AIR DISCHARGE GUIDE/AIR PROTECTION GUIDE)

Parts No.	PAC-SJ82AT-E
-----------	--------------

## DRAIN SOCKET

Parts No.	PAC-SG61DS-E
-----------	--------------

## CENTRALIZED DRAIN PAN

Parts No.	PAC-SJ83DP-E
-----------	--------------

# **mitsubishi electric corporation**

HEAD OFFICE : TOKYO BUILDING, 2-7-3, MARUNOUCHI, CHIYODA-KU, TOKYO 100-8310, JAPAN

---