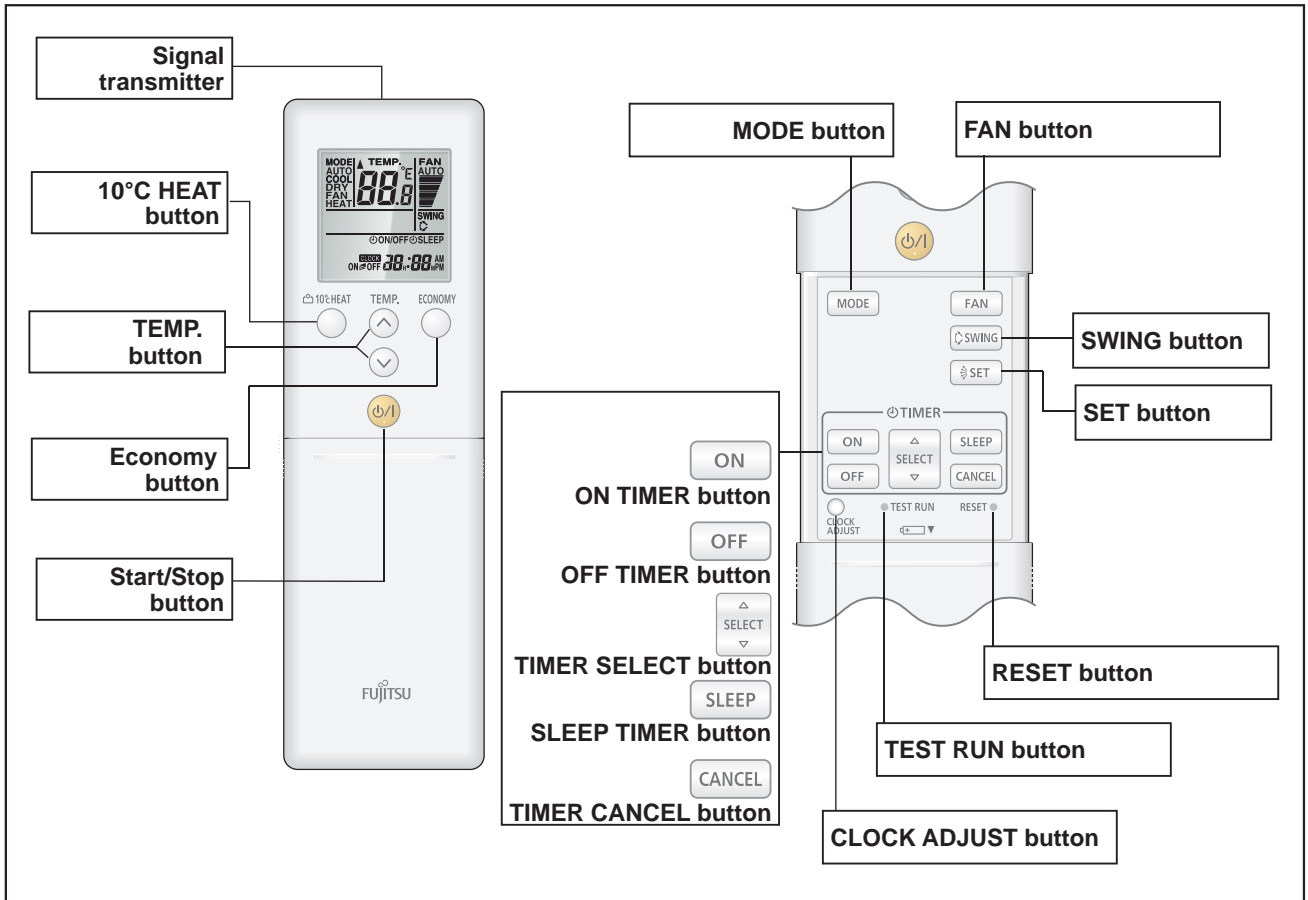
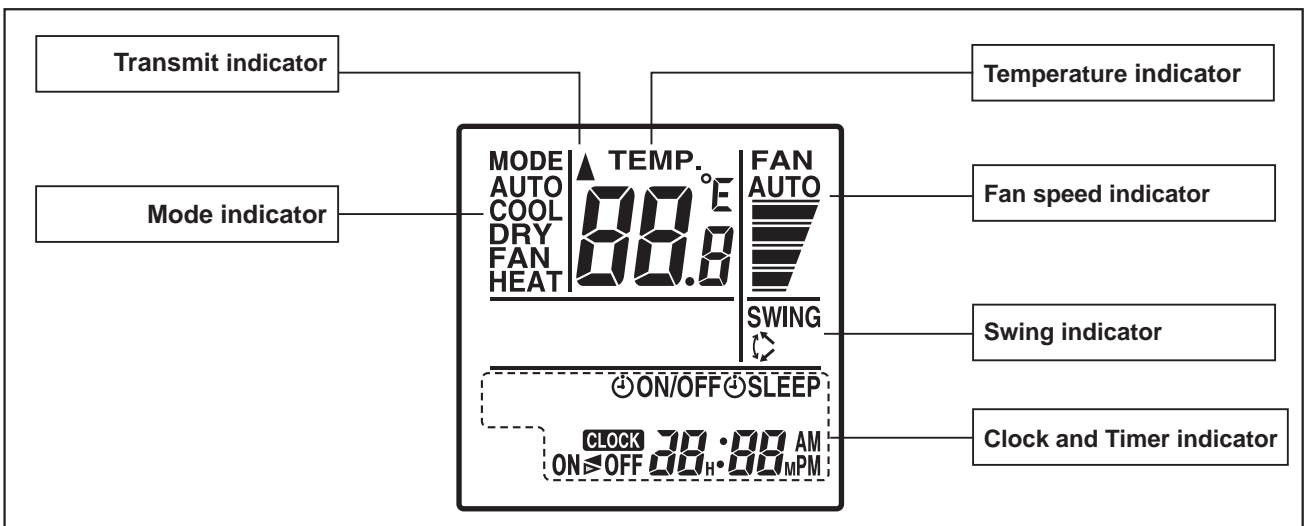


13-4. IR receiver kit with Wireless remote controller (UTY-LBTYM: Optional part)

Overview



NOTE: Functions may differ by type of the indoor unit. For details, refer to the operation manual.
Display panel

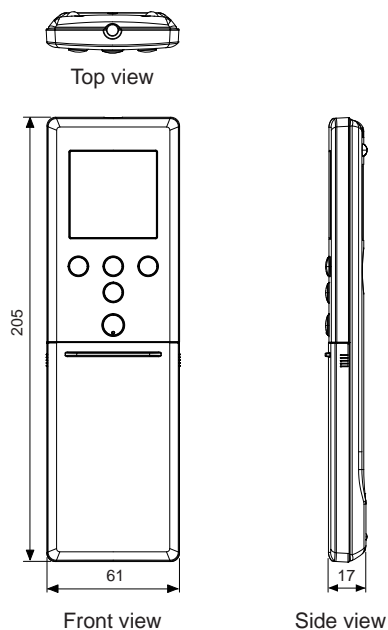


To facilitate explanation, the accompanying illustration has been drawn to show all possible indicators; in actual operation, however, the display will only show those indicators appropriate to the current operation.

■ Specifications

● Controller

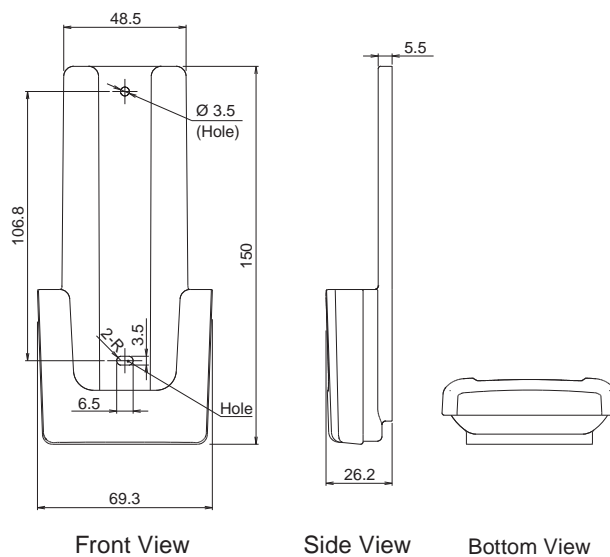
Unit: mm



Size (H × W × D)	mm	205 × 61 × 17
Weight	g	122 (without batteries)

● Holder

Unit: mm



Size (H × W × D)	mm	150 × 69.3 × 26.2
Weight	g	27