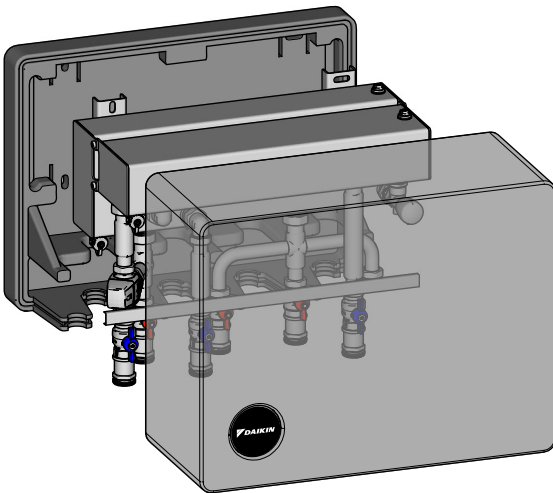




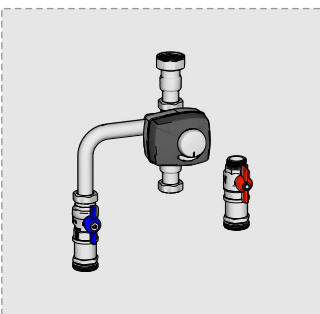
## Hybrid Add-on Kit EKHKCOA (+EKHKCDA)



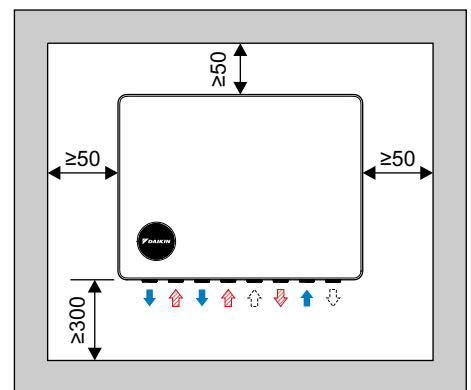
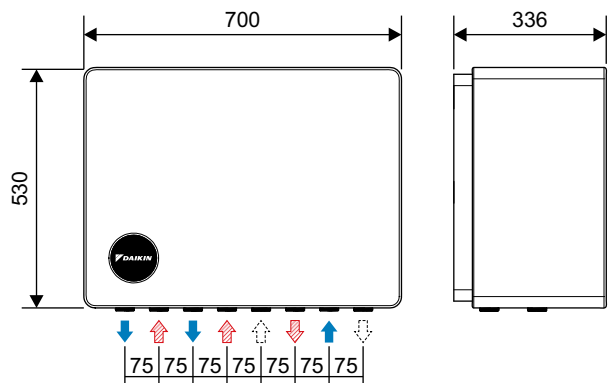
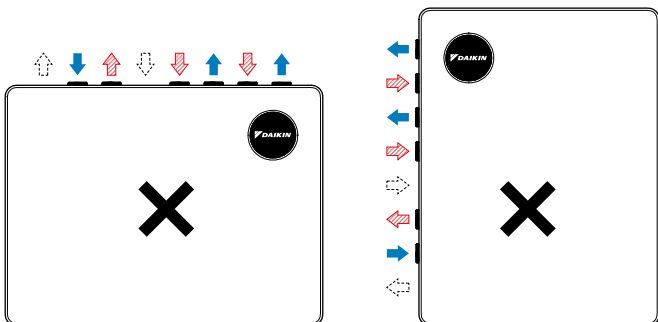
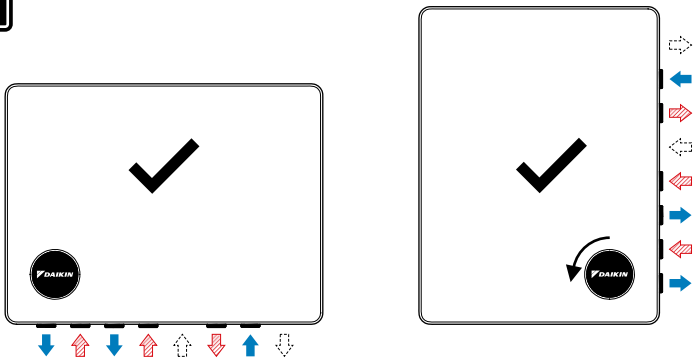
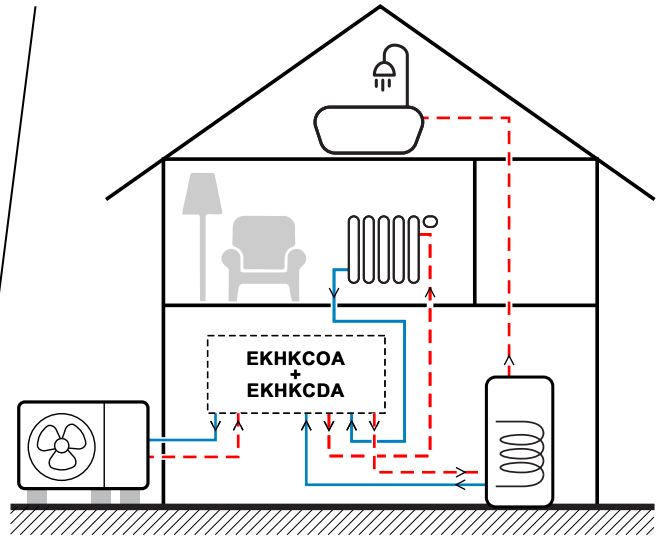
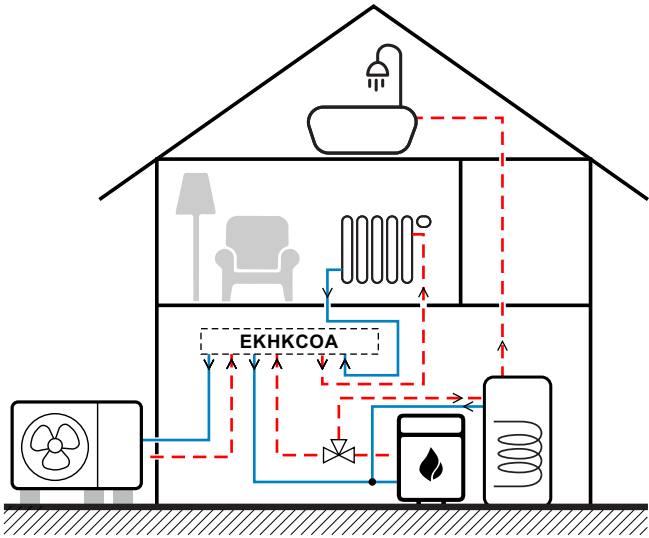
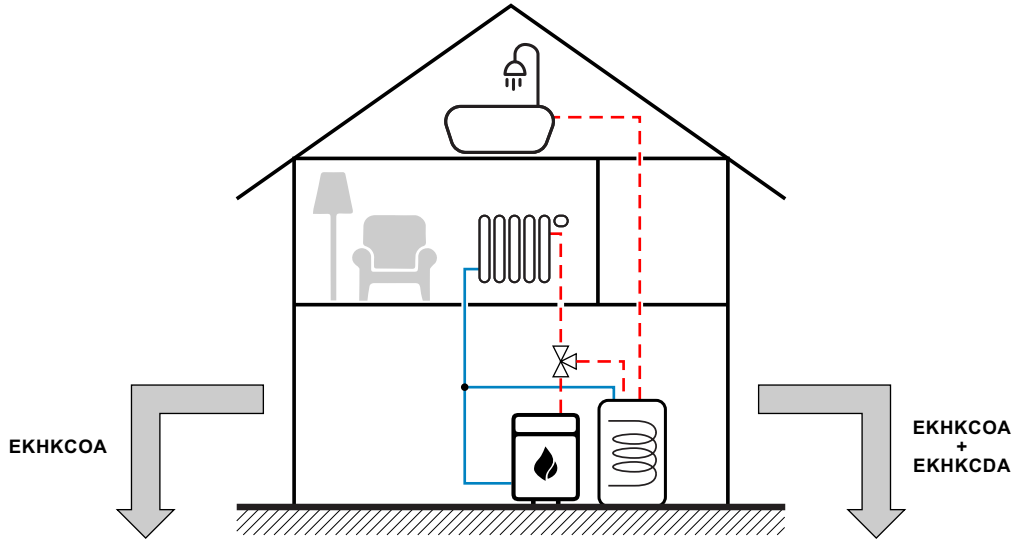
### EKHKCOA



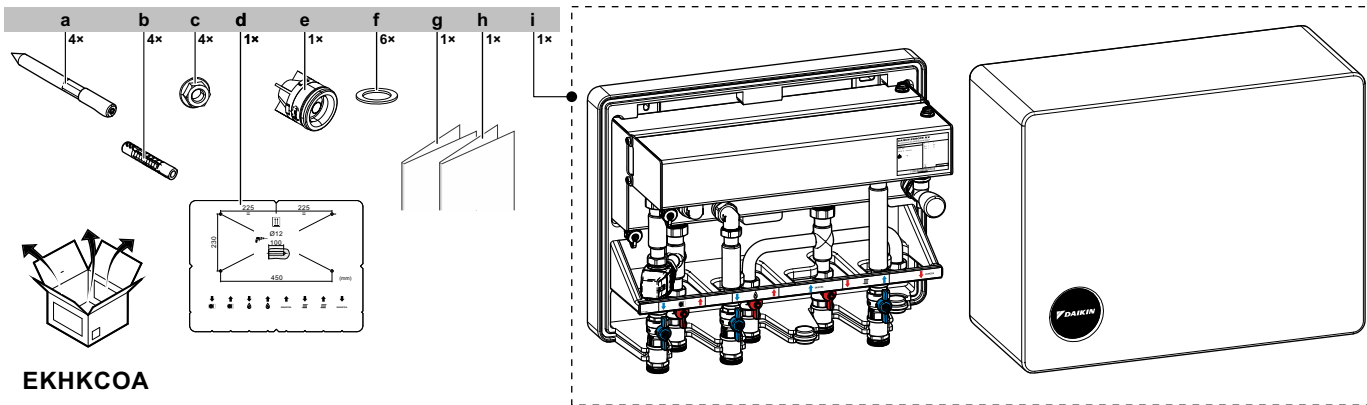
### EKHKCDA



OPTIONAL

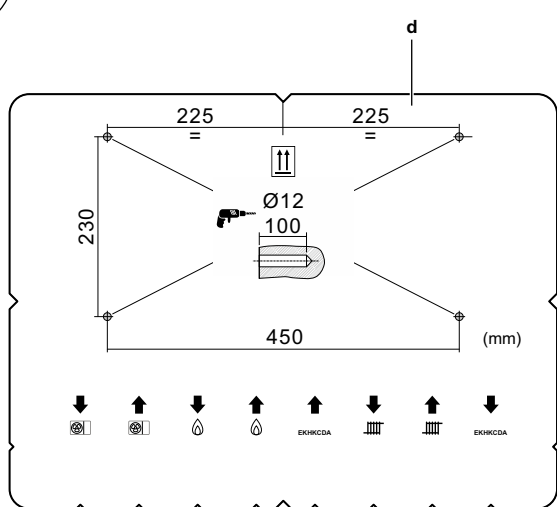
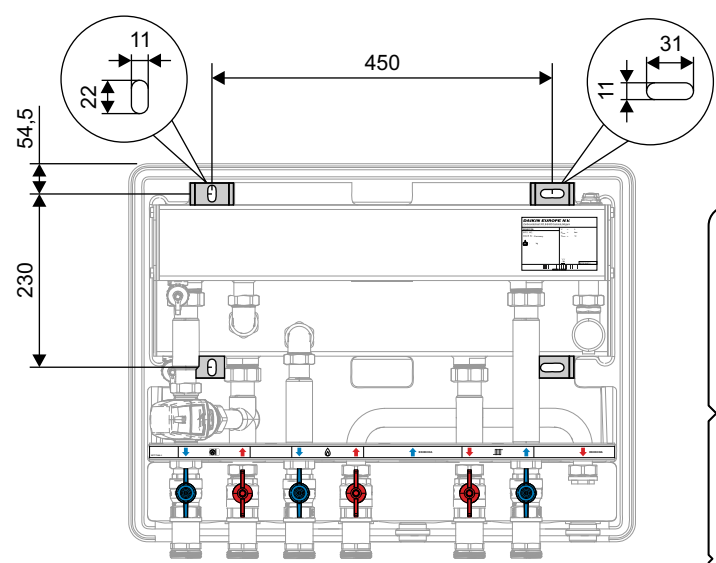


[mm]

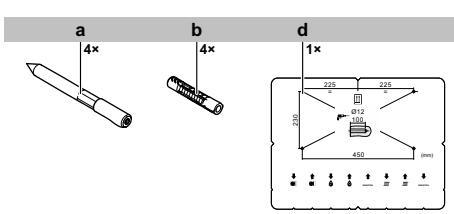



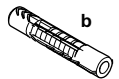




EKHKCOA

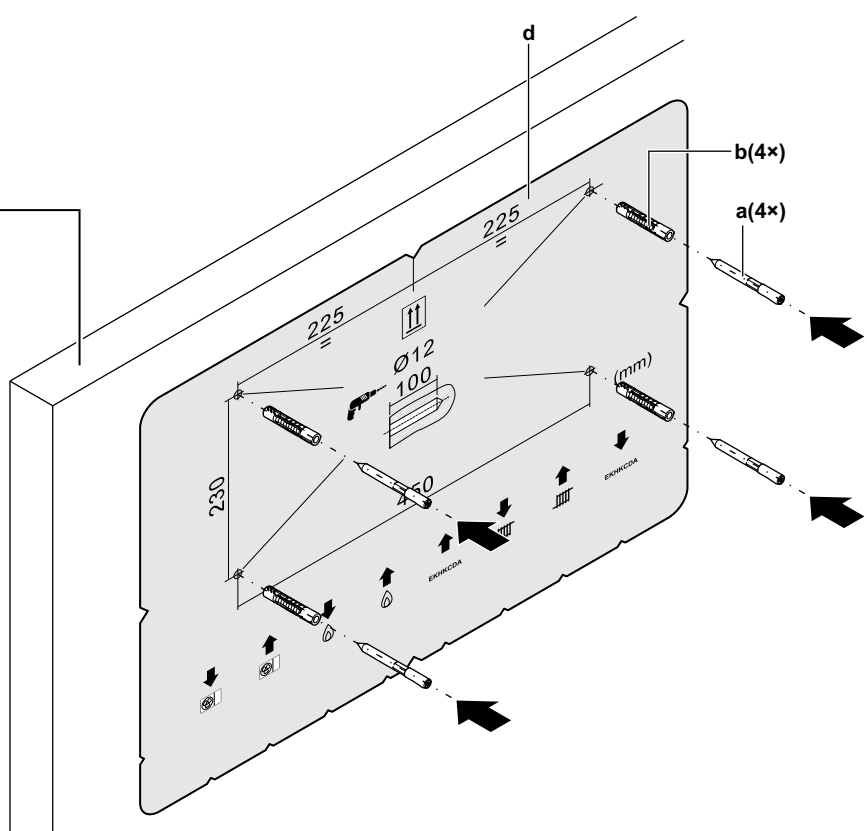
**1**



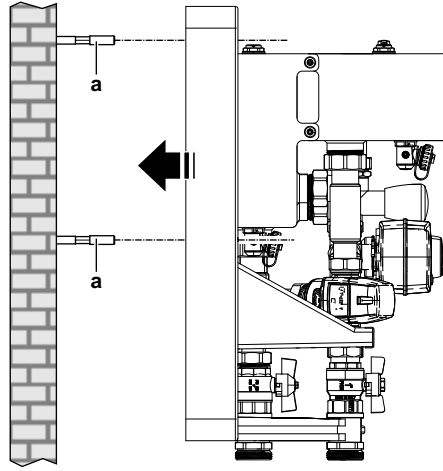
[mm]



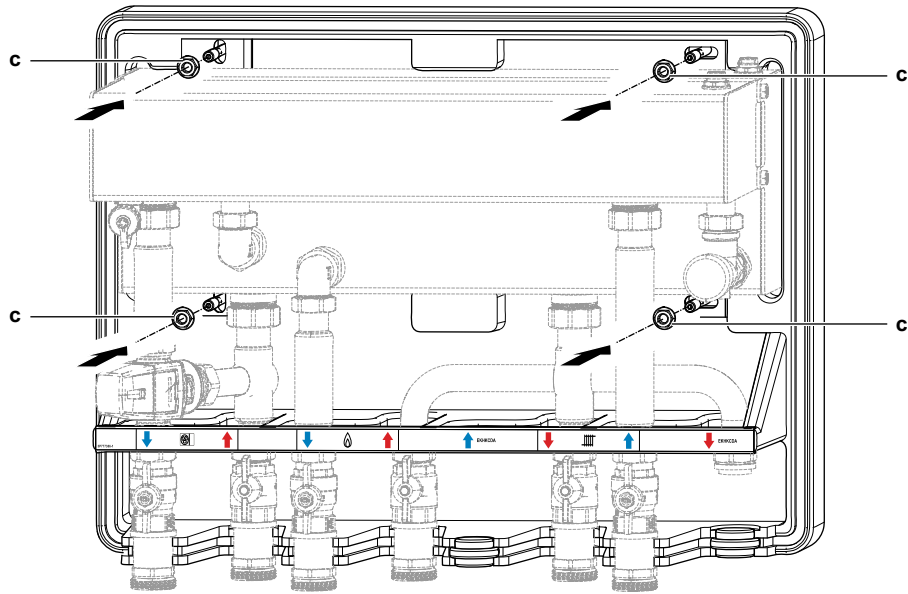
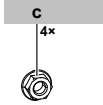
	
	✓
	✓
	✗
	✗



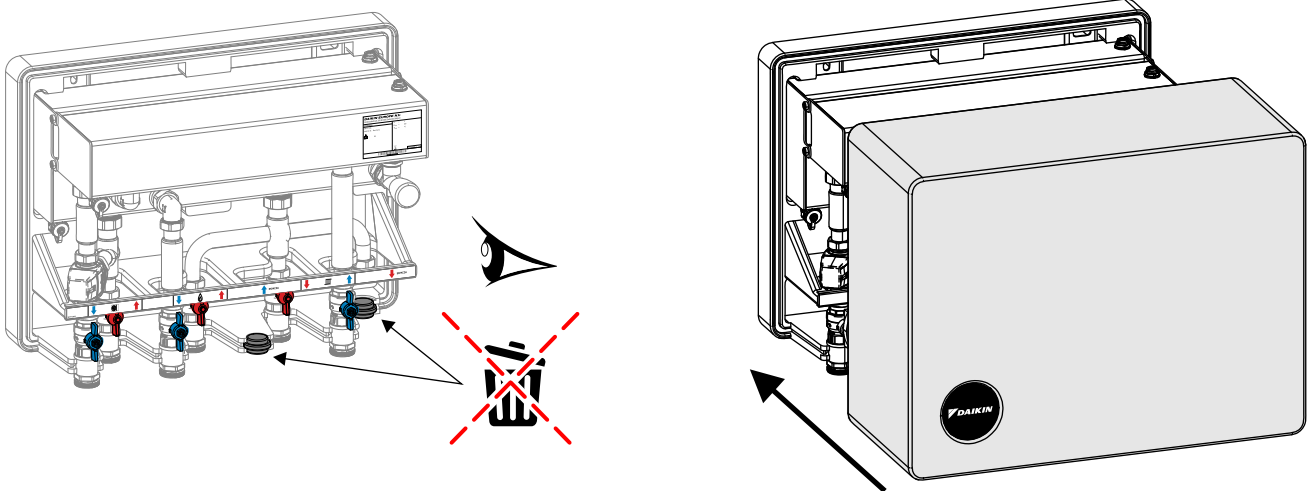
2



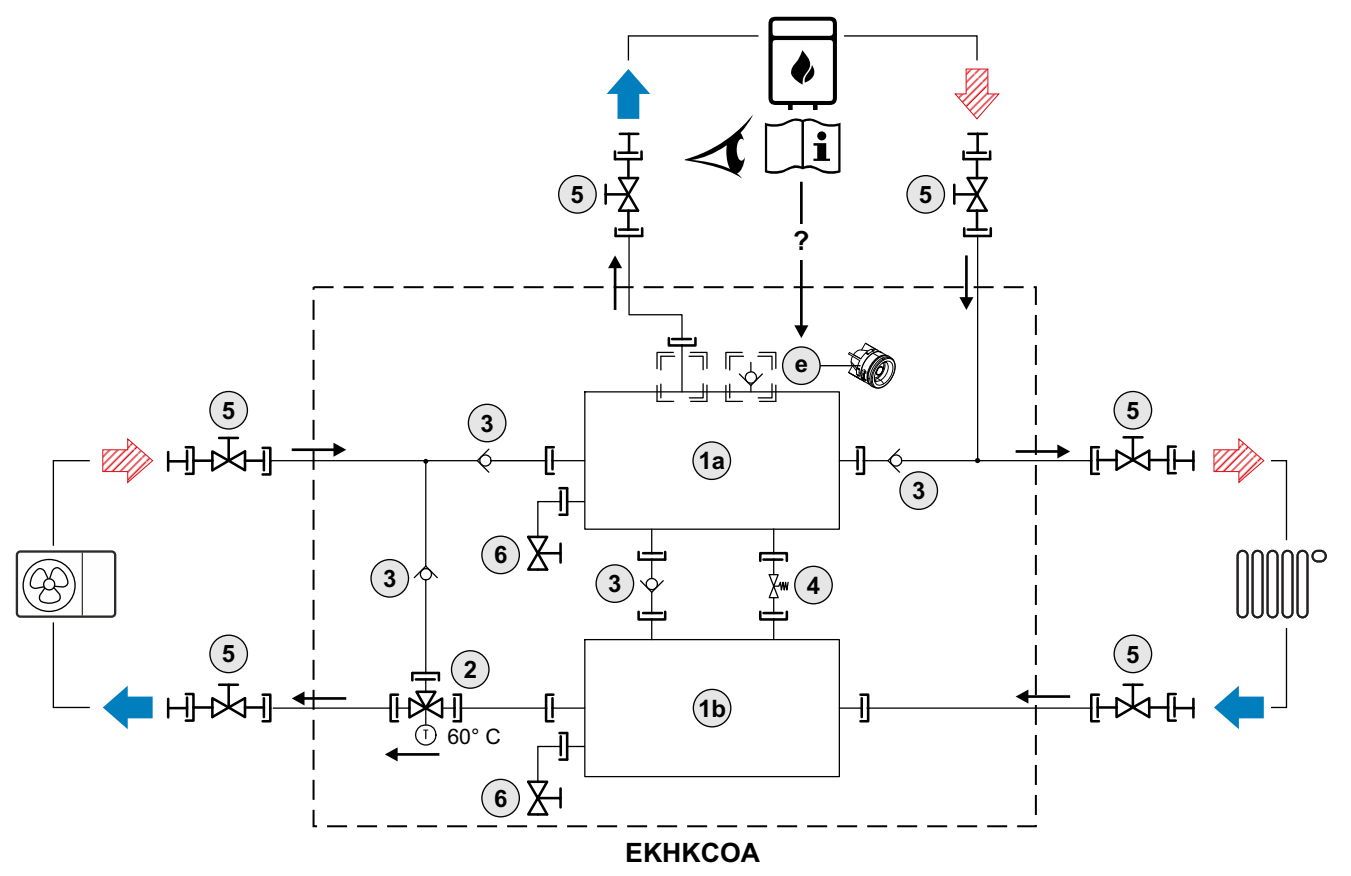
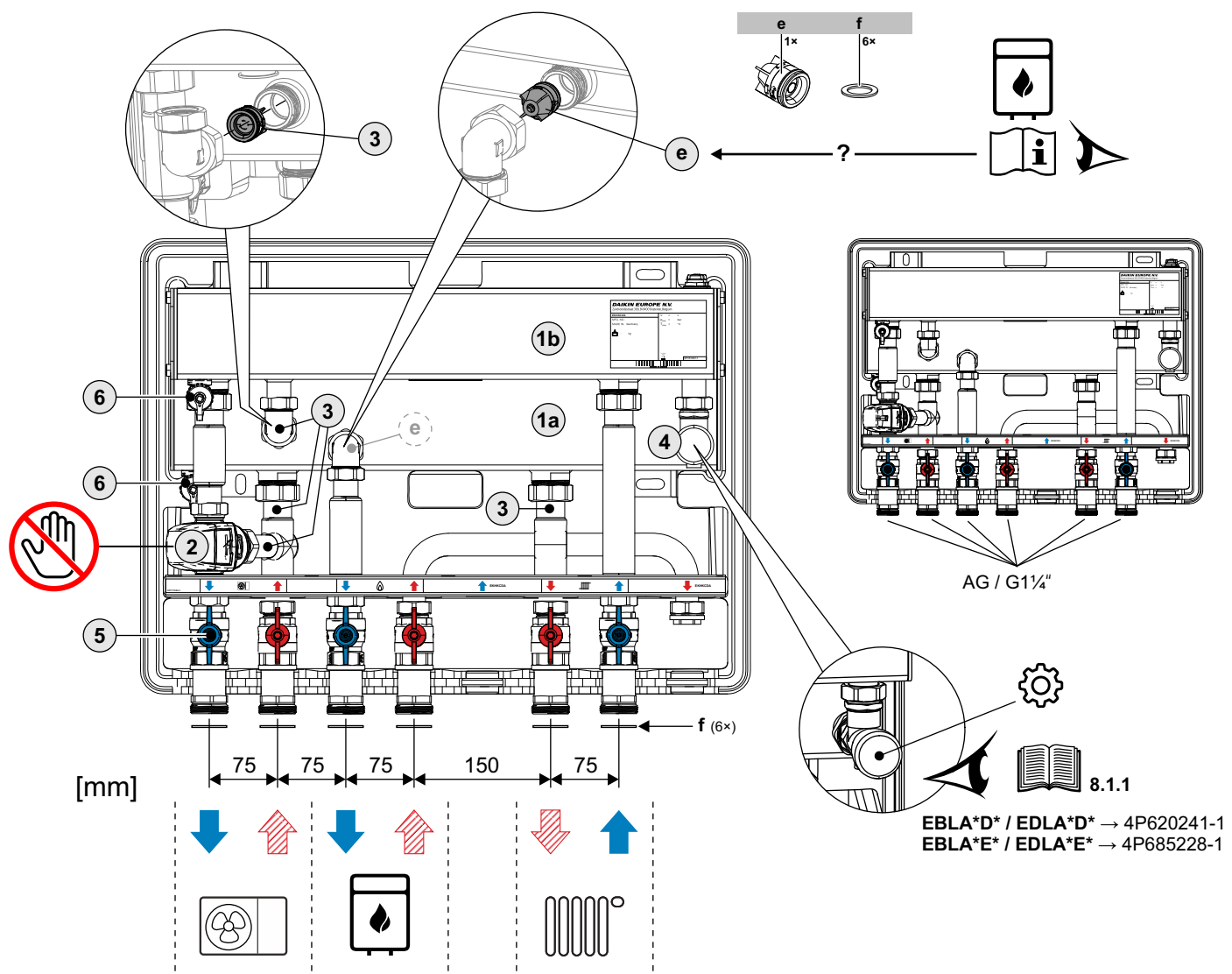
3

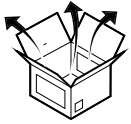


4

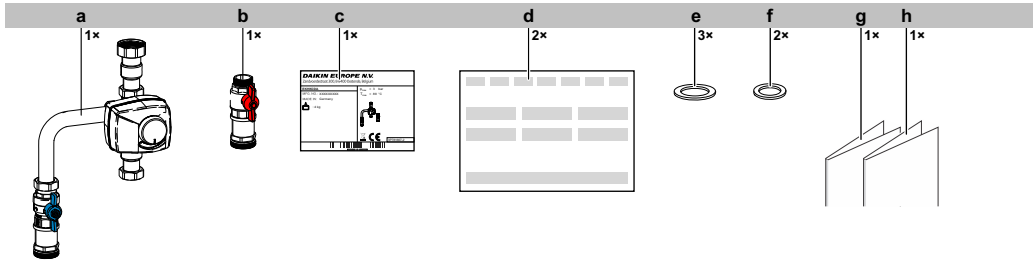


EBLA\*D\* / EDLA\*D\* → 4P620241-1  
EBLA\*E\* / EDLA\*E\* → 4P685228-1





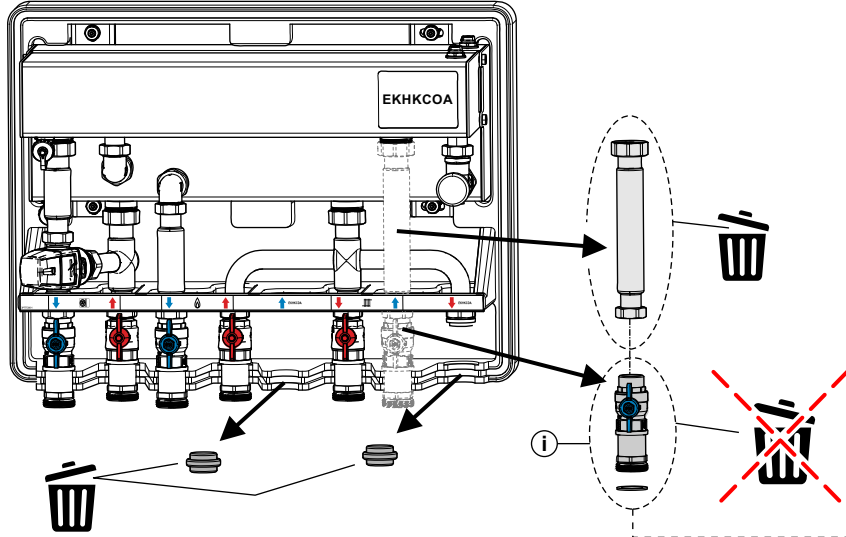


EKHKCDA

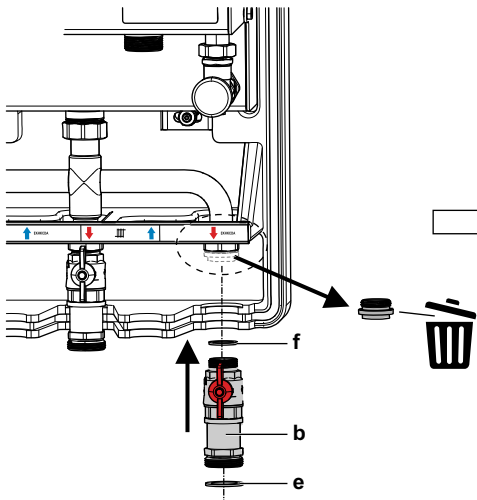


1

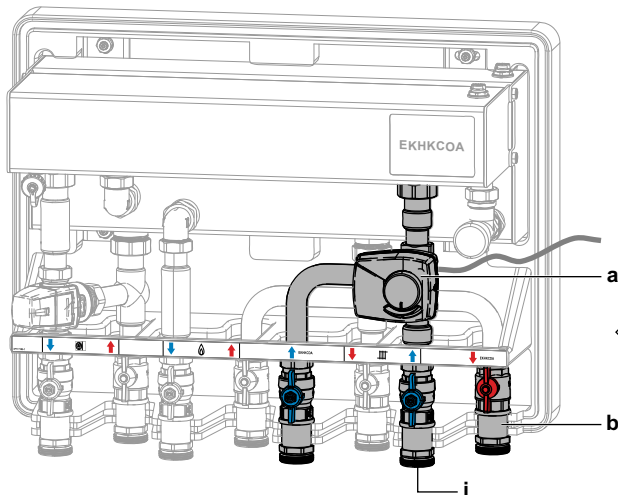
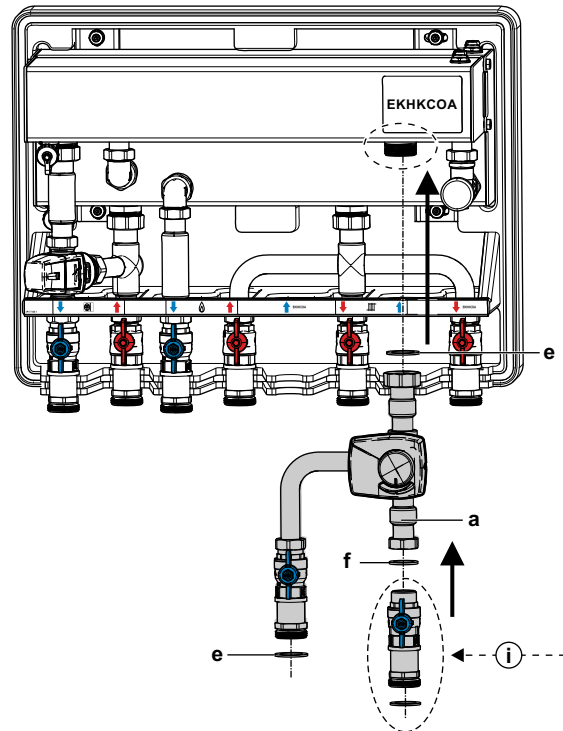
	
1"	40 N·m
1 1/4"	40 N·m
3/4"	30 N·m



2

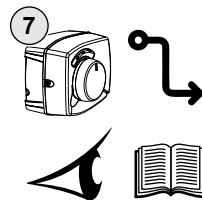
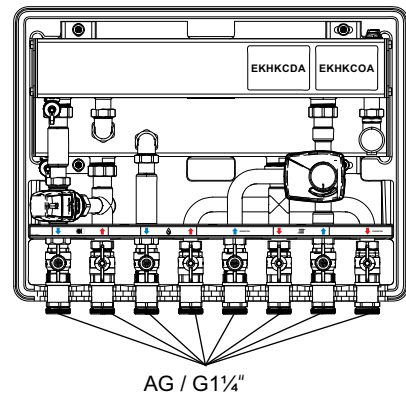
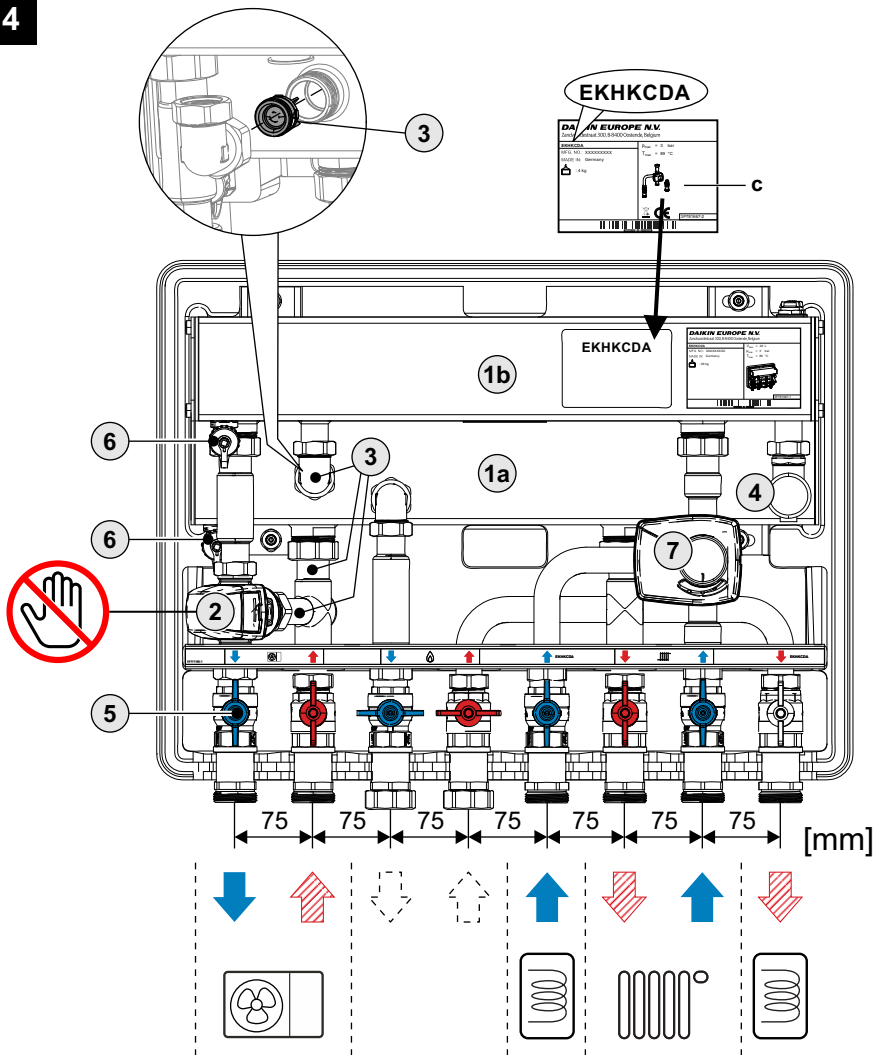


3

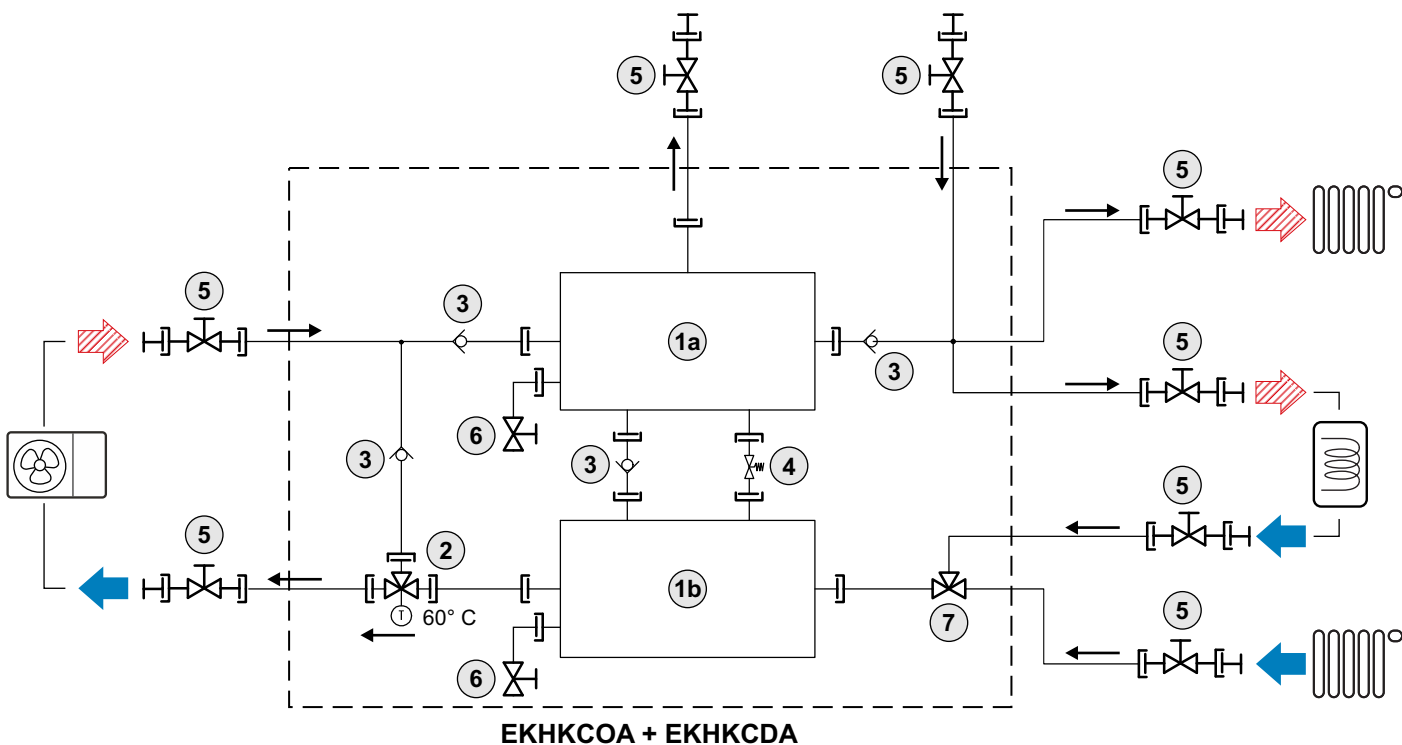




4



ADDENDUM BOOK BML → 4P690782-1  
 ADDENDUM BOOK TBM → 4P620247-1



EKHKCOA + EKHKDA

