



Service Manual

Models: GDN12AJ-K4EBC1A
GDN12AJ-K4EBC1B
GDN16AJ-K4EBC1A
(Refrigerant R134a)

Table of Contents

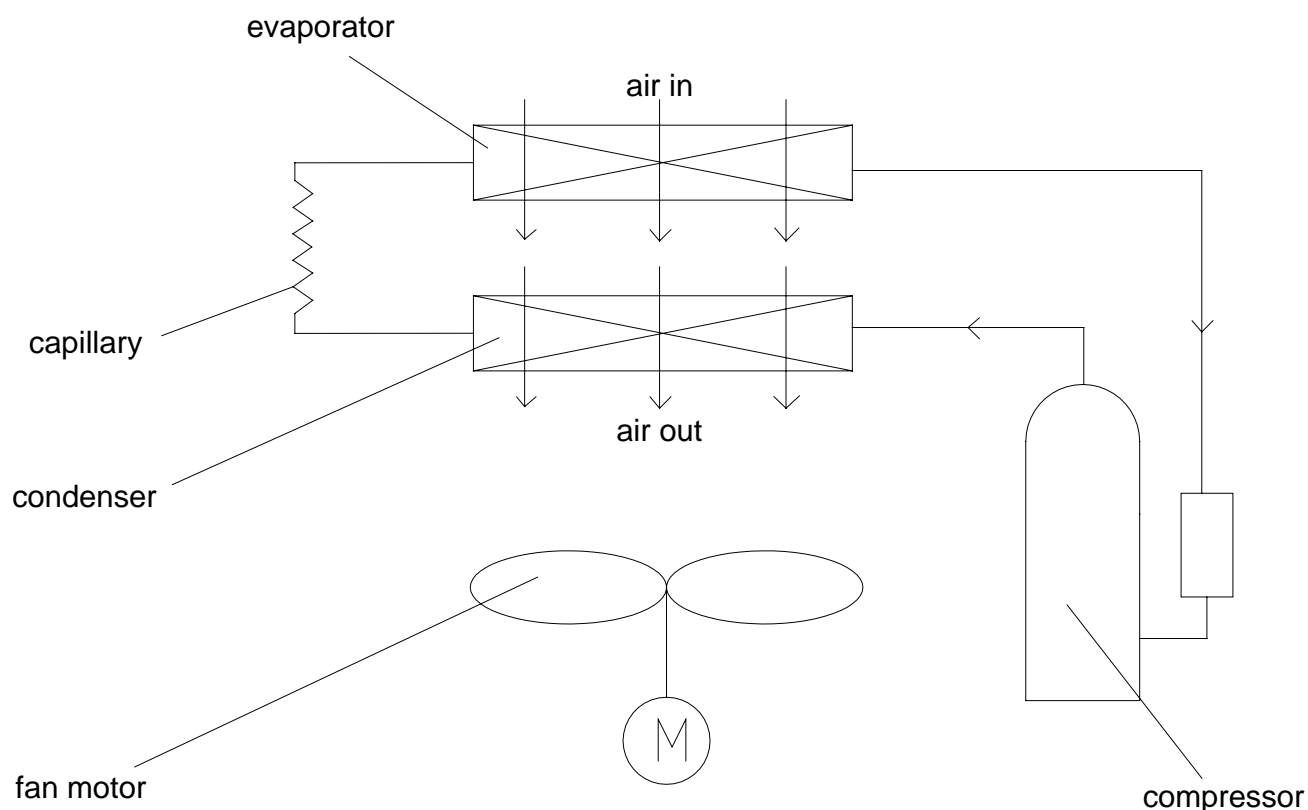
| | |
|---|----|
| Part I : Technical Information | 1 |
| 1. Summary | 1 |
| 2. Specifications | 2 |
| 3. Outline Dimension Diagram | 3 |
| 4. Refrigerant System Diagram | 4 |
| 5. Electrical Part | 5 |
| 5.1 Wiring Diagram | 5 |
| 5.2 PCB Printed Diagram..... | 6 |
| 6. Function and Control | 8 |
| 6.1 Control Panel Instruction..... | 8 |
| 6.2 Introduction of Basic Mode Function..... | 9 |
| | |
| Part II : Maintenance | 11 |
| 7. Notes Maintenance | 11 |
| 8. Maintenance | 12 |
| 8.1 Error Code..... | 12 |
| 8.2 Malfunction Detection Flowchart..... | 13 |
| 8.3 Maintenance Method for Common Malfunction | 14 |
| 9. Exploded View and Parts List | 16 |
| 10. Removal Procedure | 20 |
| | |
| Appendix: | 25 |
| Appendix 1: Reference Sheet of Celsius and Fahrenheit | 25 |
| Appendix 2: Resistance Table of Temperature Sensor | 26 |
| Appendix 3: Resistance Value Table of Humidity Sensor | 29 |

2.Specifications

| Model | | | 1.GDN12AJ-K4EBC1A 2.GDN12AJ-K4EBC1B | GDN16AJ-K4EBC1A | |
|---|-----------------------------------|----|---|---|---------|
| Product Code | | | 1.CK051012901/CK051012902 2.CK051019102 | CK051013001 CK051013003 | |
| Power Supply | Rated Voltage | V~ | 220-240 | 220-240 | |
| | Rated Frequency | Hz | 50 | 50 | |
| | Phases | | 1 | 1 | |
| Rated Dehumidifying Volume | L/h | | 0.23 | 0.4 | |
| Power Input | W | | 230 | 295 | |
| Power Current | A | | 1.3 | 1.3 | |
| Set Humidity Range | % | | 35~80 | 35~80 | |
| Air Flow Volume(H/M/L) | m ³ /h | | 115/-/100 | 115/-/100 | |
| Fan Motor Speed (H/M/L) | r/min | | 1100/-/950 | 1100/-/950 | |
| Output of Fan Motor | W | | 4 | 4 | |
| Fan Motor Capacitor | μF | | 1.5 | 1.5 | |
| Fan Type | | | Centrifugal | Centrifugal | |
| Diameter Length(DXL) | mm | | Φ180X54.5 | Φ180X54.5 | |
| Throttling Method | | | Capillary | Capillary | |
| Fuse | A | | 3.15 | 3.15 | |
| Sound Pressure Level (H/M/L) | dB (A) | | 43/-/41 | 45/-/43 | |
| Sound Power Level ((H/M/L) | dB (A) | | 53/-/51 | 53/-/51 | |
| Climate Type | | | T1 | T1 | |
| Isolation | | | I | I | |
| Moisture Protection | | | IPX0 | IPX0 | |
| Permissible Excessive Operating Pressure for the Discharge Side | MPa | | 3 | 3 | |
| Permissible Excessive Operating Pressure for the Suction Side | MPa | | 1.8 | 1.8 | |
| Dimension (WXHXD) | mm | | 353X496X225 | 353X496X225 | |
| Dimension of Carton Box (LXWXH) | mm | | 393X271X510 | 393X271X510 | |
| Dimension of Package (LXWXH) | mm | | 396X274X525 | 396X274X525 | |
| Application Area | m ² | | 15 | 20 | |
| Net Weight | kg | | 11 | 13.5 | |
| Gross Weight | kg | | 12 | 14.5 | |
| Refrigerant | | | R134a | R134a | |
| Refrigerant Charge | kg | | 0.09 | 0.17 | |
| Bucket Capacity | L | | 3/3.5 | 3/3.5 | |
| Control Type | | | Electronic | Electronic | |
| Evaporator | Form | | Aluminum Fin-copper Tube | Aluminum Fin-copper Tube | |
| | Pipe Diameter | mm | Φ7 | Φ7 | |
| | Row-fin Gap | mm | 1-1.4 | 2-1.6 | |
| | Coil Length (LXDXW) | mm | 210X12.7X152.4 | 210X25.4X152.4 | |
| Condenser | Form | | Aluminum Fin-copper Tube | Aluminum Fin-copper Tube | |
| | Pipe Diameter | mm | Φ5 | Φ7 | |
| | Rows-fin Gap | mm | 2-1.4 | 2-1.4 | |
| | Coil Length (LXDXW) | mm | 210X22.8X152.4 | 210X25.4X152.4 | |
| Compressor | Compressor Manufacturer/Trademark | | Shanghai Hitachi Electrical Appliances Co.,Ltd/HIGHLY | Shanghai Hitachi Electrical Appliances Co.,Ltd/HIGHLY | |
| | Model | | BSA418CV-R1AUN | 39E0G3HR&F^YA | |
| | Type | | Rotary | Rotary | |
| | Power Input | W | | 265 | |
| | Overload Protector | | | URP-191-78 or equivalent | UP3-106 |
| | L.R.A. | A | | 3.4 | 5.5 |
| Working Current | A | | 1.1 | 1.2 | |

The above data is subject to change without notice; please refer to the nameplate of the unit.

4.Refrigerant System Diagram



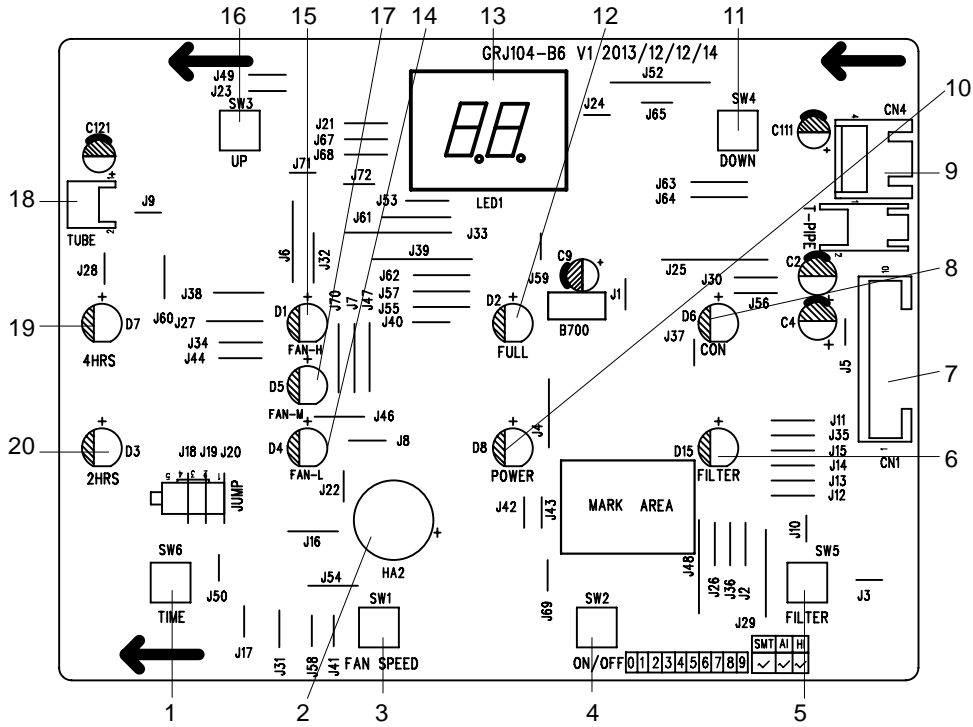
Dehumidifying principle of dehumidifier:

When temperature is decreased to the temperature point of dew, water vapor in humid air will condensate. Dehumidifier is dehumidifying the air by using this principle.

During operation of the system, air will pass through evaporator and condenser in turn and then be discharged due to centrifugal blade. When the air is passing through evaporator, refrigerant will absorb the heat in air to let its temperature decrease to the temperature point of dew, water vapor in air will condensate. Condensate water comes into water tank through water tray, or is discharged directly through drainage hose. The saturated low-temperature air passed through the evaporator will absorb the heat when flowing along the condenser, and then become the dry air. Under normal condition, the nearby air will become warm during operation of dehumidifier.

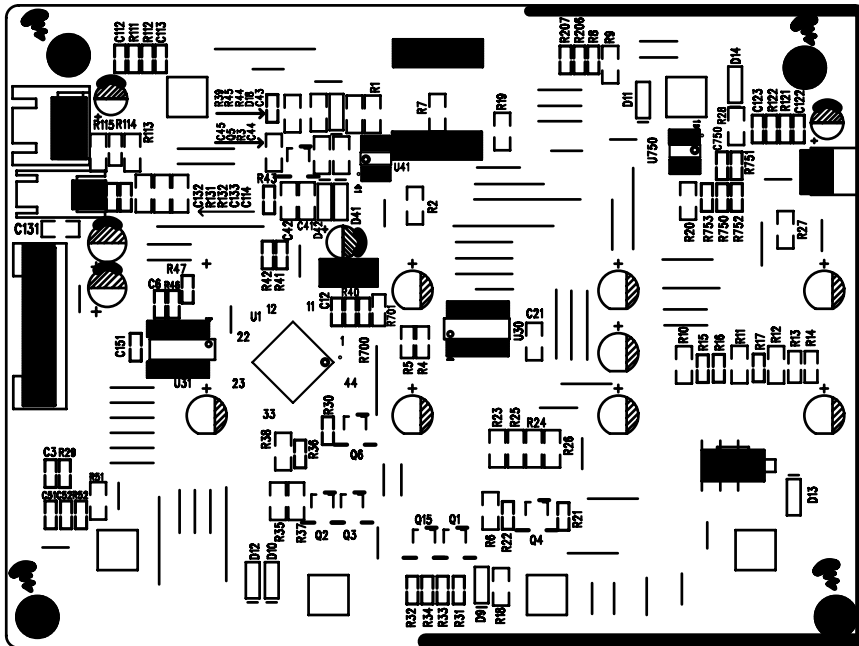
Silk Screen on Display Board

• Top view



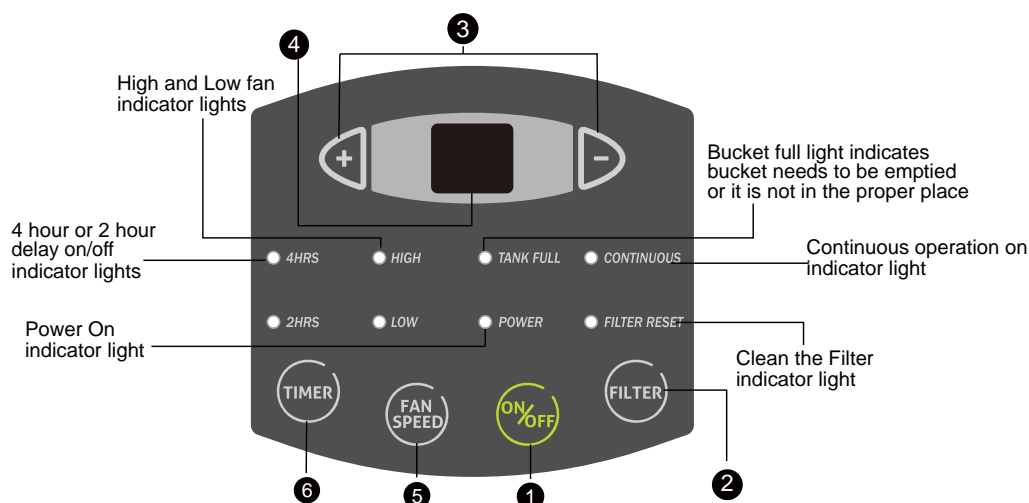
| | | | | | |
|---|--|----|---|----|--|
| 1 | Timer button | 8 | Indicator of dehumidifying continuously | 15 | Indicator of high fan speed |
| 2 | Buzzer | 9 | Connection between humidity sensor (needle stand) | 16 | Button for setting humidity (+) |
| 3 | Fan speed button | 10 | Power indicator | 17 | Indicator of mid fan speed |
| 4 | ON/OFF button | 11 | Button for setting humidity (-) | 18 | Needle stand for tube temperature sensor |
| 5 | Reset button for filter | 12 | Indicator for bucket full protection | 19 | 4H timer indicator |
| 6 | Alarming indicator for cleaning filter | 13 | Dual-8 nixie tube | 20 | 2H timer indicator |
| 7 | Wire connection | 14 | Indicator for low fan speed | | |

• Bottom view



6.Function and Control

6.1 Control Panel Instruction



1.ON/OFF Pad

Press to turn the dehumidifier on or off.

2.FILTER Pad

After 250 hours of operation, the Clean the Filter indicator light will glow to remind you to clean the filter. Remove the filter and clean it. Press to turn off the Clean the Filter light. See the Care and Cleaning section.

3.Humidity Set Control Pads

The humidity level can be set within a range of 80% RH (Relative Humidity) to 35% RH (Relative Humidity) in 5% reduce or at CO for continuous operation.

NOTE: If CO (Continuous) is selected, the dehumidifier will operate continuously at its maximum dehumidification settings if attached to a hose to drain or until the bucket is full.

For drier air, press the - pad and set to a lower percent value (%).

For damper air, press the + pad and set to a higher percent value (%).

When you first use the dehumidifier, set the humidity control to 45% or 50%. Allow at least 24 hours for the dehumidifier to achieve the humidity level. If you still have damper air than desired, set the humidity level to a lower setting or select Continuous for maximum dehumidification.

This unit has 3-min lag due to the device for protecting circuit .In order to prolong the compressor's working life, the compressor will not start until the unit has run for 3 minutes.

4.Display

Shows the set % humidity level while setting, then shows the actual (+/- 5% accuracy) room % humidity level.

5.FAN SPEED Pad

Controls the fan speed. Press to select High or Mid or Low fan speed.

Set the fan control to High for maximum moisture removal. When the humidity has been reduced and quiet operation is preferred, set the fan control to Mid or Low.

6.TIMER Pad

If unit is turned on and running in timer mode for 2hr or 4hr,can turn off the unit. When unit stand by and running in timer mode for 2hr or 4hr can turn on the unit.

Other Features

BUCKET FULL Light

Glow when the bucket is ready to be emptied, or when the bucket is removed or not replaced in the proper position.

Alarm

If the bucket is full or missing for more than three minutes, an alarm will sound for about 10 seconds to remind you to empty and replace the bucket.

Auto Shut Off

The Water Level Control Switch shuts off the dehumidifier when the bucket is full, or when the bucket is removed or not replaced in the proper position.

Auto Defrost

When frost builds up on the evaporator coils, the compressor will cycle off and the fan will continue to run until the frost disappears.

Power Outage

In the case of a power outage or interruption, the unit will automatically re-start, in the settings last used, after the power is restored.

6.2 Introduction of Basic Mode Function

1. Basic functions of system

(1) Drying mode

① Dry conditions and process: under operation status

- a. When set humidity \leq ambient humidity - 5%, compressor and fan will operate.
- b. When set humidity \geq ambient humidity + 5%, compressor stop operation and fan will stop operation after 3min.
- c. When ambient humidity - 5% < set humidity < ambient humidity + 5%, if compressor is operating, and it will operation with condition a; if compressor stops operation, it will operate with condition b.

② Humidity Range

- a. 5% is the first notch. It can be adjusted continuously from CO, 35%-80% (CO stands for dehumidify continuously).
- b. Adjust set humidity by "+" and "-" buttons.

2. Protection Function

(1) Compressor Protection

After energization, under any situation and after compressor stops, it will restart 3min delay at least.

Under operation state except there's malfunction of temperature sensor, when turn off unit by on/off button, water-blow protection, or after compress is starts up, the compressor will stop operation after it operates for 3min at least.

(2) Detection for temperature sensor malfunction

When there's malfunction for temperature sensor, compressor and fan stop operation. LED indicator is OFF and buttons are invalid. Nixie tube displays F2. After the temperature is resumed normally, restart the unit.

(3) Bucket full protection (off switch)

Under operation status, if there's bucket full protection or the water tank hasn't been installed well, compressor stop operation and the fan also stop operation after the fan operates continuously for 3min. If water blow protection occurred for 3min, the buzzer will stop after it gives out a beep for 10s. Indicator of bucket full blinks and all the buttons are invalid except on/off button. When the water level or assembly of water tank resume to normal, signal of bucket full protection will cancelled. Indicator is off, buzzer stops to give out a beep and the fan resumes to normal operation state. Compressor resumes to operation normally after 3mins. When the unit is off, bucket full protection is occurred, water blow indicator blinks, compressor and fan stop operation, and all the buttons are invalid except on/off button.

(4) Freeze protection

If freeze protection is detected during operation, compressor stops operation, fan operates at compulsory high speed and the fan speed buttons are invalid. When freeze protection is completed, fan speed button are valid, fan operates at set status and the compressor can be restarted up after stopping for 3 minutes.

3. Other Functions

(1) Buttons on front panel

Timer button: use for timer setting

Fan speed button: adjust fan speed

+/- button : adjust humidity

Filter button: adjust filter function

Power button: turn on or turn off unit

(2) LED indicator

2H timer indicator: the indicator is on after setting 2H timer;

4H timer indicator: the indicator is on after setting 4H timer;

High fan speed indicator: the indicator is on after the fan is set at high fan speed;

Low fan speed indicator: the indicator is on after the fan is set at low fan speed;

CONTINUOUS indicator: After continue humidifying is set, continue humidifying indicator is on;

FILTER RESET indicator: the indicator is on when the operation time of fan reaches to 250h totally. After filter is cleaned, press

FILTER button and then this indicator is off.

BUCKET FULL indicator: the indicator blinks if bucket full protection is occurred or the water tank hasn't been installed well.

(3) Timer OFF control

2h or 4h timer OFF can be set. Timer off can be set under on status. Timer setting is recorded every 30min by memory function.

(4) Display of nixie tube (green)

Under on status, the nixie tube displays current humidity. Press "+" button or "-" button to display set humidity. After humidity is set for 5s, it resumes to display current ambient humidity. If "CO" is set, the nixie tube displays "CO";

When there's malfunction of temperature sensor, nixie tube displays "F2" and LED is OFF.

(5) Filter alarming function

a. After the fan operates for 250s totally, the filter indicator is on for reminding customer to clean filter. User presses "filter" button to clear time and then filter indicator is OFF.

b. Under off status, the filter indicator is off; the filter clean time is recorded every 30mins.

(6) Buzzer

When the controller is energized or receives any command or signal from the buttons or the remote controller, the buzzer will give out a beep.

(7) Power-off memory function

System can memorize the operation status before power failure. The unit can operate at that status automatically when power recovery.

(8) Ex-factory default setting

Ex-factory default setting: fan speed: high speed

humidity: continue humidifying (CO).

8.Maintenance

8.1 Error Code

| No. | Malfunction Name | Nixie tube display | Unit status | Possible Causes |
|-----|-------------------------------------|--------------------|--|---|
| 1 | Malfunction of ambient temp. sensor | F1 | The compressor, fan and water pump stop; buttons are invalid | <ol style="list-style-type: none"> 1. The wiring terminal between ambient temperature sensor and main board is loosened or poorly contacted; 2. There's short circuit due to trip-over of the parts on controller; 3. Ambient temperature sensor is damaged (Please check it by referring to the resistance table for temperature sensor); 4. Main board is broken. |
| 2 | Malfunction of tube temp. sensor | F2 | | <ol style="list-style-type: none"> 1. The wiring terminal between evaporator temperature sensor and main board is loosened or poorly contacted; 2. There's short circuit due to the trip-over of the parts on controller; 3. Evaporator temperature sensor is damaged (Please check it by referring to the resistance table for temperature sensor); 4. Main board is broken. |

8.3 Maintenance Method for Common Malfunction

1.The Unit Can't Start Up

| Possible causes | Discriminating method (dehumidifier status) | Troubleshooting |
|---|--|--|
| No power supply, or poor connection for power plug | After energization, operation indicator isn't bright and the buzzer can't give out sound | Confirm whether it's due to power failure. If yes, wait for power recovery. If not, check power supply circuit and make sure the power plug is connected well. |
| Poor connection between wiring terminals | Power indicator is not on after the unit is energized | Check the circuit according to wiring diagram and connect wire properly; ensure each wiring terminal contact firmly |
| There is electric leakage in the unit | Circuit breaker jump off immediately after the unit is energized | Make sure the unit is properly grounded; Make sure the wiring is correct; Check if the insulating layer of wires inside the unit and power cord is in good condition; if the layer is broken, please replace it. |
| Placing position of water tank is not correct. Water is removed or the water is full. | Wall-full indicator flashes. | Make sure the water tank is placed correctly. |

2. Poor Dehumidifying Effect

| Possible causes | Discriminating method (dehumidifier status) | Troubleshooting |
|---|--|---|
| Set humidity is irrational | Observe the displayed set humidity | Adjust set humidity |
| Filter is blocked | Check the filter to see it's blocked | Clean the filter |
| Placing position of water tank is improper. | Check whether there're obstacles around the dehumidifier blocked the air outlet. | Make sure there're no obstacles around the dehumidifiers. |
| Refrigerant is leaking | Air outlet temperature is lower than normal temperature during dehumidifying period. | Find out the cause of leakage and solve the problem; charge refrigerant |
| Malfunction of capillary | Air outlet temperature is lower than normal temperature during dehumidifying period. If the refrigerant isn't leaking, some parts of capillary is blocked. | Replace capillary |
| Malfunction of fan | Fan can't operate. | Refer to point 3 of maintenance method for details |
| Malfunction of compressor | Compressor can't operate | Refer to point 4 of maintenance method for details |

3.Fan Can't Operate

| Possible causes | Discriminating method (dehumidifier status) | Troubleshooting |
|---|--|--|
| Wrong wire connection, or poor connection | Check the wiring status according to circuit diagram | Connect wires according to wiring diagram to make sure all wiring terminals are connected firmly |
| Needle stand of connection wire between mainboard and display board is loosened | Check if the needle stand is loosened | Reinsert the needle stand firmly |
| Fan capacitor is broken | Test the voltage between two ends of fan capacitor with universal meter and the value is 0 | Replace fan capacitor |
| Power supply voltage is too low or too high | Test the power supply voltage with universal meter and the value is too high or too low | Apply voltage regulator |
| Fan is broken | The above situation is normal but the fan does not operate | Repair or replace the fan |

4. Compressor Can't Operate

| Possible causes | Discriminating method (dehumidifier status) | Troubleshooting |
|--|---|---|
| Wrong wire connection, or poor connection | Check the wiring status according to circuit diagram | Connect wires according to wiring diagram to make sure all wiring terminals are connected firmly |
| Compressor relay on the mainboard is broken or the compressor needle stand is loosened | Check if the relay is sucked in cooling mode | Replace the mainboard with the same model |
| Capacity of compressor is damaged | After tuning on the unit, the unit can't dehumidify. Use universal meter to measure the resistance value of two contact points of capacitor. If the resistance value is too big or 0, the capacitor is damaged. | Replace the compressor |
| Power voltage is a little low or high | After turning on the unit, dehumidifying effect is poor or compressor is turned on or off frequently. Use universal meter to measure the power supply voltage directly | The fluctuation of voltage is 10% rated power. If the power is too low or too high, you are suggested to equip wit voltage regulator. |
| Coil of compressor is burnt out | There is no dehumidifying effect after turning on the unit; test the resistance of the wiring poles of compressor with universal meter; if the resistance is infinite or zero, it means it is broken | Repair or replace compressor |
| Cylinder of compressor is blocked | The dehumidifying effect is poor after turning on the unit; the noise of compressor is big and the compressor is hot | Repair or replace compressor |

5. Water Leakage

| Possible causes | Discriminating method (dehumidifier status) | Troubleshooting |
|--|---|---|
| Drainage pipe hasn't been installed correctly. | Water is coming out from indoors. | Eliminate the blocking objects inside the drainage channel. |

6. Abnormal Sounds and Vibration

| Possible causes | Discriminating method (dehumidifier status) | Troubleshooting |
|---|---|---|
| There is abnormal sound in some parts when just turning on or turning off the unit | There's the sound of "PAPA" | Normal phenomenon. Abnormal sound will disappear after a few minutes. |
| There is abnormal sound of refrigerant flowing when just turning on or turning off the unit | Water-running sound can be heard | Normal phenomenon. Abnormal sound will disappear after a few minutes. |
| There is touching sound of foreign objects or parts inside the unit | The unit gives out abnormal sound | Take out the foreign objects; adjust the position of each part inside the unit; tighten the connection screws; apply some damping gum on the touching parts |
| Abnormal shake of compressor | Outdoor unit gives out abnormal sound | Adjust the support foot mat of compressor, tighten the bolts |
| Abnormal sound inside the compressor | Abnormal sound inside the compressor | If add too much refrigerant during maintenance, please reduce refrigerant properly. Replace compressor for other circumstances. |


| No. | Description | Part Code | | Qty |
|-----|------------------------------|-----------------|-------------|-----|
| | | GDN12AJ-K4EBC1A | | |
| | | Product code | | |
| | | CK051012901 | CK051012902 | |
| 1 | Front Panel | 20006221 | 20006221 | 1 |
| 2 | Centrifugal Fan sub-assy | 00001100035 | 00001100035 | 1 |
| 3 | Propeller Housing | 22206232 | 22206232 | 1 |
| 4 | Centrifugal Fan | 10316065 | 10316065 | 1 |
| 5 | Fan Motor | 1501651506 | 1501651506 | 1 |
| 6 | Diversion Circle | 10376045 | 10376045 | 1 |
| 7 | Heat-exchange Equipment | 01100400036 | 01100400036 | 1 |
| 8 | Capillary Sub-assy | 03000600363 | 03000600363 | 1 |
| 9 | Connecting Pipe(Evaporator) | 05016155 | 05016155 | 1 |
| 10 | Connecting Pipe(Condenser) | 05016154 | 05016154 | 1 |
| 11 | Condenser Sub-Assy | 01136220 | 01136220 | 1 |
| 12 | Evaporator Sub-Assy | 01036095 | 01036095 | 1 |
| 13 | Cover Plate | 20126125 | 20126125 | 1 |
| 14 | Humidity Sensor | 32210113 | 32210113 | 1 |
| 15 | Tube Sensor | 390000594 | 390000594 | 1 |
| 16 | Top Cover Assy | 00009700005 | 00009700011 | 1 |
| 17 | Left Side Plate | 20056132 | 2005613203 | 1 |
| 18 | Membrane | 63066057 | 63066527 | 1 |
| 19 | Coping | 22246096 | 2224609603 | 1 |
| 20 | Display Board | 30561058 | 30561058 | 1 |
| 21 | Right Side Plate | 20056133 | 2005613303 | 1 |
| 22 | Filter Sub-Assy | 11126106 | 11126106 | 1 |
| 23 | Wire catch | 71016006 | 71016006 | 2 |
| 24 | Rear Case | 22206210 | 22206210 | 1 |
| 25 | Cover of drainage hole | 22246097 | 22246097 | 1 |
| 26 | Adaptor sub-assy | 26116155 | 26116155 | 1 |
| 27 | Rubber Plug(Water Tray) | 76716054 | 76716054 | 1 |
| 28 | Water Tray | 20186143 | 20186143 | 1 |
| 29 | Liquid Level Switch Sub-assy | 00019400004 | 00019400004 | 1 |
| 30 | Inching Switch | 45016514 | 45016514 | 1 |
| 31 | Water Tray Assy | 00006900061 | 00006900061 | 1 |
| 32 | Electric Box Cover Sub-Assy | 20126131 | 20126131 | 1 |
| 33 | Electric Box Assy | 10000201923 | 10000201923 | 1 |
| 34 | Capacitor CBB65 | 3300002237 | 3300002237 | 1 |
| 35 | Capacitor CBB61S | 3301074701 | 3301074701 | 1 |
| 36 | Main Board | 30131458 | 30131458 | 1 |
| 37 | Castor | 24236019 | 24236019 | 4 |
| 38 | Chassis Sub-assy | 2222607701 | 2222607701 | 1 |
| 39 | Compressor Gasket | 76716100 | 76716100 | 3 |
| 40 | Compressor and Fittings | 00106107 | 00106107 | 1 |
| 41 | Power Cord | 4002039116 | 4002028617 | 1 |
| 42 | Discharge Tube Sub-assy | 03001300247 | 03001300247 | 1 |
| 43 | Inhalation Tube Sub-assy | 03001000248 | 03001000248 | 1 |
| 44 | Buoy | 2611613101 | 2611613101 | 1 |
| 45 | Press Plate | 2611613001 | 2611613001 | 1 |
| 46 | Water Tank Cover | 22246098 | 22246098 | 1 |
| 47 | Water Tank Sub-Assy | 20186149 | 20186149 | 1 |
| 48 | Water Tank Assy | 20186540 | 20186540 | 1 |

Above data is subject to change without notice.

| No. | Description | Part Code | | Qty |
|-----|------------------------------|-----------------|--|-----|
| | | GDN12AJ-K4EBC1B | | |
| | | Product code | | |
| | | CK051019102 | | |
| 1 | Front Panel | 20006221 | | 1 |
| 2 | Centrifugal Fan sub-assy | 00001100035 | | 1 |
| 3 | Propeller Housing | 22206232 | | 1 |
| 4 | Centrifugal Fan | 10316065 | | 1 |
| 5 | Fan Motor | 1501651506 | | 1 |
| 6 | Diversion Circle | 10376045 | | 1 |
| 7 | Heat-exchange Equipment | 01100400036 | | 1 |
| 8 | Capillary Sub-assy | 03000600363 | | 1 |
| 9 | Connecting Pipe(Evaporator) | 05016155 | | 1 |
| 10 | Connecting Pipe(Condenser) | 05016154 | | 1 |
| 11 | Condenser Sub-Assy | 01136220 | | 1 |
| 12 | Evaporator Sub-Assy | 01036095 | | 1 |
| 13 | Cover Plate | 20126125 | | 1 |
| 14 | Humidity Sensor | 32210113 | | 1 |
| 15 | Tube Sensor | 390000594 | | 1 |
| 16 | Top Cover Assy | 00009700005 | | 1 |
| 17 | Left Side Plate | 20056132 | | 1 |
| 18 | Membrane | 63066057 | | 1 |
| 19 | Coping | 22246096 | | 1 |
| 20 | Display Board | 30561058 | | 1 |
| 21 | Right Side Plate | 20056133 | | 1 |
| 22 | Filter Sub-Assy | 11126106 | | 1 |
| 23 | Wire catch | 71016006 | | 2 |
| 24 | Rear Case | 22206210 | | 1 |
| 25 | Cover of drainage hole | 22246097 | | 1 |
| 26 | Adaptor sub-assy | 26116155 | | 1 |
| 27 | Rubber Plug(Water Tray) | 76716054 | | 1 |
| 28 | Water Tray | 20186143 | | 1 |
| 29 | Liquid Level Switch Sub-assy | 00019400004 | | 1 |
| 30 | Inching Switch | 45016514 | | 1 |
| 31 | Water Tray Assy | 00006900061 | | 1 |
| 32 | Electric Box Cover Sub-Assy | 20126131 | | 1 |
| 33 | Electric Box Assy | 10000201923 | | 1 |
| 34 | Capacitor CBB65 | 3300002237 | | 1 |
| 35 | Capacitor CBB61S | 3301074701 | | 1 |
| 36 | Main Board | 30131458 | | 1 |
| 37 | Castor | 24236019 | | 4 |
| 38 | Chassis Sub-assy | 2222607701 | | 1 |
| 39 | Compressor Gasket | 76716100 | | 3 |
| 40 | Compressor and Fittings | 00106107 | | 1 |
| 41 | Power Cord | 4002039116 | | 1 |
| 42 | Discharge Tube Sub-assy | 03001300247 | | 1 |
| 43 | Inhalation Tube Sub-assy | 03001000248 | | 1 |
| 44 | Buoy | 2611613101 | | 1 |
| 45 | Press Plate | 2611613001 | | 1 |
| 46 | Water Tank Cover | 22246098 | | 1 |
| 47 | Water Tank Sub-Assy | 2018614902S | | 1 |
| 48 | Water Tank Assy | 20186545 | | 1 |

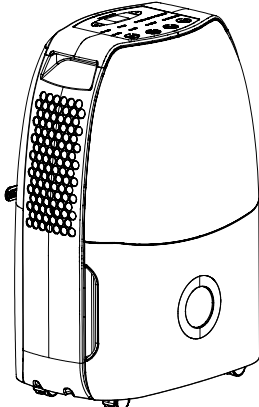
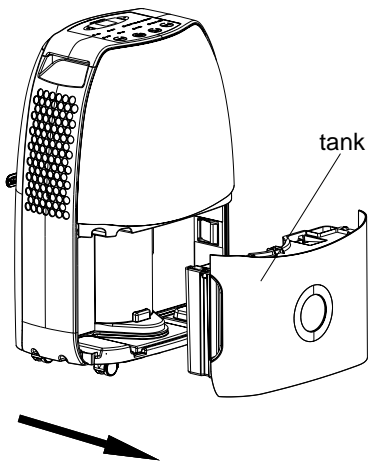
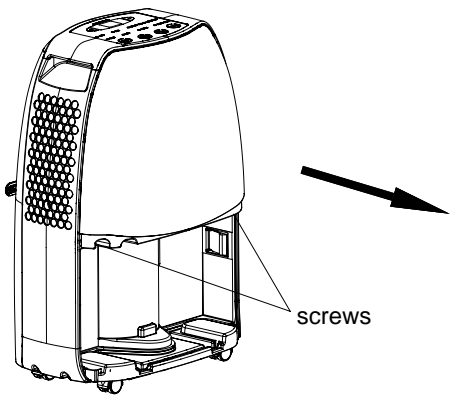
Above data is subject to change without notice.

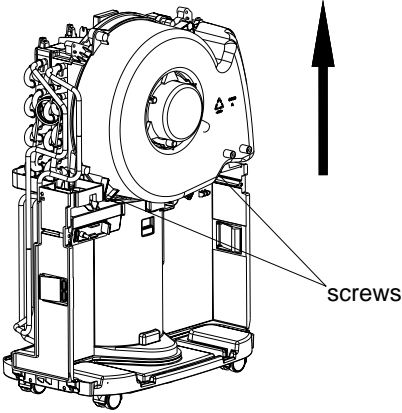
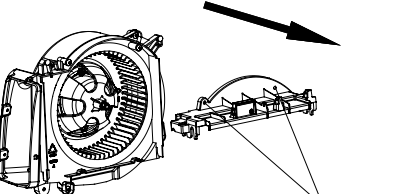
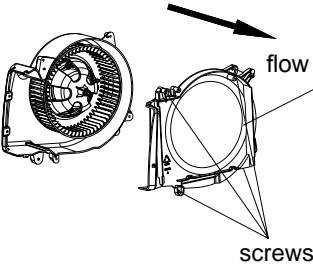
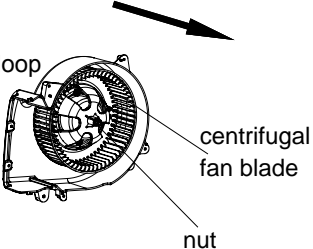
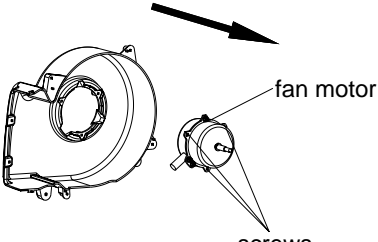
10. Removal Procedure

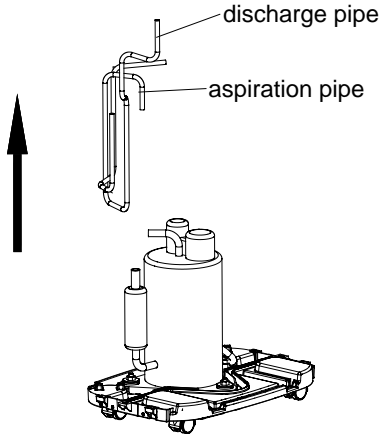
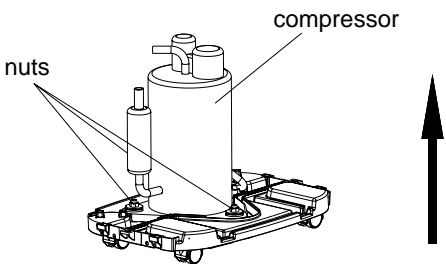
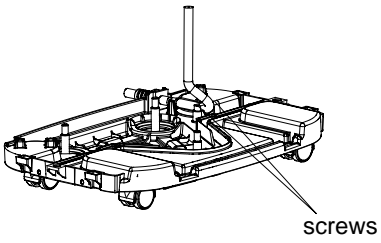
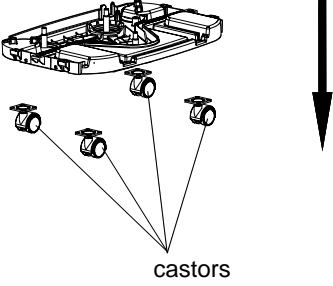
 **Warning: disconnect power supply before removal; discharge the refrigerant completely before unsoldering the pipes.**

GDN12AJ-K4EBC1A GDN16AJ-K4EBC1A GDN12AJ-K4EBC1B

Take GDN12AJ-K4EBC1A GDN16AJ-K4EBC1A for example.

| Steps | Procedure | |
|-------|--|--|
| 1 | Before disassembly |  |
| 2 | Remove tank Draw the tank outwards to remove the tank. |  |
| 3 | Remove front panel Remove 2 screws showing in the picture and hold the bottom to draw it. The front panel can be removed. |  |

| Steps | Procedure |
|--|--|
| <p>6</p> <p>Remove air duct Remove 2 connection screws between air duct and water tray. Lift the air duct up to remove it.</p> <p>a. Remove cover plate (air duct) Remove 2 connection screws and then remove the cover plate.</p> <p>b. Remove flow guide loop Remove 4 connections screws and then remove the flow guide loop.</p> <p>c. Remove centrifugal fan blade Remove nut fixing centrifugal fan blade. Then remove the fan blade.(as shown in fig3).</p> <p>d. Remove motor Remove 3 connection screws and then remove motor (as shown in fig 4).</p> |   <p>fig.1</p>  <p>fig.2</p>  <p>fig.3</p>  <p>fig.4</p> |

| Steps | Procedure | |
|--|---|--|
| <p>10</p> <p>Remove aspiration and discharge pipes Unsolder pipe connecting to compressor. Then remove aspiration and discharge pipes.</p> |  <p>discharge pipe</p> <p>aspiration pipe</p> | |
| <p>11</p> <p>Remove compressor Remove 3 hold-down nuts of compressor and then remove compressor.</p> |  <p>nuts</p> <p>compressor</p> | |
| <p>12</p> <p>Remove power cord Remove 2 screws showing in the picture and then remove wire clamp. Then remove power cord.</p> |  <p>screws</p> | |
| <p>13</p> <p>Remove castors Remove 8 connection screws of 4 castors. Then remove the castors.</p> |  <p>castors</p> | |

Appendix 2: Resistance Table of Temperature Sensor

Resistance Table of Ambient Temperature Sensor (15K)

| Temp(°C) | Resistance(kΩ) | Temp(°C) | Resistance(kΩ) | Temp(°C) | Resistance(kΩ) | Temp(°C) | Resistance(kΩ) |
|----------|----------------|----------|----------------|----------|----------------|----------|----------------|
| -19 | 138.1 | 20 | 18.75 | 59 | 3.848 | 98 | 1.071 |
| -18 | 128.6 | 21 | 17.93 | 60 | 3.711 | 99 | 1.039 |
| -17 | 121.6 | 22 | 17.14 | 61 | 3.579 | 100 | 1.009 |
| -16 | 115 | 23 | 16.39 | 62 | 3.454 | 101 | 0.98 |
| -15 | 108.7 | 24 | 15.68 | 63 | 3.333 | 102 | 0.952 |
| -14 | 102.9 | 25 | 15 | 64 | 3.217 | 103 | 0.925 |
| -13 | 97.4 | 26 | 14.36 | 65 | 3.105 | 104 | 0.898 |
| -12 | 92.22 | 27 | 13.74 | 66 | 2.998 | 105 | 0.873 |
| -11 | 87.35 | 28 | 13.16 | 67 | 2.896 | 106 | 0.848 |
| -10 | 82.75 | 29 | 12.6 | 68 | 2.797 | 107 | 0.825 |
| -9 | 78.43 | 30 | 12.07 | 69 | 2.702 | 108 | 0.802 |
| -8 | 74.35 | 31 | 11.57 | 70 | 2.611 | 109 | 0.779 |
| -7 | 70.5 | 32 | 11.09 | 71 | 2.523 | 110 | 0.758 |
| -6 | 66.88 | 33 | 10.63 | 72 | 2.439 | 111 | 0.737 |
| -5 | 63.46 | 34 | 10.2 | 73 | 2.358 | 112 | 0.717 |
| -4 | 60.23 | 35 | 9.779 | 74 | 2.28 | 113 | 0.697 |
| -3 | 57.18 | 36 | 9.382 | 75 | 2.206 | 114 | 0.678 |
| -2 | 54.31 | 37 | 9.003 | 76 | 2.133 | 115 | 0.66 |
| -1 | 51.59 | 38 | 8.642 | 77 | 2.064 | 116 | 0.642 |
| 0 | 49.02 | 39 | 8.297 | 78 | 1.997 | 117 | 0.625 |
| 1 | 46.6 | 40 | 7.967 | 79 | 1.933 | 118 | 0.608 |
| 2 | 44.31 | 41 | 7.653 | 80 | 1.871 | 119 | 0.592 |
| 3 | 42.14 | 42 | 7.352 | 81 | 1.811 | 120 | 0.577 |
| 4 | 40.09 | 43 | 7.065 | 82 | 1.754 | 121 | 0.561 |
| 5 | 38.15 | 44 | 6.791 | 83 | 1.699 | 122 | 0.547 |
| 6 | 36.32 | 45 | 6.529 | 84 | 1.645 | 123 | 0.532 |
| 7 | 34.58 | 46 | 6.278 | 85 | 1.594 | 124 | 0.519 |
| 8 | 32.94 | 47 | 6.038 | 86 | 1.544 | 125 | 0.505 |
| 9 | 31.38 | 48 | 5.809 | 87 | 1.497 | 126 | 0.492 |
| 10 | 29.9 | 49 | 5.589 | 88 | 1.451 | 127 | 0.48 |
| 11 | 28.51 | 50 | 5.379 | 89 | 1.408 | 128 | 0.467 |
| 12 | 27.18 | 51 | 5.197 | 90 | 1.363 | 129 | 0.456 |
| 13 | 25.92 | 52 | 4.986 | 91 | 1.322 | 130 | 0.444 |
| 14 | 24.73 | 53 | 4.802 | 92 | 1.282 | 131 | 0.433 |
| 15 | 23.6 | 54 | 4.625 | 93 | 1.244 | 132 | 0.422 |
| 16 | 22.53 | 55 | 4.456 | 94 | 1.207 | 133 | 0.412 |
| 17 | 21.51 | 56 | 4.294 | 95 | 1.171 | 134 | 0.401 |
| 18 | 20.54 | 57 | 4.139 | 96 | 1.136 | 135 | 0.391 |
| 19 | 19.63 | 58 | 3.99 | 97 | 1.103 | 136 | 0.382 |

Resistance Table of Tube Temperature Sensors (20K)

| Temp(°C) | Resistance(kΩ) | Temp(°C) | Resistance(kΩ) | Temp(°C) | Resistance(kΩ) | Temp(°C) | Resistance(kΩ) |
|----------|----------------|----------|----------------|----------|----------------|----------|----------------|
| -19 | 181.4 | 20 | 25.01 | 59 | 5.13 | 98 | 1.427 |
| -18 | 171.4 | 21 | 23.9 | 60 | 4.948 | 99 | 1.386 |
| -17 | 162.1 | 22 | 22.85 | 61 | 4.773 | 100 | 1.346 |
| -16 | 153.3 | 23 | 21.85 | 62 | 4.605 | 101 | 1.307 |
| -15 | 145 | 24 | 20.9 | 63 | 4.443 | 102 | 1.269 |
| -14 | 137.2 | 25 | 20 | 64 | 4.289 | 103 | 1.233 |
| -13 | 129.9 | 26 | 19.14 | 65 | 4.14 | 104 | 1.198 |
| -12 | 123 | 27 | 18.13 | 66 | 3.998 | 105 | 1.164 |
| -11 | 116.5 | 28 | 17.55 | 67 | 3.861 | 106 | 1.131 |
| -10 | 110.3 | 29 | 16.8 | 68 | 3.729 | 107 | 1.099 |
| -9 | 104.6 | 30 | 16.1 | 69 | 3.603 | 108 | 1.069 |
| -8 | 99.13 | 31 | 15.43 | 70 | 3.481 | 109 | 1.039 |
| -7 | 94 | 32 | 14.79 | 71 | 3.364 | 110 | 1.01 |
| -6 | 89.17 | 33 | 14.18 | 72 | 3.252 | 111 | 0.983 |
| -5 | 84.61 | 34 | 13.59 | 73 | 3.144 | 112 | 0.956 |
| -4 | 80.31 | 35 | 13.04 | 74 | 3.04 | 113 | 0.93 |
| -3 | 76.24 | 36 | 12.51 | 75 | 2.94 | 114 | 0.904 |
| -2 | 72.41 | 37 | 12 | 76 | 2.844 | 115 | 0.88 |
| -1 | 68.79 | 38 | 11.52 | 77 | 2.752 | 116 | 0.856 |
| 0 | 65.37 | 39 | 11.06 | 78 | 2.663 | 117 | 0.833 |
| 1 | 62.13 | 40 | 10.62 | 79 | 2.577 | 118 | 0.811 |
| 2 | 59.08 | 41 | 10.2 | 80 | 2.495 | 119 | 0.77 |
| 3 | 56.19 | 42 | 9.803 | 81 | 2.415 | 120 | 0.769 |
| 4 | 53.46 | 43 | 9.42 | 82 | 2.339 | 121 | 0.746 |
| 5 | 50.87 | 44 | 9.054 | 83 | 2.265 | 122 | 0.729 |
| 6 | 48.42 | 45 | 8.705 | 84 | 2.194 | 123 | 0.71 |
| 7 | 46.11 | 46 | 8.37 | 85 | 2.125 | 124 | 0.692 |
| 8 | 43.92 | 47 | 8.051 | 86 | 2.059 | 125 | 0.674 |
| 9 | 41.84 | 48 | 7.745 | 87 | 1.996 | 126 | 0.658 |
| 10 | 39.87 | 49 | 7.453 | 88 | 1.934 | 127 | 0.64 |
| 11 | 38.01 | 50 | 7.173 | 89 | 1.875 | 128 | 0.623 |
| 12 | 36.24 | 51 | 6.905 | 90 | 1.818 | 129 | 0.607 |
| 13 | 34.57 | 52 | 6.648 | 91 | 1.736 | 130 | 0.592 |
| 14 | 32.98 | 53 | 6.403 | 92 | 1.71 | 131 | 0.577 |
| 15 | 31.47 | 54 | 6.167 | 93 | 1.658 | 132 | 0.563 |
| 16 | 30.04 | 55 | 5.942 | 94 | 1.609 | 133 | 0.549 |
| 17 | 28.68 | 56 | 5.726 | 95 | 1.561 | 134 | 0.535 |
| 18 | 27.39 | 57 | 5.519 | 96 | 1.515 | 135 | 0.521 |
| 19 | 26.17 | 58 | 5.32 | 97 | 1.47 | 136 | 0.509 |

Resistance Table of Discharge Temperature Sensor (50K)

| Temp(°C) | Resistance(kΩ) | Temp(°C) | Resistance(kΩ) | Temp(°C) | Resistance(kΩ) | Temp(°C) | Resistance(kΩ) |
|----------|----------------|----------|----------------|----------|----------------|----------|----------------|
| -29 | 853.5 | 10 | 98 | 49 | 18.34 | 88 | 4.75 |
| -28 | 799.8 | 11 | 93.42 | 50 | 17.65 | 89 | 4.61 |
| -27 | 750 | 12 | 89.07 | 51 | 16.99 | 90 | 4.47 |
| -26 | 703.8 | 13 | 84.95 | 52 | 16.36 | 91 | 4.33 |
| -25 | 660.8 | 14 | 81.05 | 53 | 15.75 | 92 | 4.20 |
| -24 | 620.8 | 15 | 77.35 | 54 | 15.17 | 93 | 4.08 |
| -23 | 580.6 | 16 | 73.83 | 55 | 14.62 | 94 | 3.96 |
| -22 | 548.9 | 17 | 70.5 | 56 | 14.09 | 95 | 3.84 |
| -21 | 516.6 | 18 | 67.34 | 57 | 13.58 | 96 | 3.73 |
| -20 | 486.5 | 19 | 64.33 | 58 | 13.09 | 97 | 3.62 |
| -19 | 458.3 | 20 | 61.48 | 59 | 12.62 | 98 | 3.51 |
| -18 | 432 | 21 | 58.77 | 60 | 12.17 | 99 | 3.41 |
| -17 | 407.4 | 22 | 56.19 | 61 | 11.74 | 100 | 3.32 |
| -16 | 384.5 | 23 | 53.74 | 62 | 11.32 | 101 | 3.22 |
| -15 | 362.9 | 24 | 51.41 | 63 | 10.93 | 102 | 3.13 |
| -14 | 342.8 | 25 | 49.19 | 64 | 10.54 | 103 | 3.04 |
| -13 | 323.9 | 26 | 47.08 | 65 | 10.18 | 104 | 2.96 |
| -12 | 306.2 | 27 | 45.07 | 66 | 9.83 | 105 | 2.87 |
| -11 | 289.6 | 28 | 43.16 | 67 | 9.49 | 106 | 2.79 |
| -10 | 274 | 29 | 41.34 | 68 | 9.17 | 107 | 2.72 |
| -9 | 259.3 | 30 | 39.61 | 69 | 8.85 | 108 | 2.64 |
| -8 | 245.6 | 31 | 37.96 | 70 | 8.56 | 109 | 2.57 |
| -7 | 232.6 | 32 | 36.38 | 71 | 8.27 | 110 | 2.50 |
| -6 | 220.5 | 33 | 34.88 | 72 | 7.99 | 111 | 2.43 |
| -5 | 209 | 34 | 33.45 | 73 | 7.73 | 112 | 2.37 |
| -4 | 198.3 | 35 | 32.09 | 74 | 7.47 | 113 | 2.30 |
| -3 | 199.1 | 36 | 30.79 | 75 | 7.22 | 114 | 2.24 |
| -2 | 178.5 | 37 | 29.54 | 76 | 7.00 | 115 | 2.18 |
| -1 | 169.5 | 38 | 28.36 | 77 | 6.76 | 116 | 2.12 |
| 0 | 161 | 39 | 27.23 | 78 | 6.54 | 117 | 2.07 |
| 1 | 153 | 40 | 26.15 | 79 | 6.33 | 118 | 2.02 |
| 2 | 145.4 | 41 | 25.11 | 80 | 6.13 | 119 | 1.96 |
| 3 | 138.3 | 42 | 24.13 | 81 | 5.93 | 120 | 1.91 |
| 4 | 131.5 | 43 | 23.19 | 82 | 5.75 | 121 | 1.86 |
| 5 | 125.1 | 44 | 22.29 | 83 | 5.57 | 122 | 1.82 |
| 6 | 119.1 | 45 | 21.43 | 84 | 5.39 | 123 | 1.77 |
| 7 | 113.4 | 46 | 20.6 | 85 | 5.22 | 124 | 1.73 |
| 8 | 108 | 47 | 19.81 | 86 | 5.06 | 125 | 1.68 |
| 9 | 102.8 | 48 | 19.06 | 87 | 4.90 | 126 | 1.64 |

Appendix 3: Resistance Value Table of Humidity Sensor

HIS-06 temperature and humidity characteristic 5°C ~ 14°C

Unit:KΩ

| Relative humidity %RH | Temperature (°C) | | | | | | | | | |
|--------------------------|------------------|--------|--------|--------|--------|--------|--------|--------|--------|--------|
| | 5°C | 6°C | 7°C | 8°C | 9°C | 10°C | 11°C | 12°C | 13°C | 14°C |
| 90 | 5.35 | 4.92 | 4.55 | 4.23 | 3.95 | 3.70 | 3.47 | 3.25 | 3.05 | 2.87 |
| 89 | 5.80 | 5.33 | 4.93 | 4.58 | 4.27 | 4.00 | 3.74 | 3.51 | 3.29 | 3.09 |
| 88 | 6.29 | 5.77 | 5.33 | 4.95 | 4.62 | 4.32 | 4.03 | 3.78 | 3.54 | 3.32 |
| 87 | 6.82 | 6.25 | 5.77 | 5.36 | 4.99 | 4.66 | 4.35 | 4.08 | 3.82 | 3.58 |
| 86 | 7.40 | 6.78 | 6.25 | 5.80 | 5.40 | 5.04 | 4.70 | 4.40 | 4.11 | 3.85 |
| 85 | 8.03 | 7.35 | 6.78 | 6.28 | 5.84 | 5.45 | 5.09 | 4.75 | 4.45 | 4.16 |
| 84 | 8.71 | 7.97 | 7.35 | 6.81 | 6.33 | 5.91 | 5.50 | 5.14 | 4.80 | 4.49 |
| 83 | 9.44 | 8.65 | 7.97 | 7.39 | 6.87 | 6.41 | 5.96 | 5.56 | 5.19 | 4.84 |
| 82 | 10.25 | 9.39 | 8.65 | 8.02 | 7.46 | 6.96 | 6.47 | 6.03 | 5.62 | 5.24 |
| 81 | 11.13 | 10.19 | 9.40 | 8.71 | 8.10 | 7.56 | 7.03 | 6.54 | 6.09 | 5.68 |
| 80 | 12.09 | 11.07 | 10.21 | 9.46 | 8.80 | 8.21 | 7.62 | 7.08 | 6.59 | 6.13 |
| 79 | 13.14 | 12.03 | 11.09 | 10.28 | 9.57 | 8.93 | 8.28 | 7.70 | 7.16 | 6.66 |
| 78 | 14.27 | 13.07 | 12.05 | 11.17 | 10.40 | 9.70 | 8.99 | 8.35 | 7.75 | 7.20 |
| 77 | 15.50 | 14.20 | 13.10 | 12.14 | 11.30 | 10.55 | 9.78 | 9.07 | 8.43 | 7.83 |
| 76 | 16.84 | 15.43 | 14.24 | 13.21 | 12.30 | 11.48 | 10.64 | 9.87 | 9.16 | 8.51 |
| 75 | 18.31 | 16.78 | 15.49 | 14.37 | 13.38 | 12.50 | 11.58 | 10.75 | 9.98 | 9.26 |
| 74 | 19.91 | 18.25 | 16.85 | 15.64 | 14.57 | 13.62 | 12.62 | 11.72 | 10.89 | 10.12 |
| 73 | 21.67 | 19.87 | 18.35 | 17.04 | 15.88 | 14.84 | 13.71 | 12.67 | 11.72 | 10.84 |
| 72 | 23.61 | 21.66 | 20.00 | 18.57 | 17.31 | 16.18 | 14.98 | 13.90 | 12.89 | 11.96 |
| 71 | 25.78 | 23.64 | 21.84 | 20.27 | 18.89 | 17.66 | 16.35 | 15.16 | 14.06 | 13.05 |
| 70 | 28.15 | 25.82 | 23.85 | 22.15 | 20.65 | 19.30 | 17.91 | 16.63 | 15.46 | 14.37 |
| 69 | 30.78 | 28.24 | 26.10 | 24.24 | 22.60 | 21.13 | 19.60 | 18.19 | 16.91 | 15.71 |
| 68 | 33.69 | 30.92 | 28.58 | 26.55 | 24.76 | 23.16 | 21.48 | 19.94 | 18.53 | 17.22 |
| 67 | 36.90 | 33.88 | 31.33 | 29.11 | 27.16 | 25.42 | 23.56 | 21.86 | 20.29 | 18.85 |
| 66 | 40.45 | 37.16 | 34.37 | 31.96 | 29.84 | 27.93 | 25.83 | 23.92 | 22.15 | 20.52 |
| 65 | 44.38 | 40.78 | 37.74 | 35.11 | 32.78 | 30.70 | 28.42 | 26.34 | 24.42 | 22.65 |
| 64 | 48.75 | 44.81 | 41.48 | 38.59 | 36.05 | 33.77 | 31.24 | 28.93 | 26.80 | 24.83 |
| 63 | 53.64 | 49.31 | 45.65 | 42.48 | 39.68 | 37.17 | 34.34 | 31.74 | 29.36 | 27.15 |
| 62 | 59.14 | 54.36 | 50.32 | 46.82 | 43.73 | 40.97 | 37.83 | 34.96 | 32.32 | 29.87 |
| 61 | 65.31 | 60.02 | 55.55 | 51.68 | 48.26 | 45.20 | 41.70 | 38.51 | 35.58 | 32.86 |
| 60 | 72.27 | 66.40 | 61.43 | 57.13 | 53.33 | 49.94 | 46.07 | 42.53 | 39.28 | 36.27 |
| 59 | 80.13 | 73.58 | 68.04 | 63.25 | 59.01 | 55.23 | 50.94 | 47.03 | 43.43 | 40.10 |
| 58 | 88.92 | 81.61 | 75.43 | 70.08 | 65.36 | 61.14 | 56.40 | 52.08 | 48.11 | 44.43 |
| 57 | 98.86 | 90.68 | 83.77 | 77.78 | 72.50 | 67.78 | 62.49 | 57.67 | 53.23 | 49.12 |
| 56 | 112.59 | 102.79 | 94.50 | 87.33 | 81.00 | 75.33 | 69.42 | 64.03 | 59.07 | 54.48 |
| 55 | 122.69 | 112.51 | 103.91 | 96.45 | 89.88 | 84.00 | 77.42 | 71.41 | 65.88 | 60.76 |
| 54 | 137.09 | 125.76 | 116.19 | 107.89 | 100.57 | 94.03 | 86.69 | 79.99 | 73.82 | 68.11 |
| 53 | 153.46 | 140.88 | 130.25 | 121.03 | 112.91 | 105.64 | 97.26 | 89.61 | 82.58 | 76.06 |
| 52 | 172.19 | 158.19 | 146.35 | 136.10 | 127.05 | 118.96 | 109.52 | 100.90 | 92.97 | 85.63 |
| 51 | 193.69 | 178.04 | 164.81 | 153.36 | 143.25 | 134.21 | 123.35 | 113.43 | 104.31 | 95.86 |
| 50 | 218.48 | 200.85 | 185.94 | 173.02 | 161.63 | 151.44 | 139.14 | 127.90 | 117.57 | 108.01 |
| 49 | 247.23 | 227.16 | 210.19 | 195.49 | 182.52 | 170.92 | 156.84 | 143.98 | 132.15 | 121.20 |
| 48 | 278.74 | 256.20 | 237.15 | 220.64 | 206.08 | 193.06 | 177.34 | 163.00 | 149.80 | 137.58 |
| 47 | 315.50 | 289.95 | 268.35 | 249.64 | 233.14 | 218.37 | 200.56 | 184.30 | 169.34 | 155.49 |
| 46 | 357.93 | 328.94 | 304.43 | 283.20 | 264.47 | 247.72 | 227.57 | 209.18 | 192.25 | 176.59 |
| 45 | 406.44 | 373.72 | 346.05 | 322.08 | 300.94 | 282.03 | 259.22 | 238.40 | 219.24 | 201.51 |
| 44 | 463.66 | 426.44 | 394.96 | 367.70 | 343.66 | 322.14 | 296.25 | 272.62 | 250.87 | 230.74 |
| 43 | 531.25 | 488.59 | 452.53 | 421.28 | 393.73 | 369.08 | 339.44 | 312.38 | 287.50 | 264.45 |
| 42 | 611.22 | 562.01 | 520.40 | 484.35 | 452.55 | 424.11 | 390.24 | 359.31 | 330.86 | 304.52 |
| 41 | 707.78 | 650.29 | 601.68 | 559.58 | 522.44 | 489.21 | 450.38 | 414.92 | 382.31 | 352.11 |
| 40 | 823.98 | 756.22 | 698.93 | 649.30 | 605.53 | 566.37 | 521.46 | 480.46 | 442.74 | 407.81 |
| 39 | 962.72 | 882.62 | 814.90 | 756.23 | 704.48 | 658.19 | 604.79 | 556.03 | 511.18 | 469.66 |

| | | | | | | | | | | |
|----|----------|----------|----------|----------|----------|----------|----------|----------|----------|----------|
| 38 | 1128.50 | 1033.61 | 953.39 | 883.90 | 822.61 | 767.78 | 704.83 | 647.37 | 594.51 | 545.56 |
| 37 | 1325.87 | 1213.40 | 1118.31 | 1035.94 | 963.29 | 898.30 | 823.48 | 755.17 | 692.34 | 634.16 |
| 36 | 1563.51 | 1430.14 | 1317.38 | 1219.71 | 1133.55 | 1056.48 | 967.04 | 885.39 | 810.28 | 740.74 |
| 35 | 1855.67 | 1695.83 | 1560.69 | 1443.63 | 1340.37 | 1248.00 | 1140.34 | 1042.06 | 951.64 | 867.93 |
| 34 | 2213.60 | 2020.33 | 1856.92 | 1715.37 | 1590.51 | 1478.82 | 1349.81 | 1232.04 | 1123.70 | 1023.39 |
| 33 | 2665.63 | 2426.92 | 2225.10 | 2050.27 | 1896.06 | 1758.12 | 1605.77 | 1466.69 | 1338.74 | 1220.28 |
| 32 | 3230.73 | 2933.36 | 2681.95 | 2464.17 | 2272.06 | 2100.23 | 1916.82 | 1749.39 | 1595.37 | 1452.76 |
| 31 | 3962.78 | 3585.59 | 3266.69 | 2990.44 | 2746.77 | 2528.80 | 2308.12 | 2106.66 | 1921.33 | 1749.74 |
| 30 | 4915.40 | 4431.65 | 4022.65 | 3668.35 | 3355.84 | 3076.30 | 2801.20 | 2550.06 | 2319.03 | 2105.13 |
| 29 | 6180.16 | 5548.66 | 5014.73 | 4552.22 | 4144.26 | 3779.32 | 3431.59 | 3114.13 | 2822.10 | 2551.72 |
| 28 | 7874.08 | 7035.10 | 6325.74 | 5711.27 | 5169.27 | 4684.43 | 4243.82 | 3841.57 | 3471.54 | 3128.95 |
| 27 | 10162.49 | 9029.08 | 8070.80 | 7240.70 | 6508.50 | 5853.53 | 5293.25 | 4781.75 | 4311.22 | 3875.57 |
| 26 | 13243.42 | 11702.63 | 10399.92 | 9271.46 | 8276.08 | 7385.69 | 6658.01 | 5993.68 | 5382.56 | 4816.75 |
| 25 | 17366.01 | 15270.67 | 13499.09 | 11964.48 | 10610.86 | 9400.00 | 8447.52 | 7577.98 | 6778.07 | 6037.48 |
| 24 | 22845.46 | 20023.30 | 17637.20 | 15570.26 | 13747.10 | 12116.22 | 10866.57 | 9725.72 | 8676.25 | 7704.59 |
| 23 | 30130.06 | 26367.98 | 23187.18 | 20431.85 | 18001.48 | 15827.43 | 14156.73 | 12631.50 | 11228.43 | 9929.38 |
| 22 | 39673.45 | 34712.87 | 30518.76 | 26885.65 | 23681.03 | 20814.39 | 18624.92 | 16626.08 | 14787.33 | 13084.91 |
| 21 | 51880.00 | 45447.42 | 40008.75 | 35297.56 | 31142.00 | 27424.72 | 24504.12 | 21837.82 | 19385.06 | 17114.16 |
| 20 | 68057.37 | 59623.21 | 52492.24 | 46315.10 | 40866.49 | 35992.53 | 32084.71 | 28517.14 | 25235.30 | 22196.79 |

HIS-06 temperature and humidity characteristic 15°C ~24°C

Unit:KQ

| Relative humidity | Temperature (°C) | | | | | | | | | |
|-------------------|------------------|-------|-------|-------|-------|-------|-------|-------|-------|-------|
| | 15°C | 16°C | 17°C | 18°C | 19°C | 20°C | 21°C | 22°C | 23°C | 24°C |
| 90 | 2.70 | 2.56 | 2.43 | 2.31 | 2.19 | 2.08 | 1.99 | 1.91 | 1.83 | 1.75 |
| 89 | 2.91 | 2.76 | 2.61 | 2.48 | 2.35 | 2.23 | 2.13 | 2.04 | 1.95 | 1.86 |
| 88 | 3.12 | 2.96 | 2.80 | 2.66 | 2.52 | 2.39 | 2.28 | 2.18 | 2.08 | 1.98 |
| 87 | 3.36 | 3.18 | 3.01 | 2.85 | 2.70 | 2.56 | 2.44 | 2.33 | 2.22 | 2.12 |
| 86 | 3.61 | 3.42 | 3.23 | 3.06 | 2.90 | 2.75 | 2.62 | 2.50 | 2.38 | 2.27 |
| 85 | 3.90 | 3.69 | 3.49 | 3.30 | 3.12 | 2.95 | 2.81 | 2.67 | 2.54 | 2.42 |
| 84 | 4.20 | 3.97 | 3.76 | 3.55 | 3.36 | 3.18 | 3.03 | 2.88 | 2.74 | 2.61 |
| 83 | 4.52 | 4.28 | 4.05 | 3.83 | 3.63 | 3.43 | 3.26 | 3.10 | 2.94 | 2.79 |
| 82 | 4.89 | 4.63 | 4.38 | 4.14 | 3.92 | 3.71 | 3.52 | 3.33 | 3.16 | 2.99 |
| 81 | 5.29 | 5.00 | 4.73 | 4.48 | 4.24 | 4.01 | 3.80 | 3.60 | 3.42 | 3.23 |
| 80 | 5.70 | 5.39 | 5.10 | 4.83 | 4.57 | 4.33 | 4.10 | 3.88 | 3.68 | 3.48 |
| 79 | 6.19 | 5.85 | 5.53 | 5.22 | 4.94 | 4.67 | 4.41 | 4.17 | 3.94 | 3.72 |
| 78 | 6.69 | 6.32 | 5.96 | 5.63 | 5.32 | 5.02 | 4.75 | 4.49 | 4.24 | 4.01 |
| 77 | 7.27 | 6.85 | 6.46 | 6.09 | 5.74 | 5.41 | 5.11 | 4.83 | 4.56 | 4.31 |
| 76 | 7.90 | 7.44 | 7.00 | 6.59 | 6.20 | 5.83 | 5.51 | 5.21 | 4.92 | 4.65 |
| 75 | 8.60 | 8.08 | 7.60 | 7.14 | 6.71 | 6.30 | 5.95 | 5.62 | 5.30 | 4.99 |
| 74 | 9.40 | 8.82 | 8.28 | 7.77 | 7.29 | 6.83 | 6.45 | 6.09 | 5.74 | 5.41 |
| 73 | 10.02 | 9.44 | 8.89 | 8.38 | 7.89 | 7.43 | 7.01 | 6.60 | 6.21 | 5.84 |
| 72 | 11.10 | 10.43 | 9.79 | 9.19 | 8.63 | 8.09 | 7.62 | 7.17 | 6.74 | 6.33 |
| 71 | 12.10 | 11.36 | 10.67 | 10.02 | 9.40 | 8.82 | 8.31 | 7.82 | 7.36 | 6.92 |
| 70 | 13.36 | 12.52 | 11.72 | 10.98 | 10.27 | 9.60 | 9.03 | 8.49 | 7.97 | 7.48 |
| 69 | 14.60 | 13.67 | 12.79 | 11.97 | 11.19 | 10.45 | 9.82 | 9.23 | 8.66 | 8.11 |
| 68 | 16.00 | 14.96 | 13.99 | 13.07 | 12.20 | 11.37 | 10.68 | 10.02 | 9.39 | 8.78 |
| 67 | 17.50 | 16.35 | 15.27 | 14.26 | 13.30 | 12.39 | 11.61 | 10.86 | 10.15 | 9.47 |
| 66 | 19.00 | 17.76 | 16.60 | 15.51 | 14.47 | 13.49 | 12.64 | 11.83 | 11.05 | 10.31 |
| 65 | 21.00 | 19.59 | 18.26 | 17.01 | 15.82 | 14.70 | 13.76 | 12.86 | 12.01 | 11.19 |
| 64 | 23.00 | 21.43 | 19.96 | 18.57 | 17.25 | 16.00 | 14.98 | 14.00 | 13.06 | 12.16 |
| 63 | 25.10 | 23.38 | 21.77 | 20.24 | 18.80 | 17.44 | 16.31 | 15.24 | 14.22 | 13.24 |
| 62 | 27.60 | 25.66 | 23.84 | 22.13 | 20.51 | 18.97 | 17.73 | 16.55 | 15.42 | 14.34 |
| 61 | 30.33 | 28.17 | 26.14 | 24.23 | 22.42 | 20.71 | 19.37 | 18.10 | 16.88 | 15.72 |
| 60 | 33.47 | 31.05 | 28.78 | 26.64 | 24.62 | 22.70 | 21.24 | 19.84 | 18.50 | 17.23 |
| 59 | 37.00 | 34.31 | 31.77 | 29.39 | 27.13 | 24.99 | 23.37 | 21.83 | 20.36 | 18.95 |
| 58 | 41.00 | 38.00 | 35.18 | 32.52 | 30.00 | 27.61 | 25.82 | 24.11 | 22.47 | 20.90 |
| 57 | 45.30 | 41.99 | 38.88 | 35.95 | 33.18 | 30.54 | 28.59 | 26.72 | 24.94 | 23.24 |

| | | | | | | | | | | |
|----|----------|----------|----------|----------|----------|----------|---------|---------|---------|---------|
| 56 | 50.20 | 46.55 | 43.12 | 39.89 | 36.83 | 33.93 | 31.76 | 29.69 | 27.71 | 25.82 |
| 55 | 56.00 | 51.92 | 48.08 | 44.47 | 41.05 | 37.80 | 35.35 | 33.02 | 30.79 | 28.65 |
| 54 | 62.80 | 58.20 | 53.88 | 49.80 | 45.95 | 42.29 | 39.51 | 36.87 | 34.34 | 31.92 |
| 53 | 70.00 | 64.95 | 60.21 | 55.74 | 51.51 | 47.50 | 44.33 | 41.31 | 38.42 | 35.65 |
| 52 | 78.80 | 73.12 | 67.79 | 62.76 | 58.00 | 53.49 | 49.86 | 46.40 | 43.10 | 39.94 |
| 51 | 88.00 | 81.79 | 75.97 | 70.47 | 65.27 | 60.34 | 56.11 | 52.08 | 48.23 | 44.54 |
| 50 | 99.10 | 92.12 | 85.57 | 79.39 | 73.55 | 68.00 | 63.15 | 58.52 | 54.10 | 49.86 |
| 49 | 111.00 | 103.28 | 96.04 | 89.20 | 82.74 | 76.61 | 70.94 | 65.54 | 60.38 | 55.44 |
| 48 | 126.20 | 117.27 | 108.88 | 100.97 | 93.48 | 86.38 | 79.89 | 73.71 | 67.79 | 62.13 |
| 47 | 142.60 | 132.48 | 122.97 | 114.00 | 105.52 | 97.48 | 90.16 | 83.18 | 76.51 | 70.12 |
| 46 | 162.00 | 150.38 | 139.46 | 129.16 | 119.43 | 110.19 | 101.62 | 93.45 | 85.64 | 78.17 |
| 45 | 185.00 | 171.49 | 158.81 | 146.85 | 135.53 | 124.80 | 115.00 | 105.66 | 96.74 | 88.20 |
| 44 | 212.00 | 196.23 | 181.41 | 167.45 | 154.23 | 141.70 | 130.18 | 119.19 | 108.69 | 98.64 |
| 43 | 243.00 | 224.65 | 207.41 | 191.15 | 175.78 | 161.19 | 148.03 | 135.48 | 123.49 | 112.01 |
| 42 | 280.00 | 258.38 | 238.08 | 218.93 | 200.82 | 183.64 | 168.64 | 154.32 | 140.65 | 127.56 |
| 41 | 324.00 | 298.37 | 274.29 | 251.59 | 230.12 | 209.75 | 192.53 | 176.11 | 160.43 | 145.41 |
| 40 | 375.30 | 344.95 | 316.43 | 289.55 | 264.12 | 240.00 | 220.30 | 201.52 | 183.57 | 166.39 |
| 39 | 431.00 | 395.97 | 363.07 | 332.05 | 302.71 | 274.87 | 251.94 | 230.08 | 209.19 | 189.19 |
| 38 | 500.00 | 458.51 | 419.54 | 382.80 | 348.04 | 315.07 | 289.04 | 264.21 | 240.49 | 217.78 |
| 37 | 580.00 | 531.11 | 485.18 | 441.88 | 400.92 | 362.06 | 332.09 | 303.52 | 276.21 | 250.07 |
| 36 | 676.00 | 618.14 | 563.79 | 512.55 | 464.08 | 418.09 | 383.52 | 350.57 | 319.07 | 288.92 |
| 35 | 790.00 | 721.80 | 657.74 | 597.34 | 540.20 | 486.00 | 445.77 | 407.41 | 370.75 | 335.66 |
| 34 | 930.00 | 848.96 | 772.84 | 701.08 | 633.19 | 568.78 | 521.38 | 476.19 | 433.01 | 391.66 |
| 33 | 1110.00 | 1011.10 | 918.19 | 830.60 | 747.75 | 669.14 | 613.58 | 560.59 | 509.97 | 461.49 |
| 32 | 1320.00 | 1201.45 | 1090.09 | 985.09 | 885.78 | 791.56 | 725.62 | 662.75 | 602.68 | 545.17 |
| 31 | 1590.00 | 1444.80 | 1308.40 | 1179.80 | 1058.15 | 942.75 | 863.43 | 787.81 | 715.55 | 646.36 |
| 30 | 1906.00 | 1731.91 | 1568.38 | 1414.20 | 1268.36 | 1130.00 | 1034.60 | 943.64 | 856.73 | 773.51 |
| 29 | 2300.00 | 2089.81 | 1892.37 | 1706.22 | 1530.13 | 1363.08 | 1244.55 | 1131.54 | 1023.56 | 920.17 |
| 28 | 2810.00 | 2550.31 | 2306.37 | 2076.38 | 1858.82 | 1652.43 | 1505.84 | 1366.07 | 1232.52 | 1104.65 |
| 27 | 3470.00 | 3144.23 | 2838.22 | 2549.70 | 2276.79 | 2017.87 | 1836.86 | 1664.27 | 1499.35 | 1341.45 |
| 26 | 4290.00 | 3885.50 | 3505.53 | 3147.28 | 2808.41 | 2486.92 | 2253.64 | 2031.21 | 1818.67 | 1615.18 |
| 25 | 5348.00 | 4843.01 | 4368.65 | 3921.40 | 3498.35 | 3097.00 | 2802.48 | 2521.66 | 2253.33 | 1996.42 |
| 24 | 6800.00 | 6152.28 | 5543.84 | 4970.19 | 4427.56 | 3912.77 | 3538.27 | 3181.20 | 2840.01 | 2513.33 |
| 23 | 8720.00 | 7888.61 | 7107.64 | 6371.32 | 5674.82 | 5014.05 | 4529.95 | 4068.38 | 3627.32 | 3205.04 |
| 22 | 11500.00 | 10371.38 | 9311.21 | 8311.65 | 7366.14 | 6469.15 | 5839.63 | 5239.39 | 4665.85 | 4116.71 |
| 21 | 15000.00 | 13512.80 | 12115.79 | 10798.65 | 9552.74 | 8370.76 | 7546.29 | 6760.17 | 6009.01 | 5289.82 |
| 20 | 19368.00 | 17441.37 | 15631.58 | 13925.26 | 12311.23 | 10780.00 | 9716.41 | 8702.31 | 7733.29 | 6805.52 |

HIS-06 temperature and humidity characteristic 25°C ~ 34°C

Unit:KQ

| Relative humidity | Temperature (°C) | | | | | | | | | |
|-------------------|------------------|------|------|------|------|------|------|------|------|------|
| | 25°C | 26°C | 27°C | 28°C | 29°C | 30°C | 31°C | 32°C | 33°C | 34°C |
| 90 | 1.68 | 1.62 | 1.57 | 1.52 | 1.47 | 1.42 | 1.37 | 1.33 | 1.28 | 1.24 |
| 89 | 1.78 | 1.72 | 1.66 | 1.61 | 1.55 | 1.50 | 1.45 | 1.40 | 1.36 | 1.31 |
| 88 | 1.89 | 1.83 | 1.76 | 1.70 | 1.65 | 1.59 | 1.54 | 1.49 | 1.44 | 1.39 |
| 87 | 2.02 | 1.95 | 1.88 | 1.81 | 1.74 | 1.68 | 1.63 | 1.57 | 1.52 | 1.47 |
| 86 | 2.16 | 2.08 | 2.00 | 1.93 | 1.85 | 1.78 | 1.72 | 1.66 | 1.61 | 1.55 |
| 85 | 2.30 | 2.21 | 2.13 | 2.05 | 1.97 | 1.89 | 1.82 | 1.76 | 1.70 | 1.64 |
| 84 | 2.48 | 2.38 | 2.28 | 2.19 | 2.10 | 2.01 | 1.94 | 1.87 | 1.80 | 1.73 |
| 83 | 2.65 | 2.54 | 2.43 | 2.33 | 2.24 | 2.14 | 2.06 | 1.98 | 1.91 | 1.83 |
| 82 | 2.83 | 2.71 | 2.60 | 2.49 | 2.38 | 2.28 | 2.19 | 2.11 | 2.02 | 1.94 |
| 81 | 3.06 | 2.93 | 2.80 | 2.67 | 2.55 | 2.44 | 2.34 | 2.24 | 2.15 | 2.06 |
| 80 | 3.28 | 3.14 | 3.00 | 2.86 | 2.73 | 2.60 | 2.49 | 2.38 | 2.28 | 2.18 |
| 79 | 3.51 | 3.35 | 3.20 | 3.05 | 2.91 | 2.78 | 2.65 | 2.54 | 2.42 | 2.31 |
| 78 | 3.78 | 3.61 | 3.44 | 3.28 | 3.12 | 2.97 | 2.83 | 2.70 | 2.57 | 2.45 |
| 77 | 4.06 | 3.87 | 3.69 | 3.51 | 3.34 | 3.17 | 3.03 | 2.88 | 2.74 | 2.61 |
| 76 | 4.38 | 4.17 | 3.97 | 3.77 | 3.58 | 3.40 | 3.23 | 3.07 | 2.92 | 2.77 |
| 75 | 4.70 | 4.47 | 4.25 | 4.04 | 3.84 | 3.64 | 3.46 | 3.28 | 3.11 | 2.94 |
| 74 | 5.09 | 4.83 | 4.59 | 4.35 | 4.12 | 3.90 | 3.70 | 3.51 | 3.32 | 3.14 |

| | | | | | | | | | | |
|----|---------|---------|---------|---------|---------|---------|---------|---------|---------|---------|
| 73 | 5.49 | 5.21 | 4.94 | 4.68 | 4.43 | 4.19 | 3.97 | 3.75 | 3.54 | 3.34 |
| 72 | 5.93 | 5.62 | 5.33 | 5.04 | 4.77 | 4.50 | 4.26 | 4.02 | 3.80 | 3.57 |
| 71 | 6.49 | 6.13 | 5.79 | 5.46 | 5.14 | 4.84 | 4.57 | 4.32 | 4.07 | 3.83 |
| 70 | 7.00 | 6.61 | 6.24 | 5.88 | 5.53 | 5.20 | 4.91 | 4.63 | 4.35 | 4.09 |
| 69 | 7.59 | 7.16 | 6.75 | 6.35 | 5.96 | 5.59 | 5.27 | 4.97 | 4.67 | 4.38 |
| 68 | 8.20 | 7.73 | 7.28 | 6.84 | 6.42 | 6.01 | 5.67 | 5.34 | 5.01 | 4.70 |
| 67 | 8.82 | 8.32 | 7.83 | 7.36 | 6.91 | 6.47 | 6.10 | 5.74 | 5.38 | 5.04 |
| 66 | 9.60 | 9.03 | 8.49 | 7.96 | 7.46 | 6.97 | 6.57 | 6.18 | 5.80 | 5.43 |
| 65 | 10.40 | 9.78 | 9.18 | 8.61 | 8.06 | 7.52 | 7.08 | 6.65 | 6.24 | 5.84 |
| 64 | 11.30 | 10.62 | 9.96 | 9.33 | 8.72 | 8.13 | 7.65 | 7.19 | 6.74 | 6.30 |
| 63 | 12.30 | 11.55 | 10.82 | 10.12 | 9.45 | 8.80 | 8.27 | 7.75 | 7.26 | 6.78 |
| 62 | 13.30 | 12.49 | 11.71 | 10.96 | 10.23 | 9.53 | 8.96 | 8.41 | 7.87 | 7.35 |
| 61 | 14.60 | 13.69 | 12.81 | 11.97 | 11.15 | 10.36 | 9.73 | 9.12 | 8.53 | 7.96 |
| 60 | 16.00 | 14.99 | 14.02 | 13.08 | 12.17 | 11.30 | 10.61 | 9.94 | 9.29 | 8.66 |
| 59 | 17.60 | 16.48 | 15.40 | 14.35 | 13.35 | 12.38 | 11.61 | 10.87 | 10.15 | 9.46 |
| 58 | 19.40 | 18.15 | 16.95 | 15.79 | 14.68 | 13.60 | 12.75 | 11.93 | 11.13 | 10.36 |
| 57 | 21.60 | 20.18 | 18.81 | 17.49 | 16.22 | 14.99 | 14.05 | 13.14 | 12.26 | 11.41 |
| 56 | 24.00 | 22.40 | 20.86 | 19.37 | 17.94 | 16.55 | 15.50 | 14.48 | 13.50 | 12.54 |
| 55 | 26.60 | 24.81 | 23.10 | 21.44 | 19.84 | 18.30 | 17.13 | 16.00 | 14.90 | 13.83 |
| 54 | 29.60 | 27.59 | 25.66 | 23.81 | 22.01 | 20.28 | 18.96 | 17.69 | 16.46 | 15.26 |
| 53 | 33.00 | 30.74 | 28.57 | 26.48 | 24.46 | 22.52 | 21.04 | 19.62 | 18.24 | 16.90 |
| 52 | 36.90 | 34.35 | 31.90 | 29.53 | 27.25 | 25.05 | 23.38 | 21.77 | 20.21 | 18.69 |
| 51 | 41.00 | 38.18 | 35.47 | 32.86 | 30.34 | 27.90 | 26.03 | 24.22 | 22.46 | 20.76 |
| 50 | 45.80 | 42.62 | 39.55 | 36.60 | 33.75 | 31.00 | 28.91 | 26.89 | 24.93 | 23.03 |
| 49 | 50.70 | 47.20 | 43.83 | 40.59 | 37.45 | 34.43 | 32.08 | 29.81 | 27.61 | 25.47 |
| 48 | 56.70 | 52.72 | 48.90 | 45.21 | 41.66 | 38.22 | 35.62 | 33.10 | 30.67 | 28.30 |
| 47 | 64.00 | 59.37 | 54.91 | 50.61 | 46.46 | 42.46 | 39.57 | 36.78 | 34.07 | 31.45 |
| 46 | 71.00 | 65.89 | 60.97 | 56.22 | 51.65 | 47.23 | 43.99 | 40.85 | 37.81 | 34.86 |
| 45 | 80.00 | 74.13 | 68.48 | 63.03 | 57.78 | 52.70 | 49.02 | 45.46 | 42.00 | 38.65 |
| 44 | 89.00 | 82.54 | 76.32 | 70.33 | 64.54 | 58.96 | 54.75 | 50.69 | 46.74 | 42.92 |
| 43 | 101.00 | 93.48 | 86.25 | 79.28 | 72.55 | 66.06 | 61.28 | 56.65 | 52.17 | 47.82 |
| 42 | 115.00 | 106.23 | 97.79 | 89.66 | 81.81 | 74.23 | 68.69 | 63.33 | 58.14 | 53.10 |
| 41 | 131.00 | 120.81 | 111.01 | 101.56 | 92.44 | 83.64 | 77.33 | 71.23 | 65.31 | 59.57 |
| 40 | 149.90 | 138.01 | 126.56 | 115.53 | 104.88 | 94.60 | 87.37 | 80.37 | 73.58 | 66.99 |
| 39 | 170.00 | 156.52 | 143.54 | 131.04 | 118.97 | 107.32 | 99.08 | 91.11 | 83.38 | 75.88 |
| 38 | 196.00 | 180.09 | 164.79 | 150.04 | 135.81 | 122.06 | 112.71 | 103.65 | 94.88 | 86.37 |
| 37 | 225.00 | 206.61 | 188.92 | 171.87 | 155.41 | 139.52 | 128.86 | 118.54 | 108.53 | 98.82 |
| 36 | 260.00 | 238.50 | 217.80 | 197.86 | 178.62 | 160.04 | 147.90 | 136.16 | 124.77 | 113.73 |
| 35 | 302.00 | 276.83 | 252.61 | 229.27 | 206.76 | 185.00 | 170.96 | 157.37 | 144.19 | 131.41 |
| 34 | 352.00 | 322.66 | 294.42 | 267.21 | 240.96 | 215.59 | 199.30 | 183.53 | 168.24 | 153.40 |
| 33 | 415.00 | 380.13 | 346.58 | 314.24 | 283.04 | 252.90 | 233.57 | 214.84 | 196.70 | 179.09 |
| 32 | 490.00 | 448.82 | 409.19 | 371.01 | 334.16 | 298.57 | 275.69 | 253.53 | 232.06 | 211.23 |
| 31 | 580.00 | 531.32 | 484.48 | 439.35 | 395.79 | 353.72 | 326.76 | 300.66 | 275.37 | 250.83 |
| 30 | 693.69 | 634.81 | 578.16 | 523.57 | 470.89 | 420.00 | 387.67 | 356.36 | 326.02 | 296.58 |
| 29 | 821.00 | 751.60 | 684.82 | 620.48 | 558.38 | 498.40 | 459.39 | 421.61 | 385.00 | 349.49 |
| 28 | 982.00 | 898.01 | 817.20 | 739.32 | 664.18 | 591.58 | 544.87 | 499.65 | 455.82 | 413.29 |
| 27 | 1190.00 | 1085.85 | 985.63 | 889.06 | 795.87 | 705.85 | 649.51 | 594.96 | 542.09 | 490.80 |
| 26 | 1420.00 | 1297.43 | 1179.49 | 1065.83 | 956.17 | 850.22 | 781.68 | 715.32 | 651.00 | 588.59 |
| 25 | 1750.00 | 1597.27 | 1450.30 | 1308.67 | 1172.02 | 1040.00 | 954.91 | 872.53 | 792.68 | 715.22 |
| 24 | 2200.00 | 2005.83 | 1818.99 | 1638.94 | 1465.21 | 1297.38 | 1189.66 | 1085.37 | 984.29 | 886.22 |
| 23 | 2800.00 | 2551.47 | 2312.32 | 2081.87 | 1859.50 | 1644.68 | 1506.06 | 1371.84 | 1241.75 | 1115.55 |
| 22 | 3590.00 | 3270.74 | 2963.54 | 2667.51 | 2381.86 | 2105.90 | 1925.97 | 1751.75 | 1582.89 | 1419.07 |
| 21 | 4600.00 | 4191.56 | 3798.54 | 3419.81 | 3054.38 | 2701.33 | 2467.06 | 2240.24 | 2020.39 | 1807.10 |
| 20 | 5915.63 | 5385.23 | 4874.84 | 4383.03 | 3908.47 | 3450.00 | 3152.84 | 2865.12 | 2586.25 | 2315.70 |

| | | | | | | | | | | | |
|----|---------|---------|---------|---------|---------|---------|---------|---------|--------|--------|--------|
| 43 | 43.60 | 40.77 | 38.02 | 35.35 | 32.74 | 30.20 | 28.45 | 26.73 | 25.06 | 23.43 | 21.83 |
| 42 | 48.20 | 45.06 | 42.00 | 39.02 | 36.13 | 33.30 | 31.40 | 29.55 | 27.74 | 25.97 | 24.25 |
| 41 | 54.00 | 50.43 | 46.97 | 43.59 | 40.30 | 37.10 | 34.98 | 32.92 | 30.90 | 28.93 | 27.00 |
| 40 | 60.60 | 56.63 | 52.78 | 49.02 | 45.36 | 41.80 | 39.36 | 36.98 | 34.66 | 32.39 | 30.17 |
| 39 | 68.60 | 64.04 | 59.61 | 55.30 | 51.10 | 47.00 | 44.23 | 41.53 | 38.89 | 36.31 | 33.78 |
| 38 | 78.10 | 72.70 | 67.45 | 62.33 | 57.35 | 52.50 | 49.44 | 46.45 | 43.54 | 40.69 | 37.90 |
| 37 | 89.40 | 82.99 | 76.75 | 70.68 | 64.76 | 59.00 | 55.58 | 52.24 | 48.98 | 45.80 | 42.68 |
| 36 | 103.00 | 95.43 | 88.06 | 80.89 | 73.91 | 67.10 | 63.17 | 59.33 | 55.59 | 51.93 | 48.35 |
| 35 | 119.00 | 110.35 | 101.94 | 93.75 | 85.77 | 78.00 | 73.18 | 68.47 | 63.88 | 59.39 | 55.00 |
| 34 | 139.00 | 129.32 | 119.90 | 110.73 | 101.80 | 93.10 | 86.80 | 80.66 | 74.66 | 68.80 | 63.07 |
| 33 | 162.00 | 149.97 | 138.28 | 126.90 | 115.81 | 105.00 | 98.24 | 91.63 | 85.19 | 78.89 | 72.73 |
| 32 | 191.00 | 176.44 | 162.29 | 148.50 | 135.08 | 122.00 | 114.10 | 106.40 | 98.87 | 91.52 | 84.34 |
| 31 | 227.00 | 209.28 | 192.04 | 175.27 | 158.93 | 143.00 | 133.62 | 124.46 | 115.52 | 106.79 | 98.25 |
| 30 | 268.00 | 247.75 | 228.05 | 208.88 | 190.20 | 172.00 | 160.04 | 148.37 | 136.97 | 125.83 | 114.95 |
| 29 | 315.00 | 291.16 | 267.97 | 245.41 | 223.43 | 202.00 | 187.96 | 174.26 | 160.88 | 147.81 | 135.03 |
| 28 | 372.00 | 342.25 | 313.32 | 285.16 | 257.73 | 231.00 | 215.94 | 201.25 | 186.90 | 172.88 | 159.17 |
| 27 | 441.00 | 404.50 | 369.01 | 334.45 | 300.80 | 268.00 | 251.39 | 235.18 | 219.35 | 203.88 | 188.76 |
| 26 | 528.00 | 484.54 | 442.27 | 401.13 | 361.06 | 322.00 | 301.66 | 281.81 | 262.43 | 243.49 | 224.98 |
| 25 | 640.00 | 590.21 | 541.79 | 494.65 | 448.75 | 404.00 | 375.91 | 348.49 | 321.72 | 295.57 | 270.00 |
| 24 | 791.00 | 735.73 | 681.97 | 629.64 | 578.68 | 529.00 | 486.67 | 445.36 | 405.02 | 365.60 | 327.08 |
| 23 | 993.00 | 926.97 | 862.74 | 800.23 | 739.35 | 680.00 | 621.22 | 563.85 | 507.84 | 453.11 | 399.61 |
| 22 | 1260.00 | 1171.18 | 1084.80 | 1000.72 | 918.82 | 839.00 | 766.05 | 694.86 | 625.34 | 557.42 | 491.03 |
| 21 | 1600.00 | 1476.79 | 1356.97 | 1240.33 | 1126.73 | 1016.00 | 929.53 | 845.14 | 762.74 | 682.23 | 603.53 |
| 20 | 2053.00 | 1880.43 | 1712.58 | 1549.22 | 1390.09 | 1235.00 | 1131.26 | 1030.03 | 931.17 | 834.59 | 740.18 |

JF00302364



GREE ELECTRIC APPLIANCES,INC.OF ZHUHAI

Add: West Jinji Rd, Qianshan, Zhuhai, Guangdong, China 519070

Tel: (+86-756) 8522218 Fax: (+86-756) 8669426

Email: gree@gree.com.cn [Http://www.gree.com](http://www.gree.com)

HONG KONG GREE ELECTRIC APPLIANCES SALES LIMITED

Add: Unit 2612,26/F.,Miramar Tower 132 Nathan Road,TST,Kowloon,HK

Tel: (852) 31658898 Fax: (852) 31651029

For product improvement, specifications and appearance in this manual are subject to change without prior notice.